

**RIDERSERIES RCI
SRC-I QV S**

Weidmüller Interface GmbH & Co. KG
Klingenbergstraße 26
D-32758 Detmold
Germany
Fon: +49 5231 14-0
Fax: +49 5231 14-292083
www.weidmueller.com

Product image

In an industrial environment, service work needs to be carried out quickly, simply and reliably. If components are replaced, bended relay contacts often cause errors which are difficult to locate.

As the handling of components in practice plays an increasingly important role, DRI relays have particularly stable plug contacts for quick and safe mounting. The test button with latching in end position can be operated tool-free. An easily visible, LED illuminated status display also allows clear determination of status.

Both during installation of the cabinet and during subsequent servicing in the machinery and plant engineering sector, DRI relays are the optimum coupling element for confined installation conditions.

General ordering data

Type	SRC-I QV S
Order No.	1132070000
Version	RIDERSERIES RCI, Cross-connector
GTIN (EAN)	40322489 12087
Qty.	10 pc(s).

**RIDERSERIES RCI
SRC-I QV S**

Weidmüller Interface GmbH & Co. KG
 Klingenbergstraße 26
 D-32758 Detmold
 Germany
 Fon: +49 5231 14-0
 Fax: +49 5231 14-292083
 www.weidmueller.com

Technical data**Dimensions and weights**

Net weight	6.6 g
------------	-------

Temperatures

Operating temperature, max.	85 °C	Operating temperature, min.	-40 °C
Storage temperature, max.	85 °C	Storage temperature, min.	-40 °C
Operating temperature	-40 °C...85 °C	Storage temperature	-40 °C...85 °C

Environmental Product Compliance

REACH SVHC	Lead 7439-92-1
------------	----------------

Cross-connection data

Rated current	12 A	Insulation	Yes
Touch-safe protection	Yes	Colour	white
Number of cross-connected terminals	8	Pitch in mm (P)	15.2 mm
Version	can be cut to length		

General data

Version	can be cut to length	Colour	white
---------	----------------------	--------	-------

Connection data

Pitch in mm (P)	15.2 mm
-----------------	---------

Classifications

ETIM 6.0	EC002586	ETIM 7.0	EC002586
eClass 9.1	27-37-16-92	eClass 10.0	27-37-16-92

Approvals

Approvals



ROHS	Conform
------	---------

Downloads

Brochure/Catalogue	CAT 4.2 ELECTR 18/19 EN
Engineering Data	EPLAN, WSCAD
Engineering Data	STEP

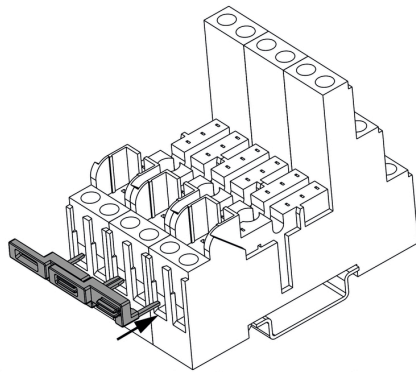
**RIDERSERIES RCI
SRC-I QV S**

Weidmüller Interface GmbH & Co. KG
 Klingenbergstraße 26
 D-32758 Detmold
 Germany
 Fon: +49 5231 14-0
 Fax: +49 5231 14-292083
 www.weidmueller.com

Drawings

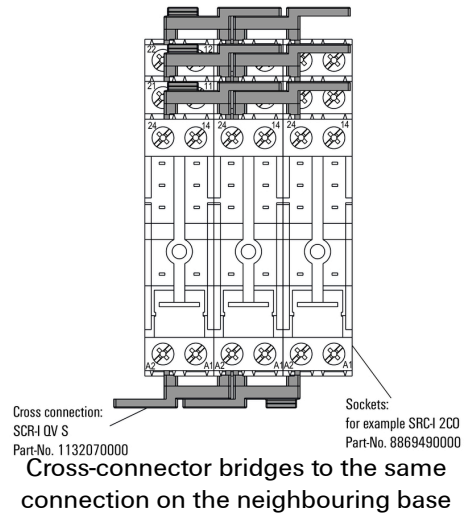
Example of use

How to install cross connection



Plug the cross connection into wire-connection opening
 and fix it with tighten the screw
 Plug the cross-connection in the cable connections

Example of use



Cross-connector bridges to the same connection on the neighbouring base