

**MICRO SWITCH**  
 FREEPORT ILLINOIS U.S.A.  
 A DIVISION OF HONEYWELL  
 FED. MFG. CODE 91929

**SWITCH - TOGGLE**

CATALOG LISTING  
**112TW226 SERIES**  
**CHART 1**

CATALOG LISTING

CIRCUIT MADE WITH TOGGLE LEVER IN  
 KEYWAY SIDE (1-2,4-5) CENTER (1-2,4-5) OPPOSITE KEYWAY (2-3,5-6)

ELECTRICAL RATING

5 VDC .01 AMP

112TW226-1	ON	OFF	ON
112TW226-2	OFF	NONE	ON
Ⓢ	ON	NONE	ON
112TW226-21	NONE	OFF	ON
112TW226-31	NONE	ON	ON
112TW226-4	MOM OFF	NONE	ON
112TW226-5	MOM ON	OFF	ON
112TW226-6	MOM ON	NONE	OFF
112TW226-7	MOM ON	OFF	MOM ON
112TW226-8	MOM ON	NONE	ON
112TW226-51	NONE	ON	MOM ON
112TW226-61	MOM ON	OFF	NONE

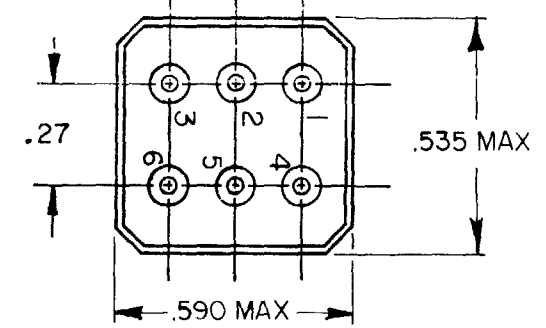
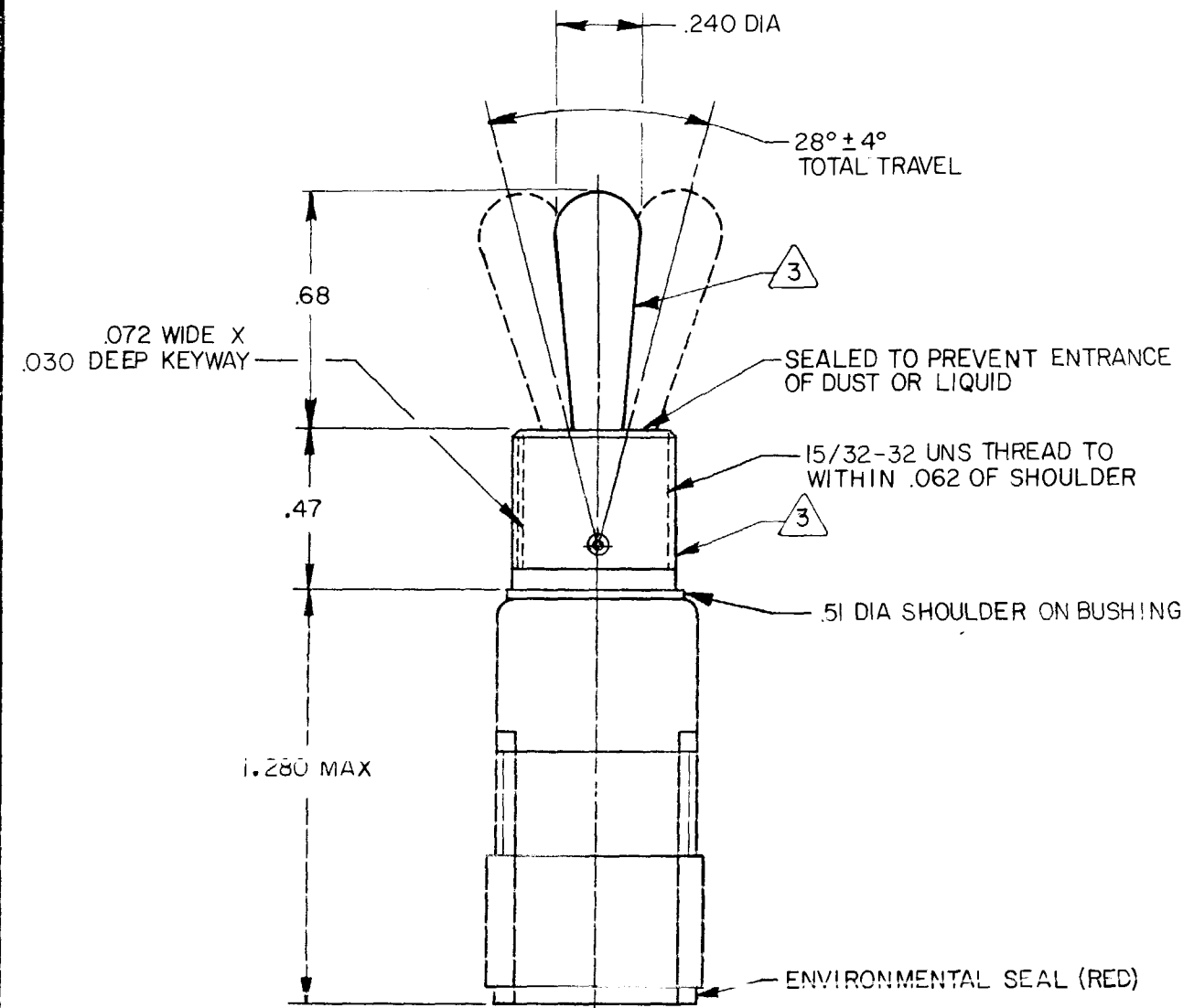
CATALOG LISTING  
**112TW226 SERIES**  
**CHART 1**  
 PAGE 1 OF 1

**M**  
 DRAWING NUMBER  
**8**  
 ISSUE

REVISIONS  
 A PR-12546  
 KEW  
 28 NOV 83  
 B CO-55602  
 WJM  
 6 JUL 84  
 C CO-95308  
 CSL  
 9 NOV 99

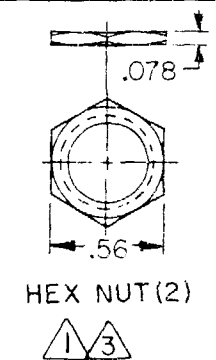
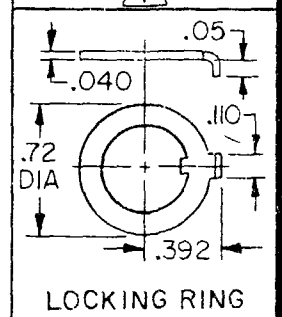
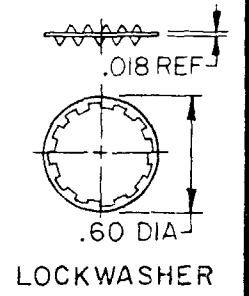
FORMTEK  
 FO-52851  
 DRAWN  
 KEW  
 28 NOV 83  
 CHECK

RELEASE NO. PR-12546  
 REPLACES



SCALE 2:1  
 DO NOT SCALE PRINT  
 UNLESS OTHERWISE NOTED  
 DIMENSIONS ARE IN INCHES  
**TOLERANCES ARE:**  
 ONE PLACE (.0) ±.030  
 TWO PLACE (.00) ±.015  
 THREE PLACE (.000) ±.008  
 ANGLES  
 WEIGHT 1.0 OZ MAX

**NOTES**  
 1 FURNISHED UNASSEMBLED  
 2 - TERMINATION WILL ACCEPT CRIMP CONTACT  
 CONFORMING TO M39029/1-101  
 3 MATTE NICKEL FINISH



Furnished under United States Government Contract No. \_\_\_\_\_  
 Shall not be either released outside the Government, or used, duplicated or disclosed in whole or in part for manufacture or procurement, without the written permission of MICRO SWITCH, A Division of Honeywell, except for: (I) emergency repair or overhaul work by or for the Government, where the item or process concerned is not otherwise reasonably available to enable timely performance of the work; or (II) release to a foreign government, as the interests of the United States may require; provided that in either case the release, use, duplication or disclosure hereof shall be marked on any reproduction hereof in whole or in part.