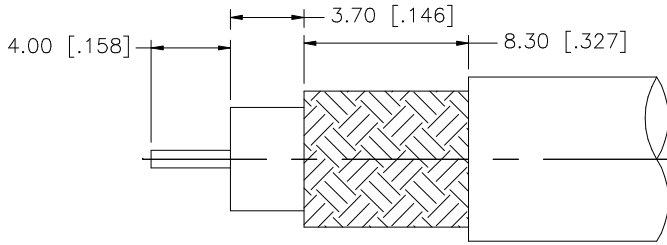
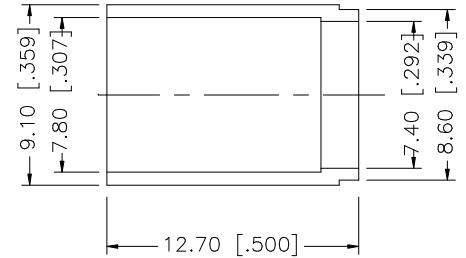
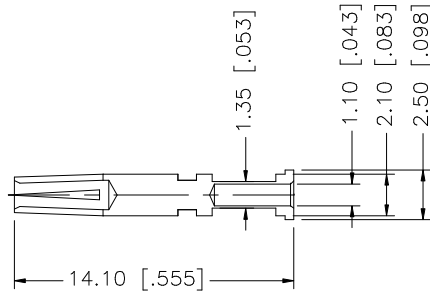
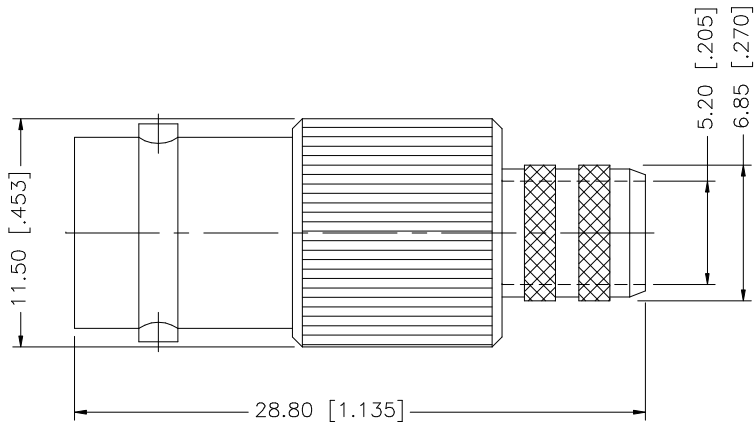


REV.	DATE	DESCRIPTION
A	03/18/05	UPDATE DRAWING FORMAT



RECOMMENDED
CABLE STRIPPING DIM'S



NOTE:
USE .320 HEX DIE SET
FOR OUTER CRIMP.
CONNEX P/N 47-10100
IDEAL P/N 30-503

DESCRIPTION	MATERIAL	FINISH	QTY
8			
7			
6			
5	FERRULE	COPPER	NICKEL 1
4	CONTACT PIN	PHOS. BRONZE	GOLD 1
3	INSULATOR	TEFLON	NATURAL 1
2	BODY	BRASS	NICKEL 1
1	HOUSING	BRASS	NICKEL 1

UNLESS OTHERWISE SPECIFIED DIMENSIONS ARE IN MILLIMETERS. DIMENSIONS IN [] ARE IN INCHES AND FOR CUSTOMER REFERENCE ONLY.

UNLESS OTHERWISE SPECIFIED TOLERANCES FOR MILLIMETERS ARE:
0.5 - 8mm ± 0.20mm
8 - 30mm ± 0.40mm
30 - 120mm ± 0.50mm

UNLESS OTHERWISE SPECIFIED TOLERANCES FOR INCHES ARE:
.020 - .315 = ± 0.007"
.315 - 1.180 = ± 0.015"
1.180 - 4.724 = ± 0.020"

DO NOT SCALE DRAWING

APPROVALS	DATE
DRAWN G.R.S.	03/18/05
CHECKED	
ISSUED	
SHEET 1 OF 1	
CAD FILE C:/112/112965.DWG	

<h1 style="color: blue; text-align: center;">Amphenol Connex</h1>			
		BNC CRIMP JACK (FOR RG-6 BELDEN 1694A CABLE)	
PART DESCRIPTION		PART NO.	
		112965	
DWG. NO.	112965.DWG	REV.	A
SIZE	A	SCALE	NA