



RAF ELECTRONIC
HARDWARE

a Division of MW Industries, Inc.



[ABOUT US](#) [WHAT'S NEW](#) [CONTACT US](#) [SERVICES](#) [QUALITY](#) [SITE MAP](#)

- [HOME](#)
- [PRODUCTS](#)
- [ONLINE CATALOG](#)
- [REQUEST QUOTE](#)
- [ORDER ONLINE](#)
- [CHECK STOCK](#)
- [REQUEST PRINT CATALOG](#)
- [REQUEST SAMPLES](#)
- [ENGINEERING DATA](#)
- [DISTRIBUTORS](#)
- [CAPABILITIES BROCHURE](#)

CALL NOW:
203 888-2133



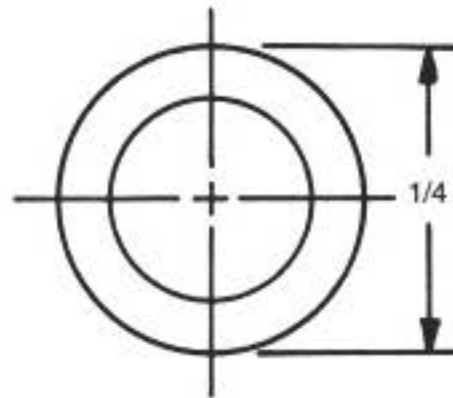
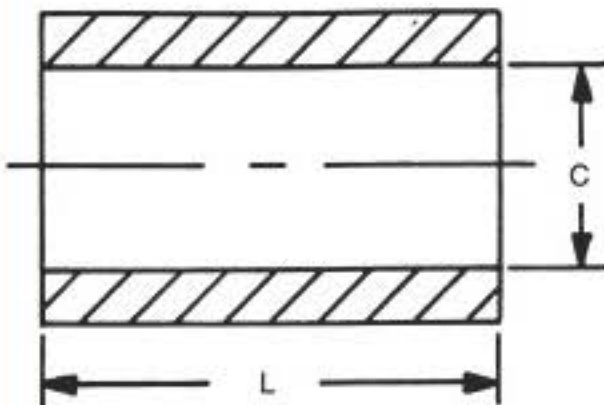
PART NO. SEARCH - ENTER 3-4
CHARS:

ENTER

Catalogs: [ASE](#) | [Metric](#) | [Handles & Ferrules](#)

1/4 Round Spacers

[Home](#) [Previous](#) [Next](#)
[Related Metrics](#)



| Ordering Code | | | |
|---------------|----------------|----------|--------|
| xxxx | x | x | x |
| | | | |
| | Clearance Hole | | Finish |
| Length | | Material | |

PART: ????-?-?

Red ?'s show missing selections. [Help](#)

| Select | Part No. | Length |
|-----------------------|----------|--------|
| <input type="radio"/> | 1122A | 3/32 |
| <input type="radio"/> | 1122 | 1/8 |
| <input type="radio"/> | 1122T | 5/32 |
| <input type="radio"/> | 1123 | 3/16 |
| <input type="radio"/> | 1123T | 7/32 |
| <input type="radio"/> | 1124 | 1/4 |
| <input type="radio"/> | 1124T | 9/32 |
| <input type="radio"/> | 1125 | 5/16 |
| <input type="radio"/> | 1125T | 11/32 |
| <input type="radio"/> | 1126 | 3/8 |
| <input type="radio"/> | 1126T | 13/32 |
| <input type="radio"/> | 1127 | 7/16 |
| <input type="radio"/> | 1127T | 15/32 |
| <input type="radio"/> | 1128 | 1/2 |
| <input type="radio"/> | 1128T | 17/32 |

| Select | Part No. | Length |
|-----------------------|----------|--------|
| <input type="radio"/> | 1129 | 9/16 |
| <input type="radio"/> | 1129T | 19/32 |
| <input type="radio"/> | 1130 | 5/8 |
| <input type="radio"/> | 1130T | 21/32 |
| <input type="radio"/> | 1131 | 11/16 |
| <input type="radio"/> | 1131T | 23/32 |
| <input type="radio"/> | 1132 | 3/4 |
| <input type="radio"/> | 1132T | 25/32 |
| <input type="radio"/> | 1133 | 13/16 |
| <input type="radio"/> | 1133T | 27/32 |
| <input type="radio"/> | 1134 | 7/8 |
| <input type="radio"/> | 1134T | 29/32 |
| <input type="radio"/> | 1135 | 15/16 |
| <input type="radio"/> | 1135T | 31/32 |
| <input type="radio"/> | 1136 | 1" |

| Select | Part No. | Length |
|-----------------------|----------|---------|
| <input type="radio"/> | 1137 | 1-1/16 |
| <input type="radio"/> | 1138 | 1-1/8 |
| <input type="radio"/> | 1139 | 1-3/16 |
| <input type="radio"/> | 1140 | 1-1/4 |
| <input type="radio"/> | 1141 | 1-5/16 |
| <input type="radio"/> | 1142 | 1-3/8 |
| <input type="radio"/> | 1143 | 1-7/16 |
| <input type="radio"/> | 1144 | 1-1/2 |
| <input type="radio"/> | 1145 | 1-9/16 |
| <input type="radio"/> | 1146 | 1-5/8 |
| <input type="radio"/> | 1147 | 1-11/16 |
| <input type="radio"/> | 1148 | 1-3/4 |
| <input type="radio"/> | 1149 | 1-13/16 |
| <input type="radio"/> | 1150 | 1-7/8 |
| <input type="radio"/> | 1151 | 1-15/16 |
| <input type="radio"/> | 1152 | 2" |

| Hole Clearance Code | | |
|-----------------------|------|------------------|
| Select | Code | +0.010 -0.000 |
| <input type="radio"/> | 2 | .090 |
| <input type="radio"/> | 4 | .115 |
| <input type="radio"/> | 6 | .140 |
| <input type="radio"/> | 8 | .166 |

| Select | Code | Material | RoHS |
|-----------------------|------|-----------------|------|
| <input type="radio"/> | AL | Aluminum | YES |
| <input type="radio"/> | B | Brass | YES |
| <input type="radio"/> | SS | Stainless Steel | YES |
| <input type="radio"/> | S | Steel | YES |
| <input type="radio"/> | N | Nylon | YES |
| <input type="radio"/> | PH | Phenolic | YES |

[Material Specifications](#)

SELECT FINISH:

select a material first

* Finishes ending with an asterisk are not RoHS Compliant

[Ordering non-standard items](#)

[HOME](#) | [PRODUCTS](#) | [ONLINE CATALOG](#) | [REQUEST QUOTE](#) | [ORDER ONLINE](#) | [CHECK STOCK](#) | [CONTACT US](#) | [SITE MAP](#)

© RAF Electronic Hardware, a Division of MW Industries | 95 Silvermine Rd., Seymour CT 06483 | Tel 203-888-2133 | Fax 203-888-9860