

MICRO SWITCH

A DIVISION OF MINNEAPOLIS-HONEYWELL REGULATOR COMPANY
 ST. LOUIS, MISSOURI

FED. MFR. CODE 91929

SWITCH-BASIC

CATALOG LISTING
111SM1-H2

111SM1-H2

M

DRAWING NUMBER

7

ISSUE

X X X

REPLACES

RELEASE NO. SR 9736

CHECK

REVISIONS

A	CO18117	JAN 26 JUN 63
B	CO24706	GFS 28 SEPT 68
C	CO29449	R C R 12 SEPT 72
D	CO-36673	K SW 19 FEB 76
E	CO-77788	SAD 12 JUL 94
F	CO79612	SAD 11 APR 95

DES

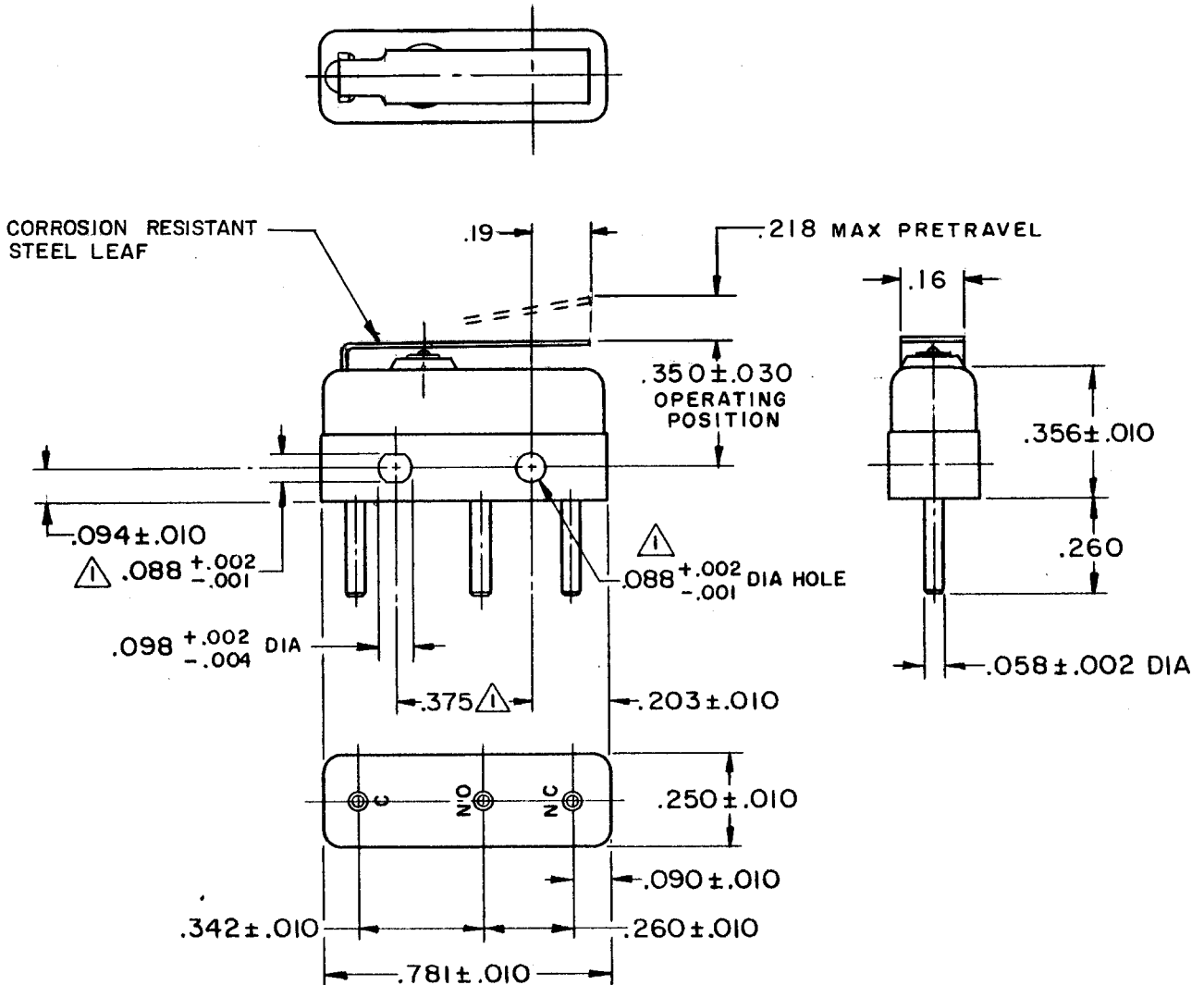
CHECK

DAW

CHECK

DAW

MBF



NOTE -

- 1 - MOUNTING HOLES WILL ACCEPT PINS OR SCREWS OF .087 MAX DIA ON .375 ± .002 CENTERS
- 2 - PLATED TERMINALS WILL ACCEPT AIRCRAFT MARINE PRODUCTS CO NO. 42429 CONNECTOR

THIS DRAWING COVERS A PROPRIETARY ITEM AND IS THE PROPERTY OF MICRO SWITCH, A DIVISION OF MINNEAPOLIS-HONEYWELL REGULATOR CO. THIS DRAWING IS NOT TO BE COPIED OR USED WITHOUT THE APPROVAL OF MICRO SWITCH.

CHARACTERISTICS

OPERATING FORCE ----- 7 OZ MAX
 RELEASE FORCE ----- 2 OZ MIN
 DIFFERENTIAL TRAVEL ----- .030 MAX
 OVERTRAVEL ----- .030 MIN

ELECTRICAL DATA

CONTACT ARRANGEMENT
 S P D T

30 VOLTS DC RATING

INDUCTIVE ----- SEA LEVEL ----- 3 AMP
 50,000 FT. ----- 2.5 AMP

RESISTIVE ----- SEA LEVEL ----- 5 AMP
 50,000 FT. ----- 5 AMP

MAXIMUM INRUSH ----- 24 AMP

SCALE 2 TO 1

DO NOT SCALE PRINT

UNLESS OTHERWISE SPECIFIED
 DIMENSIONS ARE IN INCHES
TOLERANCES ARE:
 ONE PLACE (.0) ± .030
 TWO PLACE (.00) ± .015
 THREE PLACE (.000) ± .005
 ANGLES ±

WEIGHT .006 LB MAX

L4

5A 250 VAC ~ **MC**