



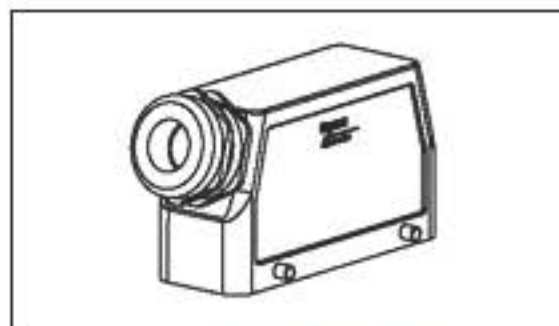
Search bar: What can we help you find?

- Products
- Industries
- Resources
- About TE
- My Account
- Innovation
- Support Center

Home > Products > Rectangular Industrial Products > Product Feature Selector > Product Details

### 1-1102135-7 Product Details

Share | Print | Email



1-1102135-7

#### HTS Connectors and Accessories

Always EU RoHS/ELV Compliant (Statement of Compliance)

##### Product Highlights:

- HA.16 Series
- Accessory
- Accessory Type = Hood
- Product Size = 5
- Locking Device Type = Side Clip at Housing Bottom

[View all Features](#)

##### Quick Links

- ▶ Pricing & Availability
- ▶ Search for Tooling
- ▶ Product Feature Selector
- ▶ Contact Us About This Product

TE Internal Number: 1-1102135-7

Active

[Add to My Part List](#) | [Request Sample](#) | [Find Similar Products](#) | [Buy Product](#)

#### Documentation & Additional Information

##### Product Drawings:

- None Available

##### Catalog Pages/Data Sheets:

- None Available

##### Product Specifications:

- None Available

##### Application Specifications:

- None Available

##### Instruction Sheets:

- None Available

##### CAD Files:

- None Available

##### Additional Information:

- Product Line Information

##### Related Products:

- Tooling

#### Product Features (Please use the Product Drawing for all design activity)

##### Product Type Features:

- Series = HA.16
- Product Type = Accessory
- Accessory Type = Hood
- Product Size = 5
- Thread Size = PG16

##### Body Features:

- Entry Style = Side
- Dimensions (L x H x W) (mm [in]) = 91.8 x 57.3 x 29 [3.61 x 2.26 x .75]
- Material = Die Cast Aluminum

##### Contact Features:

- Corrosion Protected = No

##### Configuration Features:

- Locking Device Type = Side Clip at Housing Bottom

##### Industry Standards:

- RoHS/ELV Compliance = RoHS compliant, ELV compliant
- Lead Free Solder Processes = Not relevant for lead free process
- RoHS/ELV Compliance History = Always was RoHS compliant

##### Packaging Features:

- Packaging Method = Loose Piece
- Packaging Quantity = 5

##### Other:

- Brand = AMP
- Comment = Hood assembly includes cable adapter.

#### Corporate Information

- About TE
- Investors
- News Room
- Supplier Portal
- Careers
- Terms & Conditions
- Privacy Policy

#### Quick Links

- Distributor Inventory
- Product Cross Reference
- Documents & Drawings
- Product Compliance Support Center
- Site Map

#### Customer Support

- Email or Chat With Us
- Find a Phone Number
- Knowledge Base
- Manage Your Account

#### Keep Me Informed

Receive TE News, Events & Technology Updates

Enter your email address

