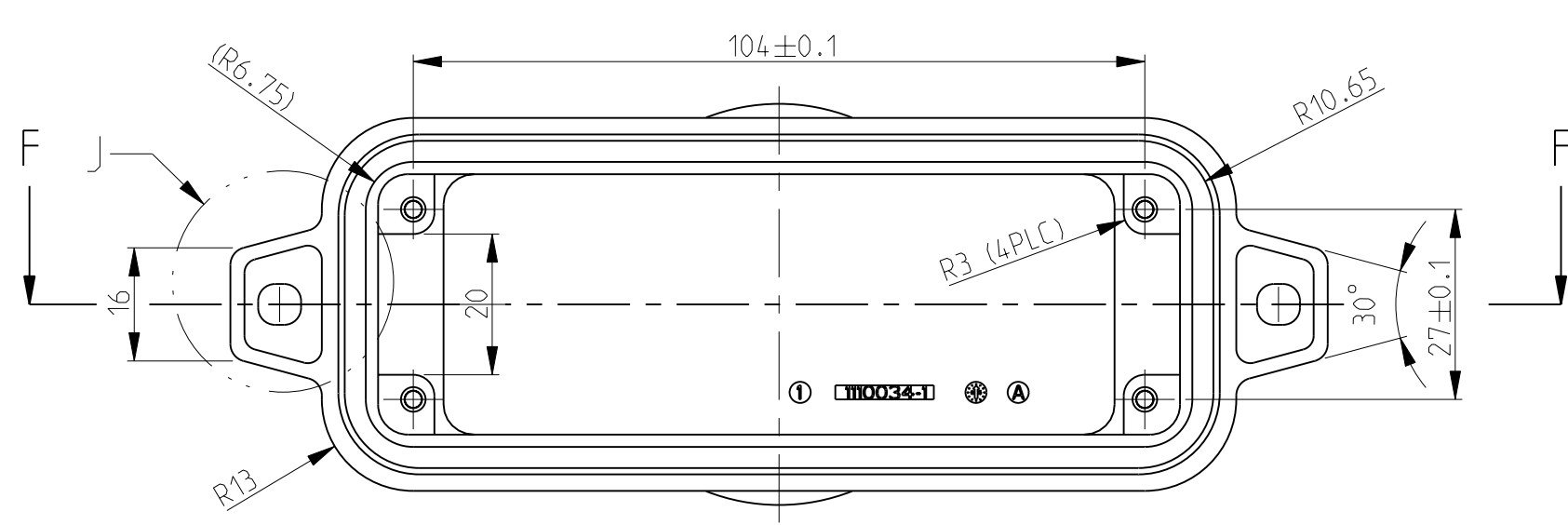
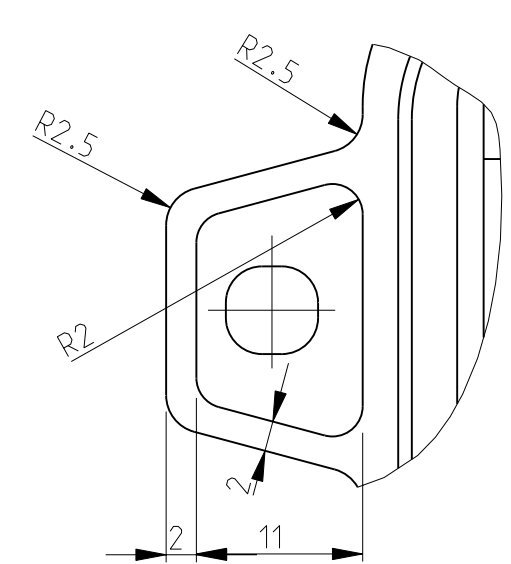


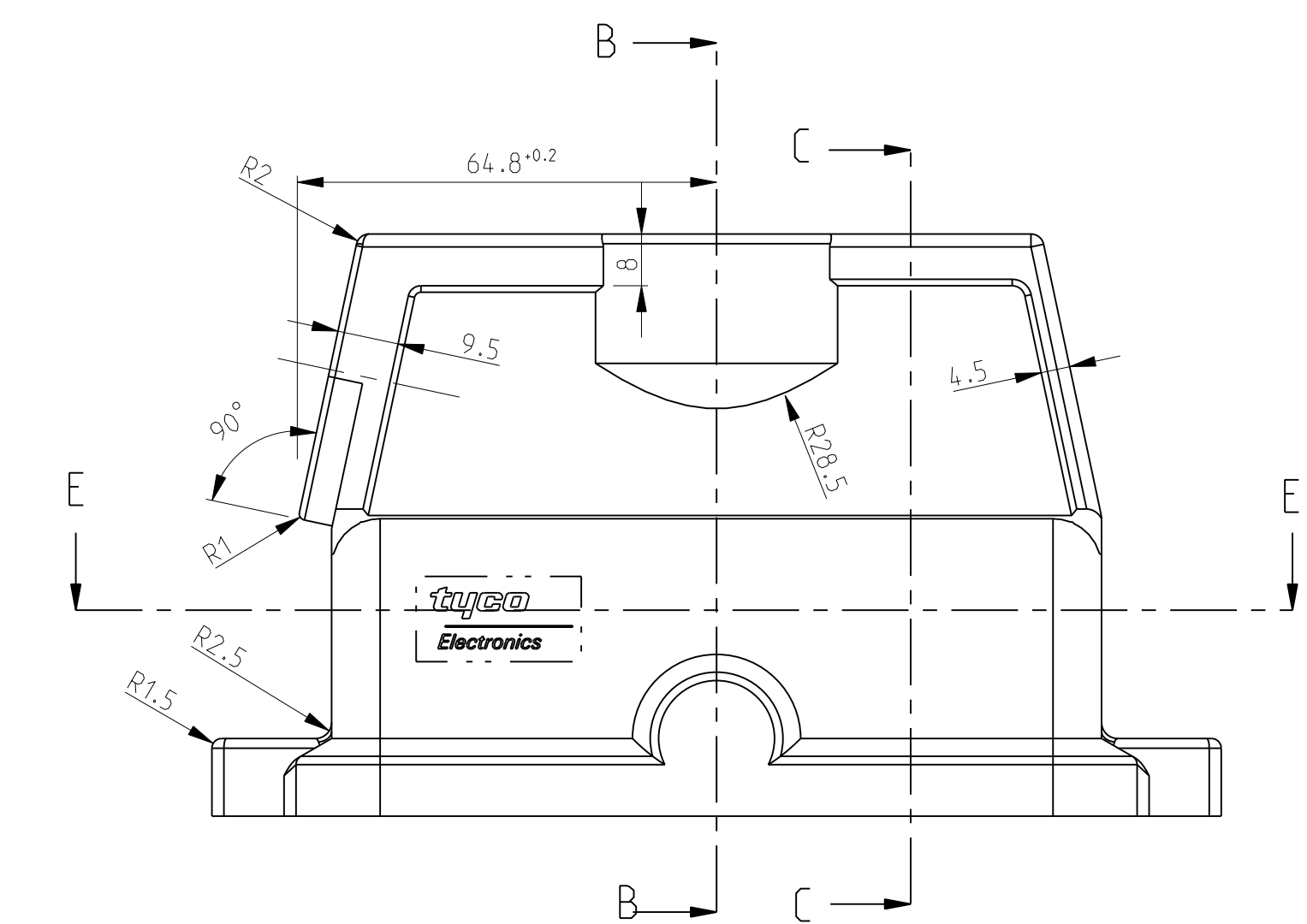
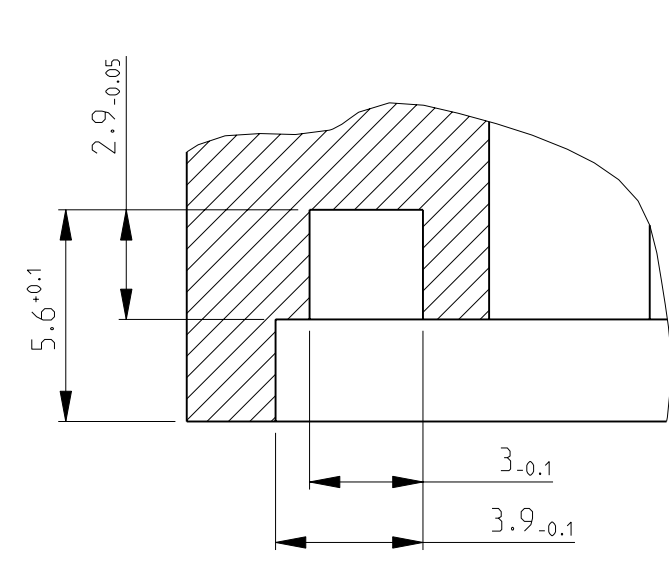
LOC		DIST		REVISIONS			
P	LTB	DESCRIPTION	DATE	DWN	APVD	SP	TS
A1		A2	Released as per ECR-07-030419	17.12.07	SP	TS	



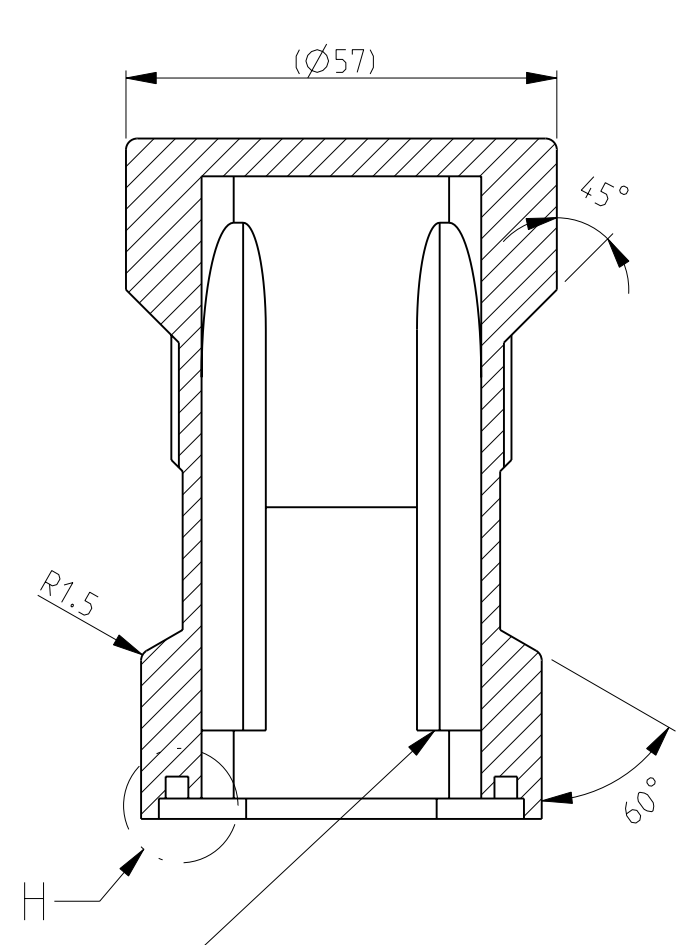
DETAIL J (2:1)



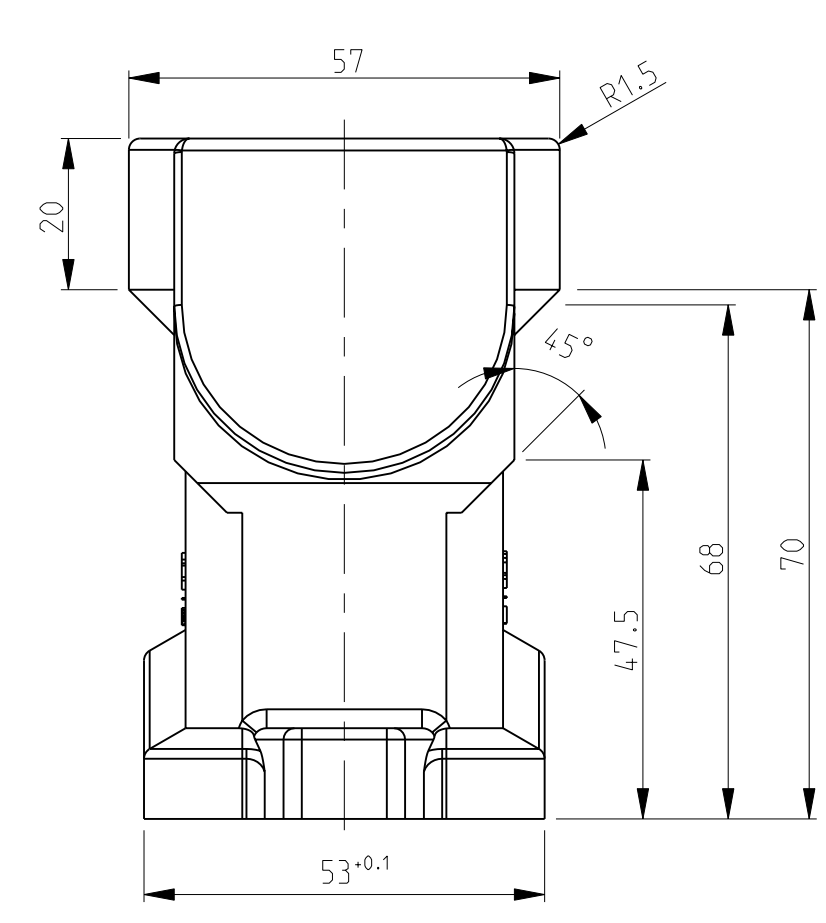
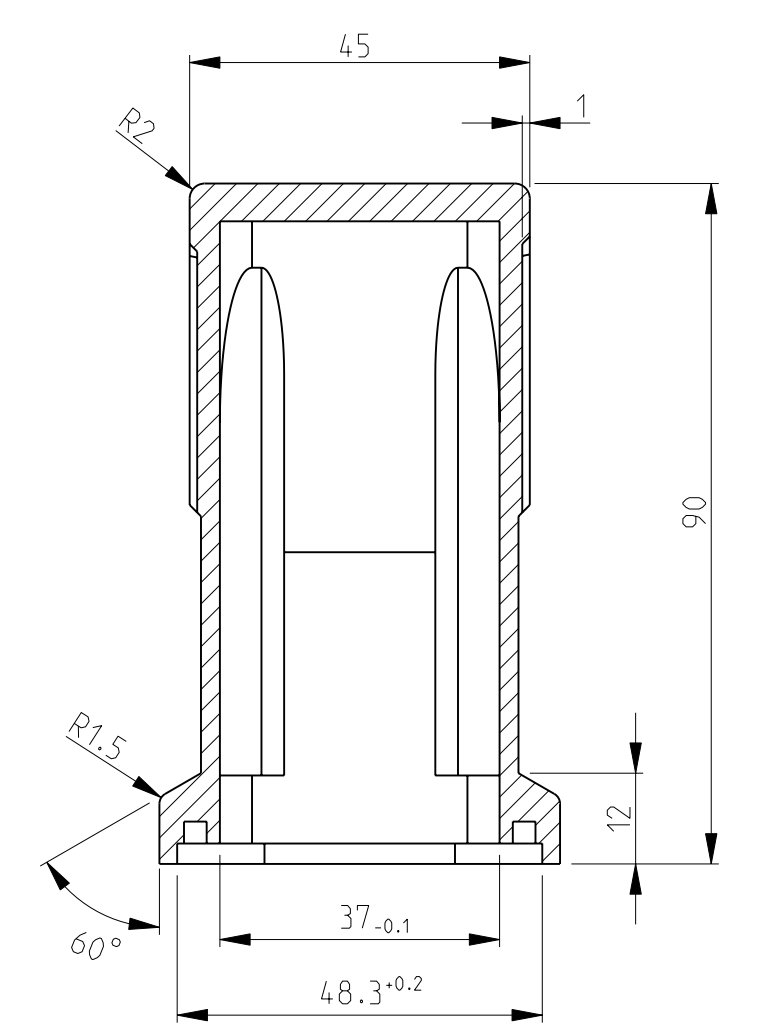
DETAIL H (5:1)



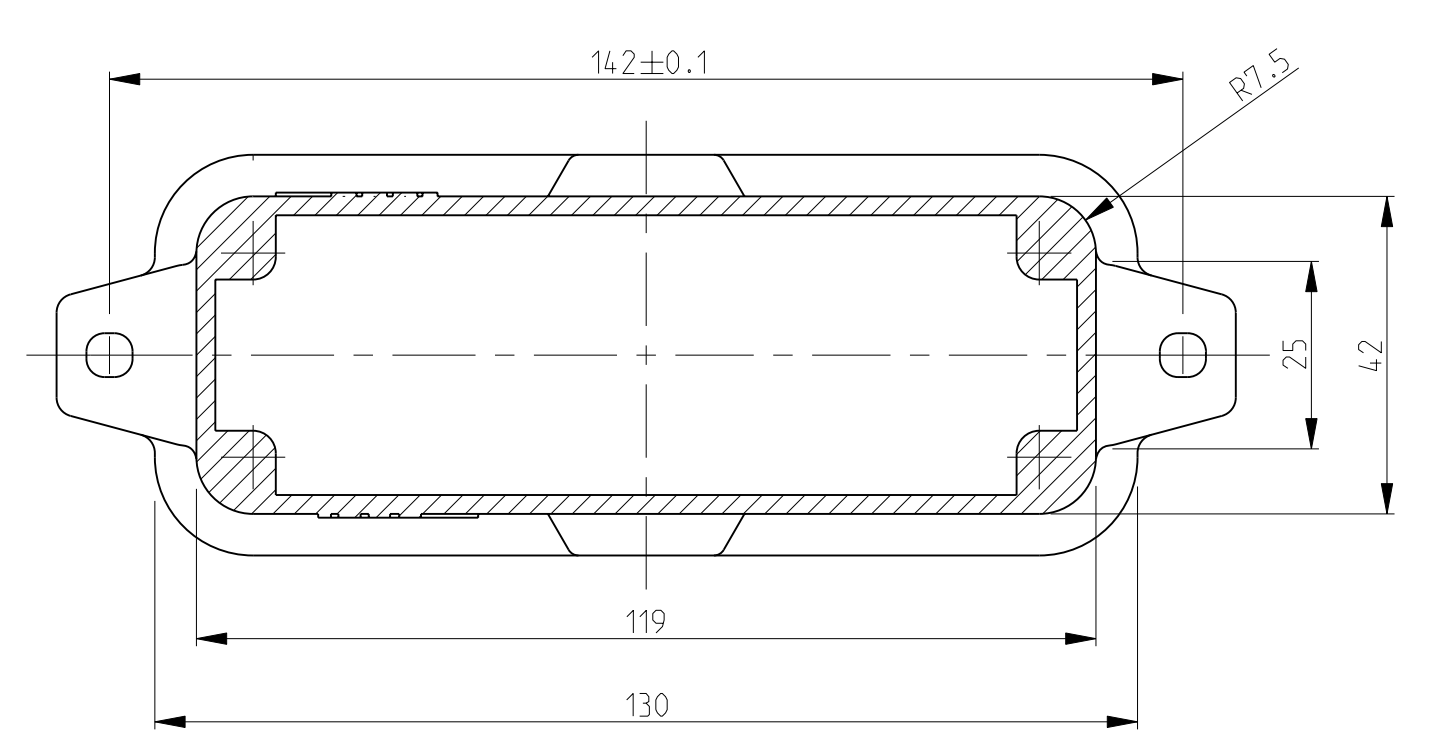
SECTION B-B



SECTION C-C

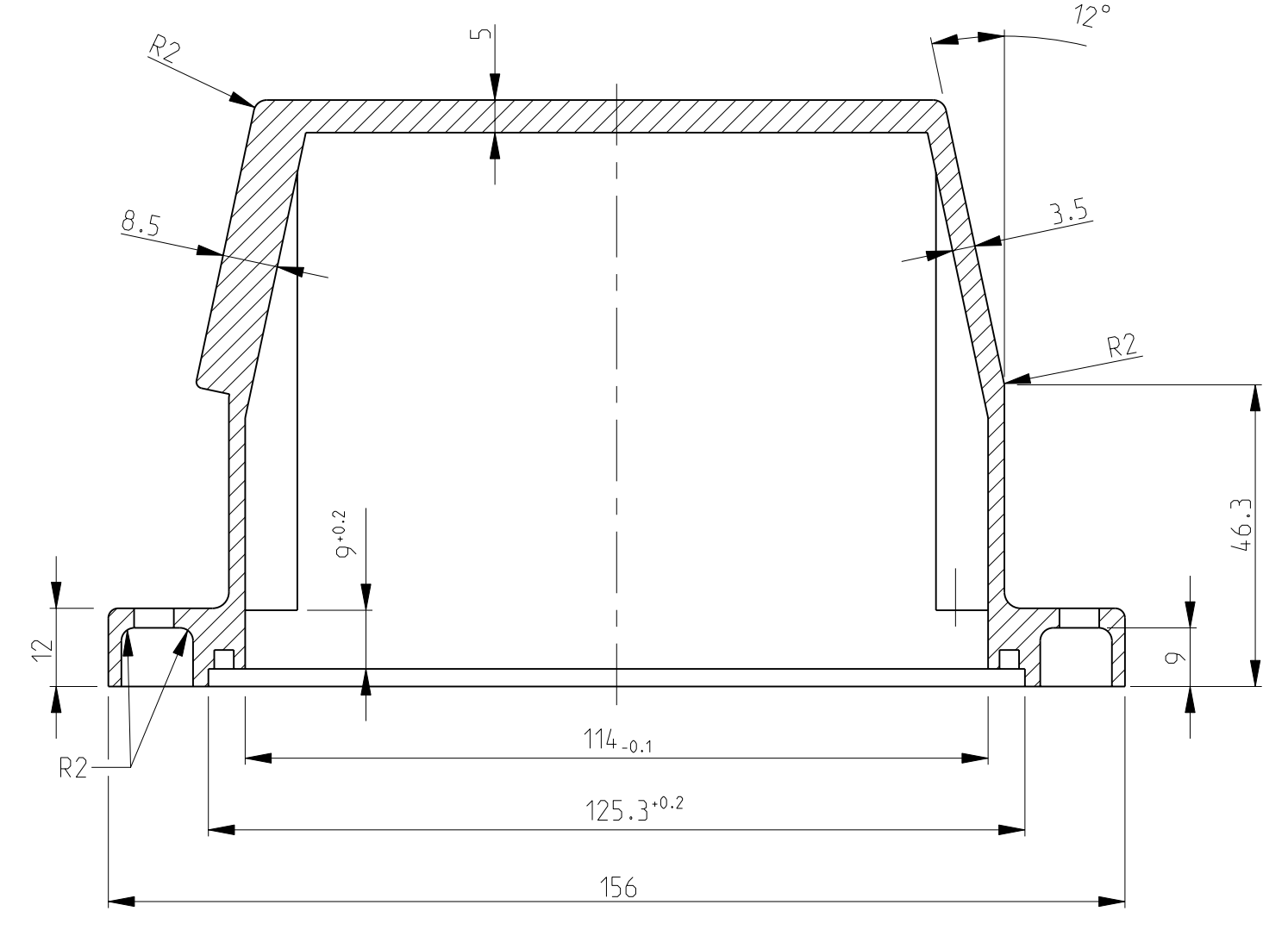


SECTION E-E

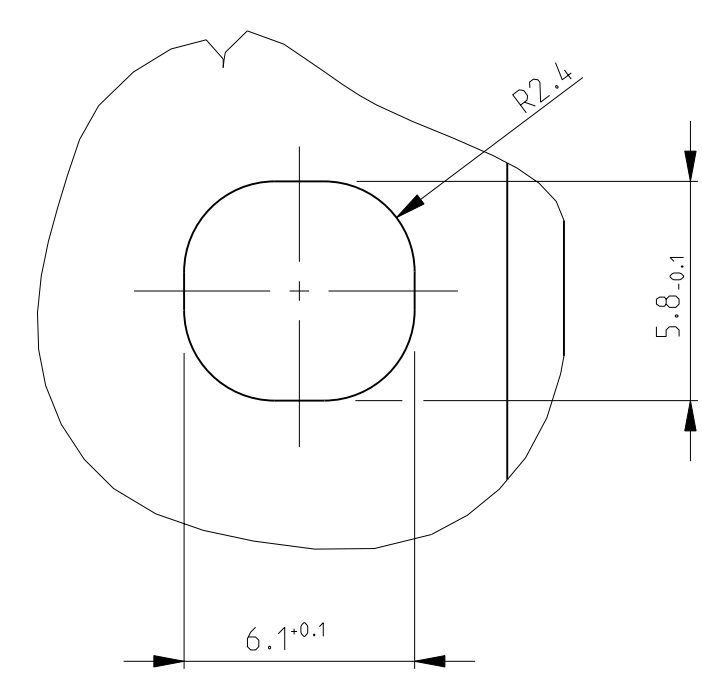


4x CAST FOR HOLE FOR FIXING HOLES M3 AFTER W.N.5.41

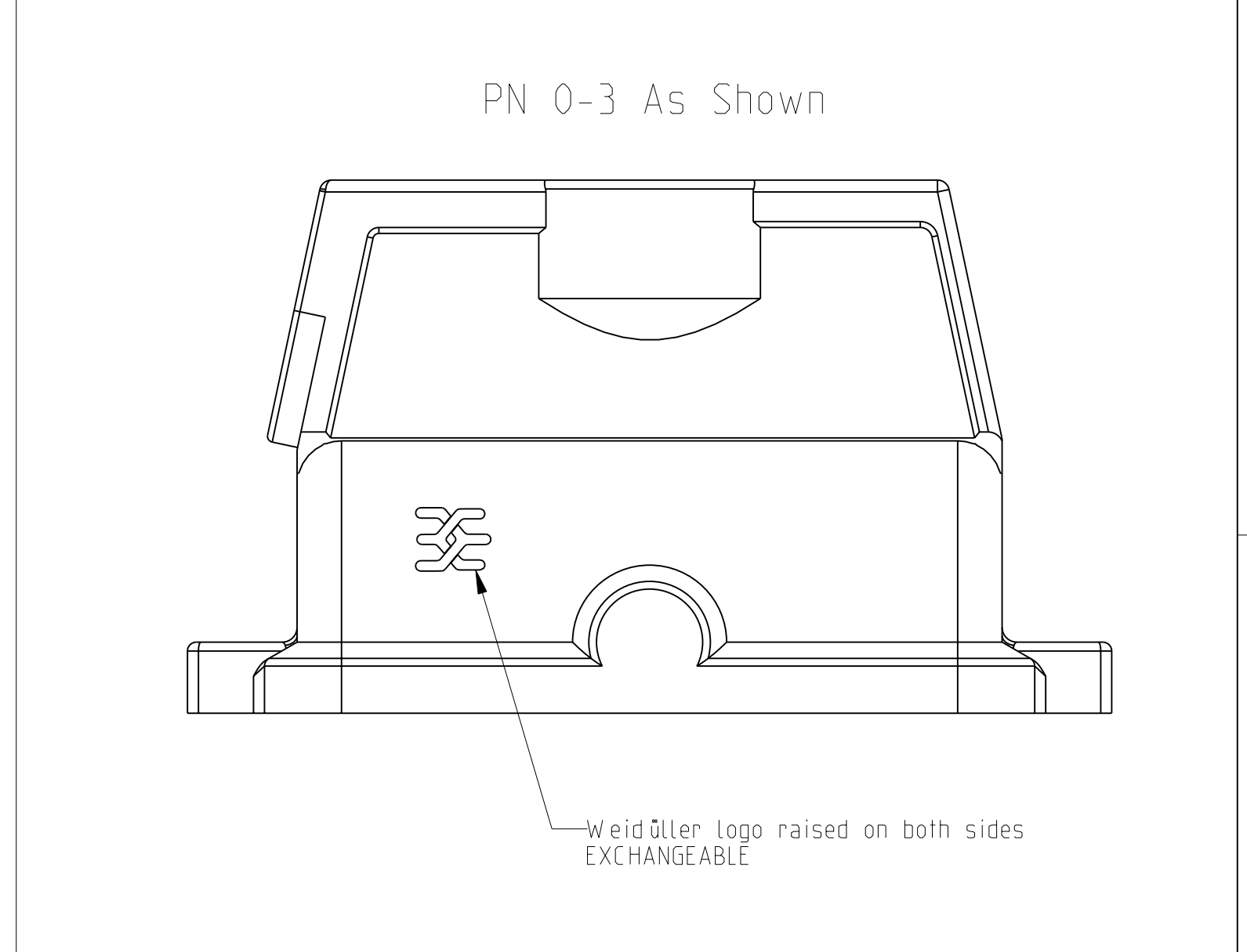
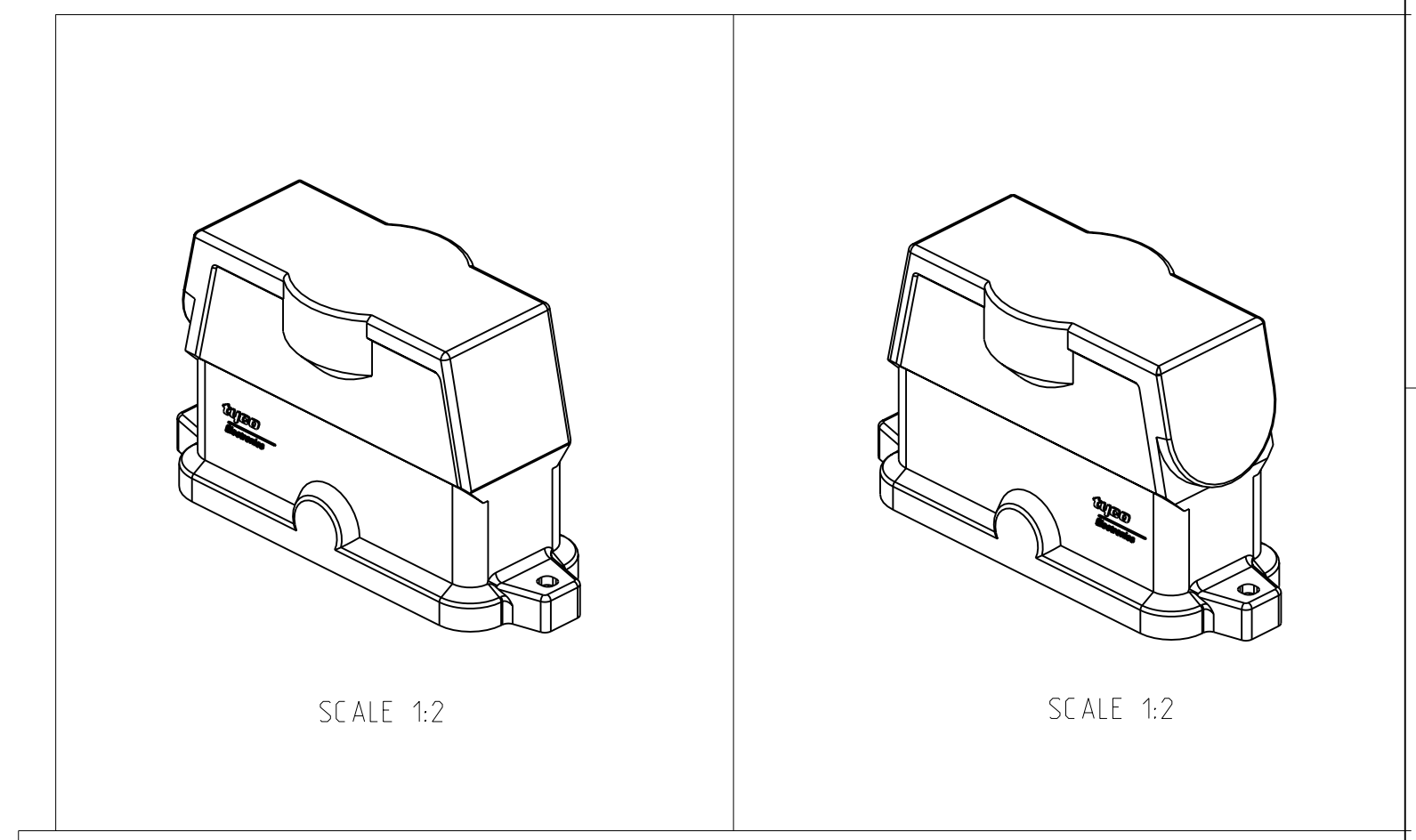
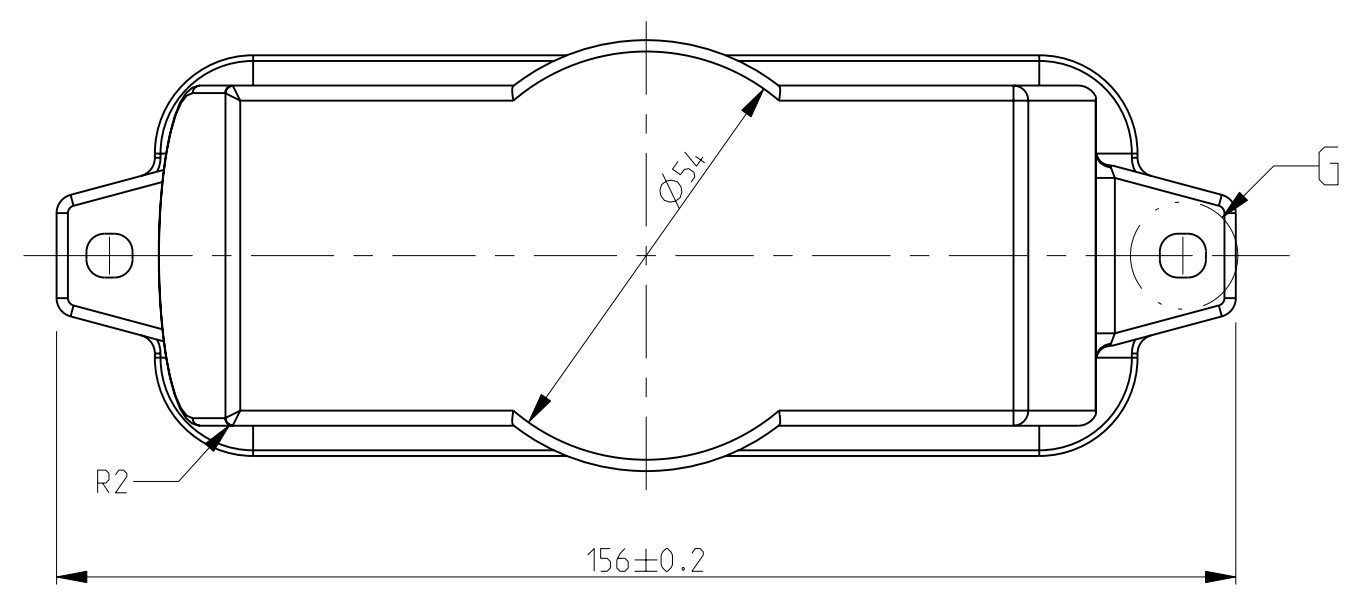
SECTION F-F (1:1)



DETAIL G (5:1)



PN 0-1 As Shown



DIMENSIONS: mm		TOLERANCES UNLESS OTHERWISE SPECIFIED:		DWN: S.Chelhan, J. 17.12.07		Tyco Electronics AMP, GmbH	
MATERIAL:		FINISH:		CHK: S.Prakash 17.12.07		D-33619, Neunkirchen, Germany	
APVD: S.Thomas 17.12.07		PRODUCT SPEC:		NAME: S.Thomas		4000 868 SERIES HIP	
APPLICATION SPEC:		WEIGHT:		SIZE: 100.779 C-4110034		RESTRICTED TO	
CUSTOMER DRAW ING		SCALE: 1:1		SHEET 1 OF 1		REV: A2	