

110-Series

Pushbutton Switches

The 110-Series provides a compact yet rugged solution to general purpose switch needs. Alternate action, metal construction and stiff (6-8lb.) actuation force have combined to make this switch a pillar in the Music Industry and Audiovisual Markets. This versatile switch is available in maintained and momentary circuits with a variety of termination and rating options.



Carling Technologies®

Innovative Designs. Powerful Solutions.

INNOVATIVE DESIGNS. POWERFUL SOLUTIONS.

Carling Technologies, Inc.
60 Johnson Avenue • Plainville, CT 06062-1177
Phone: (860) 793-9281 • Fax: (860) 793-9231
Email: sales@carlingtech.com • www.carlingtech.com

Dielectric Strength

UL/CSA: 1000V - live to dead metal parts & opposite polarity

Electrical Life

25,000 cycles

Mechanical Life

100,000 cycles

Operating Temperature

32°F to 185°F (0°C to 85°C)

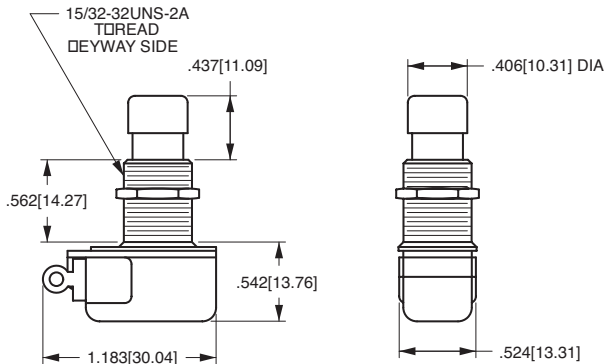
110-P

1
Part Number

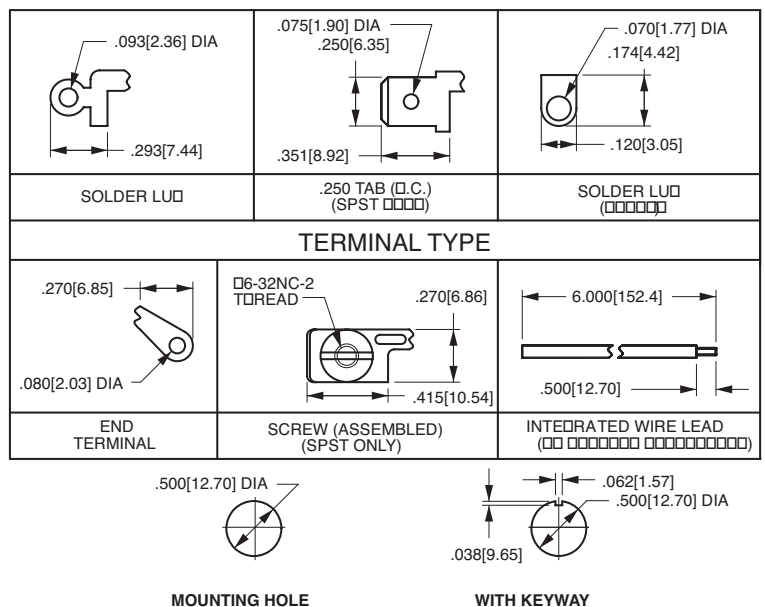
1 PART NUMBER: SERIES/ACTUATOR/CIRCUITRY/RATING/TERMINATION

	solder lug (end)	solder lug (bottom)	screw terminals	wire leads
Single Pole				
3A 250V, 6A 125V				
OFF-ON	110-P	110-BP	110-SP	111-16-P
OFF-(ON)	110-PM-OFF	110-PBM-OFF	110-SPM-OFF	111-PM-OFF
ON-(OFF)	110-PM-ON	110-PBM-ON	110-SPM-ON	111-PM-ON
5A 250V, 10A 125V, 1/4 HP 125V				
OFF-ON	160H-P	160H-BP	160H-SP	160H-AP
1A 250V, 3A 125V				
ON-ON	112-P	-	-	112-PA
ON-(ON)	112-PM	-	-	112-PAM
Double Pole				
1A 250V, 3A 125V				
OFF-ON	216-PP	-	-	216-PPA
OFF-(ON)	216-PM-OFF	-	-	216-PAM-OFF
ON-(OFF)	216-PM-ON	-	-	216-PAM-ON
ON-ON	316-PP	316-B-PP	-	316-PPA
ON-(ON)	316-PM	316-B-PM	-	316-PAM
1 ON - 1 OFF (2 circuit)	516-PP	-	-	516-PPA
1 (ON) - 1 (OFF) (2 circuit)	516-PM	-	-	516-PAM

Notes:
() Indicates momentary function.



NOTED
□ DEYWAY
.072[1.82] □ .038[.965] DP



*Manufacturer reserves the right to change product specification without prior notice.