

PART NUMBERS		CABLE RANGE inches (mm)	THREAD TYPE AND SIZE For thread specs see page 29	DIMENSIONS INCHES (MM)				
Dome Fittings	Flex Fittings			A Clearance Hole $+0.10^{+0.25}$ 0	B Body Height Dome Fittings	C Body Height Flex Fittings	D Thread Length Fittings	E/E Wrenching Flats
CD06MW-BR CD08MW-BR CD10MW-BR		.08 - .13 (2 - 3.2) .12 - .20 (3 - 5) .16 - .24 (4 - 6)	M6 x 1,0 M8 x 1,25 M10 x 1,5	.25 (6) .33 (8) .39 (10)	.39 (10) .51 (13) .55 (14)	-- -- --	.24 (6) .24 (6) .24 (6)	.31 (8) .43 (11) .47 (12)
CD12MA-BR CD12MR-BR	CF12MA-BR CF12MR-BR	.11 - .26 (3 - 6.5) .08 - .20 (2 - 5)	M12 x 1,5	.47 (12)	.75 (19)	2.16 (55)	.20 (5)	.55 (14)
CD16MA-BR CD16MR-BR	CF16MA-BR CF16MR-BR	.16 - .31 (4 - 8) .08 - .24 (2 - 6)	M16 x 1,5	.63 (16)	.83 (21)	2.60 (66)	.24 (6)	.67(17) / .75(19) .67(17) / .75(19)
CD17MA-BR CD17MR-BR	CF17MA-BR CF17MR-BR	.20 - .39 (5 - 10) .11 - .27 (3 - 7)	M16 x 1,5	.63 (16)	.87 (22)	3.03 (77)	.24 (6)	.79 (20)
CD20MA-BR CD20MR-BR	CF20MA-BR CF20MR-BR	.24 - .47 (6 - 12) .20 - .35 (5 - 9)	M20 x 1,5	.79 (20)	.91 (23)	3.46 (88)	.24 (6)	.87 (22)
CD22MA-BR CD22MR-BR	CF22MA-BR CF22MR-BR	.39 - .55 (10 - 14) .27 - .47 (7 - 12)	M20 x 1,5	.79 (20)	.94 (24)	3.86 (98)	.24 (6)	.94 (24)
CD25MA-BR CD25MR-BR	CF25MA-BR CF25MR-BR	.51 - .71 (13 - 18) .35 - .63 (9 - 16)	M25 x 1,5	.98 (25)	1.02 (26)	4.37(111)	.27 (7)	1.18 (30)
CD32MA-BR CD32MR-BR		.71 - .98 (18 - 25) .51 - .79 (13 - 20)	M32 x 1,5	1.26 (32)	1.22 (31)	--	.31 (8)	1.57 (40)
CD40MA-BR CD40MR-BR		.87 - 1.26 (22 - 32) .79 - 1.02 (20 - 26)	M40 x 1,5	1.57 (40)	1.46 (37)	--	.31 (8)	1.97 (50)
CD50MA-BR CD50MR-BR		1.26 - 1.50 (32 - 38) .98 - 1.22 (25 - 31)	M50 x 1,5	1.97 (50)	1.46 (37)	--	.35 (9)	2.52(64)/2.68(68) 2.52(64)/2.68(68)
CD63MA-BR CD63MR-BR		1.46 - 1.73 (37 - 44) 1.14 - 1.38 (29 - 35)	M63 x 1,5	2.48 (63)	1.50 (38)	--	.39 (10)	2.24 (57)

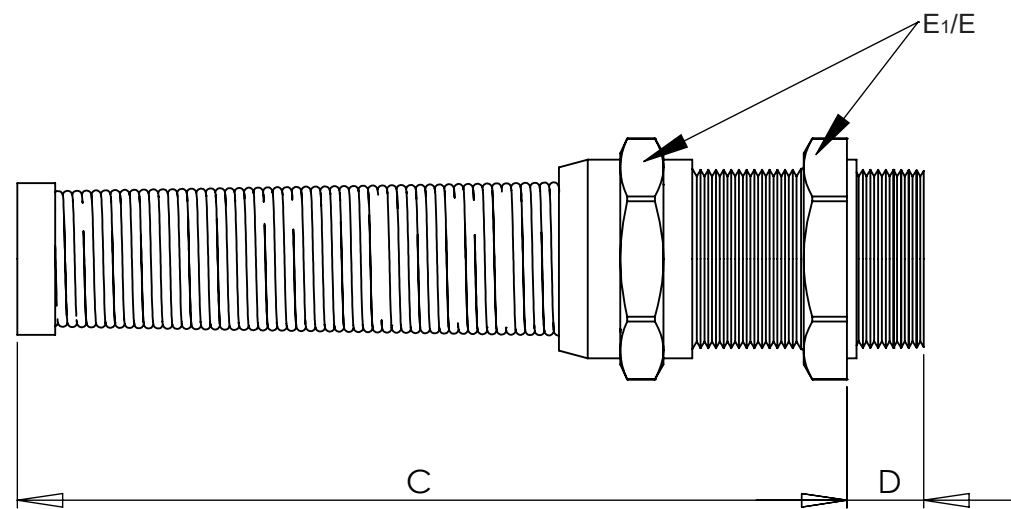
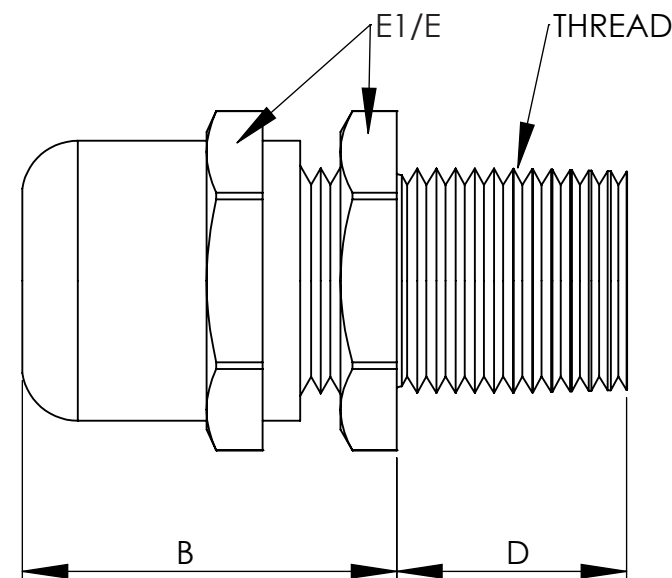
SPECIFICATIONS:

Pressure rating:
150 PSIG (10 BAR) NEMA 4X and 6
(Submersible) IP68

Materials:

Body, Dome Nut: Nickel plated brass
Spring (Flex extension):Stainless Steel
Splined Bushing: Nylon 6/6
Form Seal & O-Ring: Buna-N (Viton® optional)

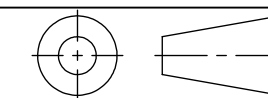
Operating Temperature:
-40°F to 212°F (-40°C to 100°C)
Short term exposure: 248°F (120°C)



NOTES:

- 1) GENERAL DIMENSIONS DRAWINGS.
- 2) DIMENSIONS [] ARE IN INCHES.
- 3) DIMENSIONS NOTED ARE FOR REFERENCE ONLY.

Third angle projection



14853 HINDSDALE AVE, SUITE D
CENTENNIAL, CO 80112-4240, USA
TEL: +1-303-699-1135
TOLL FREE: +1-800-456-9012
E MAIL: info@sealconusa.com,
WEBSITE: www.sealconusa.com

