



Datenblatt - Fiche technique - Data sheet

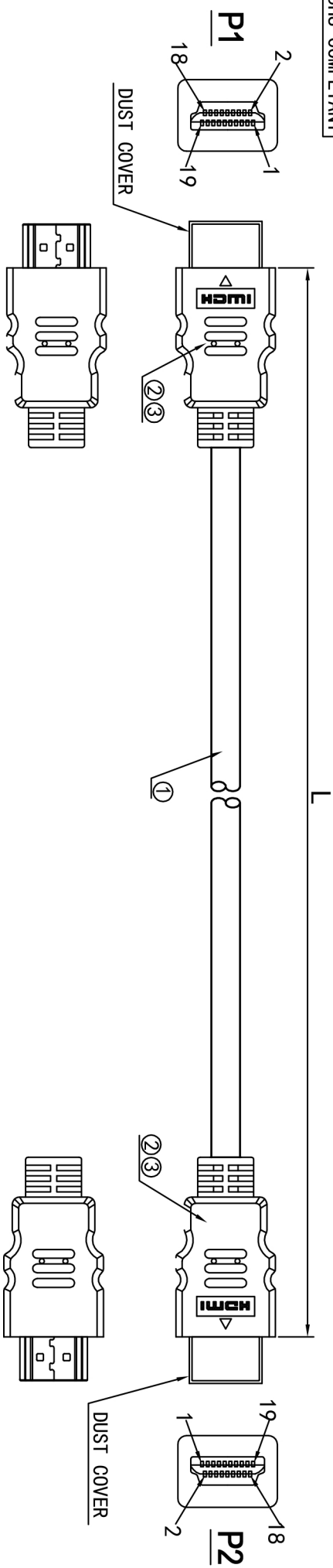
11.04.5542



ROLINE HDMI High Speed Kabel mit Ethernet, schwarz, 2,0 m

ROLINE Câble HDMI High Speed avec Ethernet, noir, 2,0 m

ROLINE HDMI High Speed Cable + Ethernet, M/M, black, 2.0 m



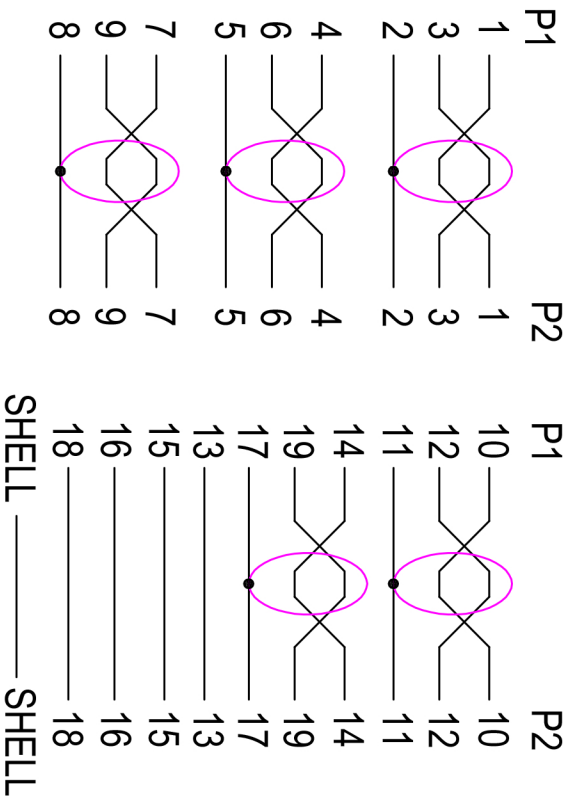
- NOTES:**
1. CABLE: JUL20276 (30AWG*1P+EAM) *5+30AWG*4C +AEB(CU WIRE, AM BRAID) OD=6.0MM JACKET: PVC BLACK; High Speed HDMI™ Cable with Ethernet
 2. CONN: HDMI A/M INSULATION: BLACK, SHELL NICKEL-PLATED;
 3. OUTER MOLD: PVC 45P BLACK;

ELECTRICAL TEST:

1. 100% TEST OPEN SHORT MIS-WIRE;
2. INSULATION RESISTANCE: 2M OHM MIN;

ITEM NO	L(MM)	T(MM)	HEAD SIZE	LABEL	INNER CTN	OUT CTN
11.04.5541	1000	+50/-0	205*166MM	LABEL1	10PCS/INNER CTN, (SIZE:17*12.5*23.5CM)	40PCS/OUT CTN (0.8*36*26.5*25CM)
11.04.5542	2000	+50/-0	205*166MM	LABEL2	10PCS/INNER CTN, (SIZE:21*15.8*20.5CM)	40PCS/OUT CTN (1.2*44*33*22CM)
11.04.5543	3000	+50/-0	205*166MM	LABEL3	10PCS/INNER CTN, (SIZE:21*15.8*20.5CM)	40PCS/OUT CTN (1.2*44*33*22CM)

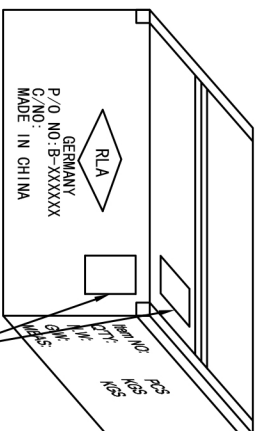
WIRE ADDRESS



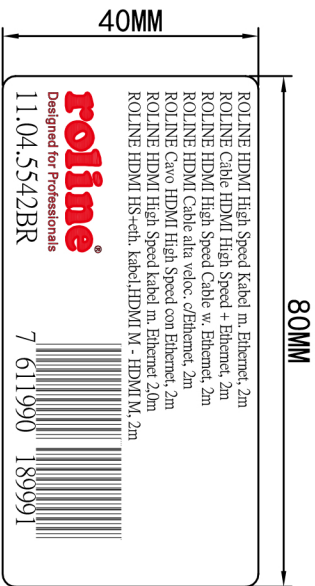
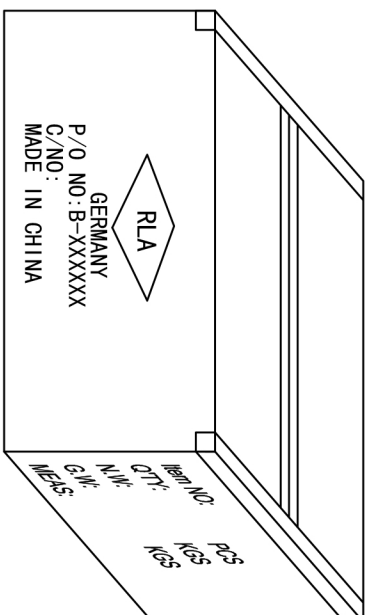
Company	Rotronic	Goods Code	Drawing Evidence:		Draw	F0038 ZYF	Date	2012-03-30	<p style="text-align: center;">Rotronic, Co., Ltd</p> <table border="1" style="width: 100%;"> <tr> <td>D</td> <td></td> </tr> <tr> <td>C</td> <td></td> </tr> <tr> <td>B</td> <td></td> </tr> <tr> <td>VER. A</td> <td>REVISE</td> </tr> </table>		D		C		B		VER. A	REVISE
D																		
C																		
B																		
VER. A	REVISE																	
ITEM NO	11.04.5543X				Check		Date											
Goods NO					Approval		Date											
Original NO.		Unit (MM)					Date											



STICKER (LABEL 1)



包装箱贴纸 (贴于内箱)
条码朝外 (客供)

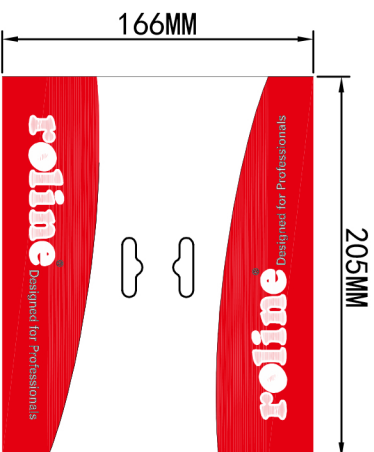


STICKER (LABEL 2)

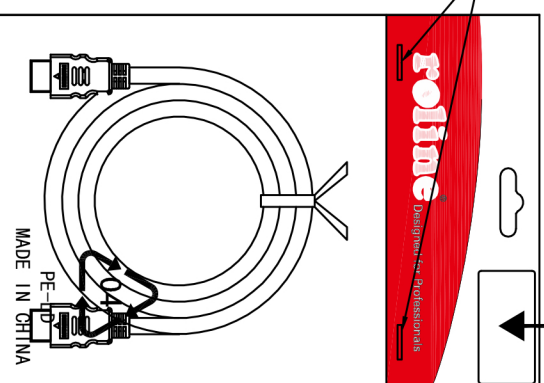
纸箱尺寸见第一张图画表格!



STICKER (LABEL 3)



HEAD



STICKER

1PCS/PE BAG (200*300*0.06MM) +HEAD+STICKER
+10PCS/ INNER CTN+40PCS/CTN

Company	Rotronic	Goods Code		Draw	F0038 ZYF	Date	2012-03-30	Rotronic, Co., Ltd	D	
ITEM NO	11.04.554X	Drawing Evidence:		Check		Date			C	
Goods NO		Unit (MM)		Approval		Date			B	
Original NO.								VER. A	REVISE	Date