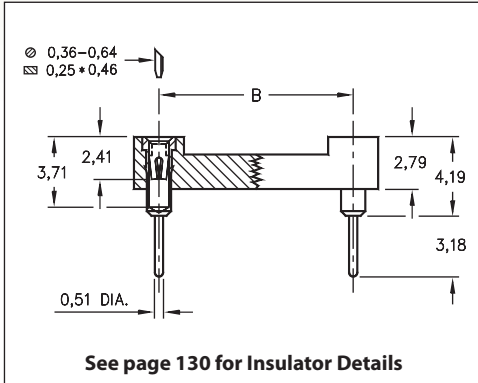
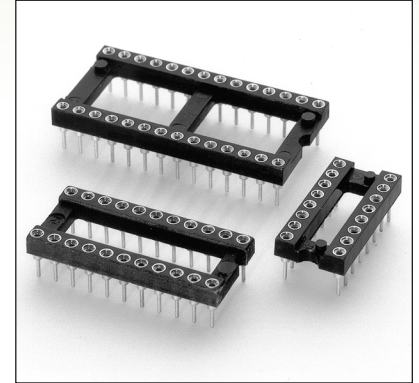


DUAL-IN-LINE SOCKETS

SERIES 110...001 • STANDARD SOLDER TAIL • OPEN FRAME



- All DIP sockets accept 0,38 - 0,64 diameter and standard IC leads
- Hi-Rel, 4-finger BeCu #30 contact is rated at 3 amps. See page 253 for details
- Series 110 uses MM #1001 pins. See page 165 for details
- Insulators are high temperature thermoplastic, suitable for all soldering operations
- For Electrical, Mechanical and Environmental Data, see page 264 for details



Total number of pins	Pin Spacing			Quantity per tube	ORDERING INFORMATION								
	A	B	C										
10	12,6	5,08	7,6	40	110-XX-210-41-001000								
4	5,0	7,62	10,1	102	110-XX-304-41-001000								
6	7,6	7,62	10,1	67	110-XX-306-41-001000								
8	10,1	7,62	10,1	50	110-XX-308-41-001000								
10	12,6	7,62	10,1	40	110-XX-310-41-001000								
14	17,7	7,62	10,1	28	110-XX-314-41-001000								
16	20,3	7,62	10,1	25	110-XX-316-41-001000								
18	22,8	7,62	10,1	22	110-XX-318-41-001000								
20	25,3	7,62	10,1	20	110-XX-320-41-001000								
22	27,8	7,62	10,1	18	110-XX-322-41-001000								
24	30,4	7,62	10,1	16	110-XX-324-41-001000								
28	35,5	7,62	10,1	14	110-XX-328-41-001000								
20	25,4	10,16	12,7	20	110-XX-420-41-001000								
22	27,8	10,16	12,7	18	110-XX-422-41-001000								
24	30,4	10,16	12,7	16	110-XX-424-41-001000								
28	35,5	10,16	12,7	14	110-XX-428-41-001000								
32	40,6	10,16	12,7	12	110-XX-432-41-001000								
24	30,4	15,24	17,7	16	110-XX-624-41-001000								
28	35,5	15,24	17,7	14	110-XX-628-41-001000								
32	40,6	15,24	17,7	12	110-XX-632-41-001000								
36	45,7	15,24	17,7	11	110-XX-636-41-001000								
40	50,8	15,24	17,7	10	110-XX-640-41-001000								
42	53,3	15,24	17,7	9	110-XX-642-41-001000								
48	60,9	15,24	17,7	8	110-XX-648-41-001000								
50	63,5	15,24	17,7	8	110-XX-650-41-001000								
52	66,0	15,24	17,7	7	110-XX-652-41-001000								
50	63,5	22,86	25,3	8	110-XX-950-41-001000								
52	66,0	22,86	25,3	7	110-XX-952-41-001000								
64	81,2	22,86	25,3	6	110-XX-964-41-001000								
SPECIFY PLATING CODE XX =					11	13	91	93	99	41	43	44	
					Sleeve (Pin)	0,25µm Au	0,25µm Au	5,08µm Sn/Pb	5,08µm Sn/Pb	5,08µm Sn/Pb	5,08µm Sn	5,08µm Sn	5,08µm Sn
Contact (Clip)					0,25µm Au	0,76µm Au	0,25µm Au	0,76µm Au	2,54µm Sn/Pb	0,25µm Au	0,76µm Au	2,54µm Sn	

XX=Plating Code
See Below

