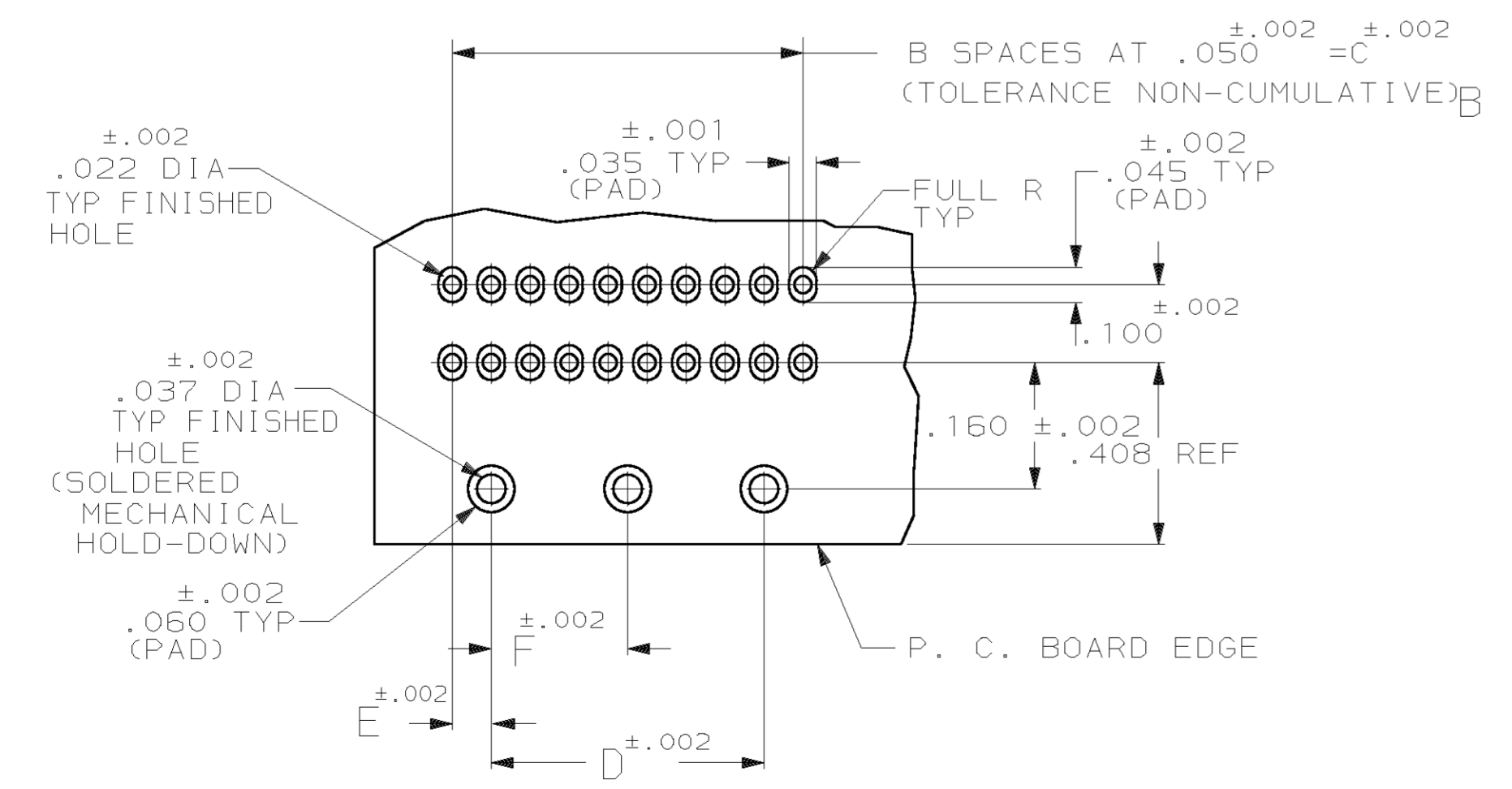
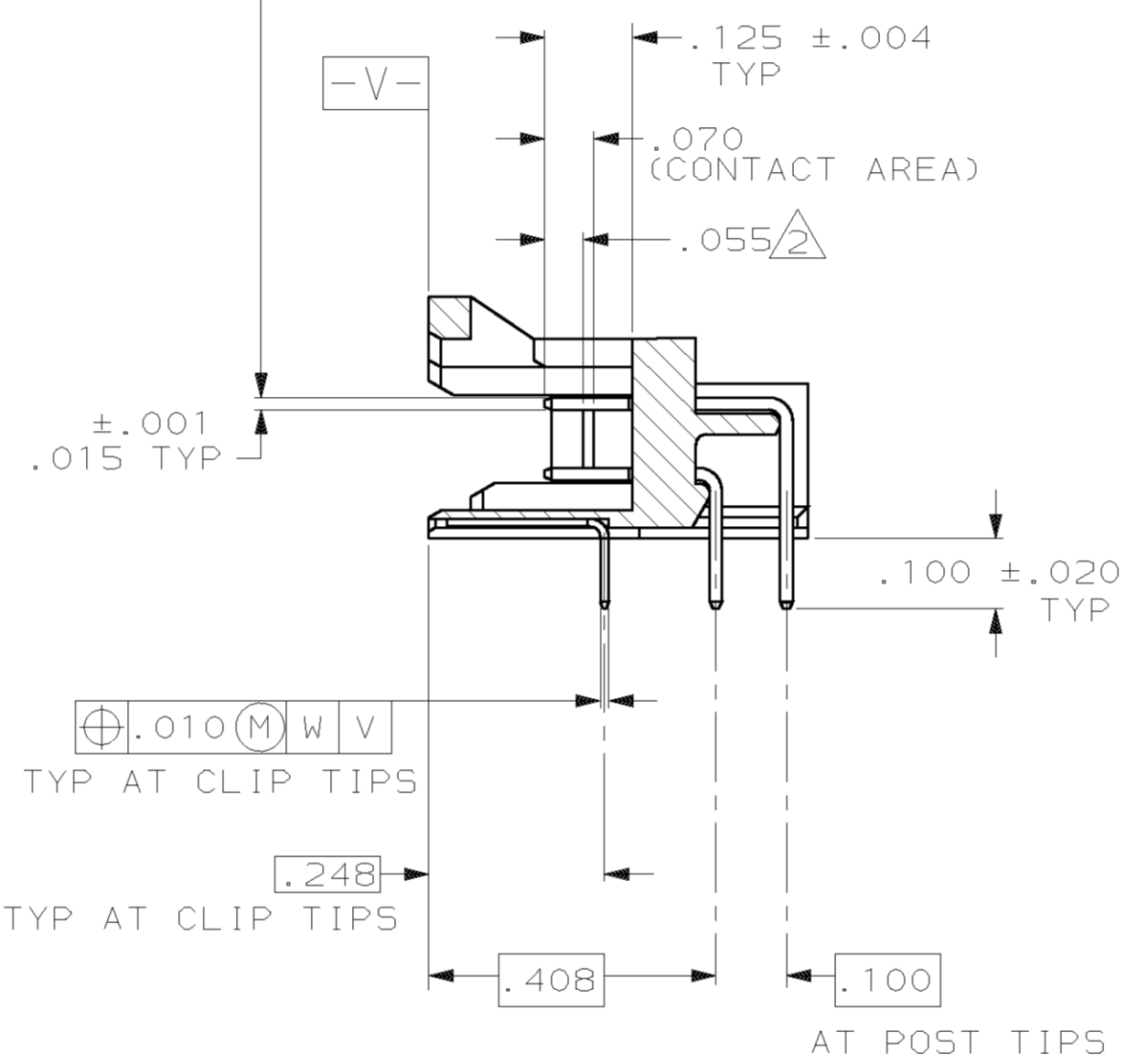
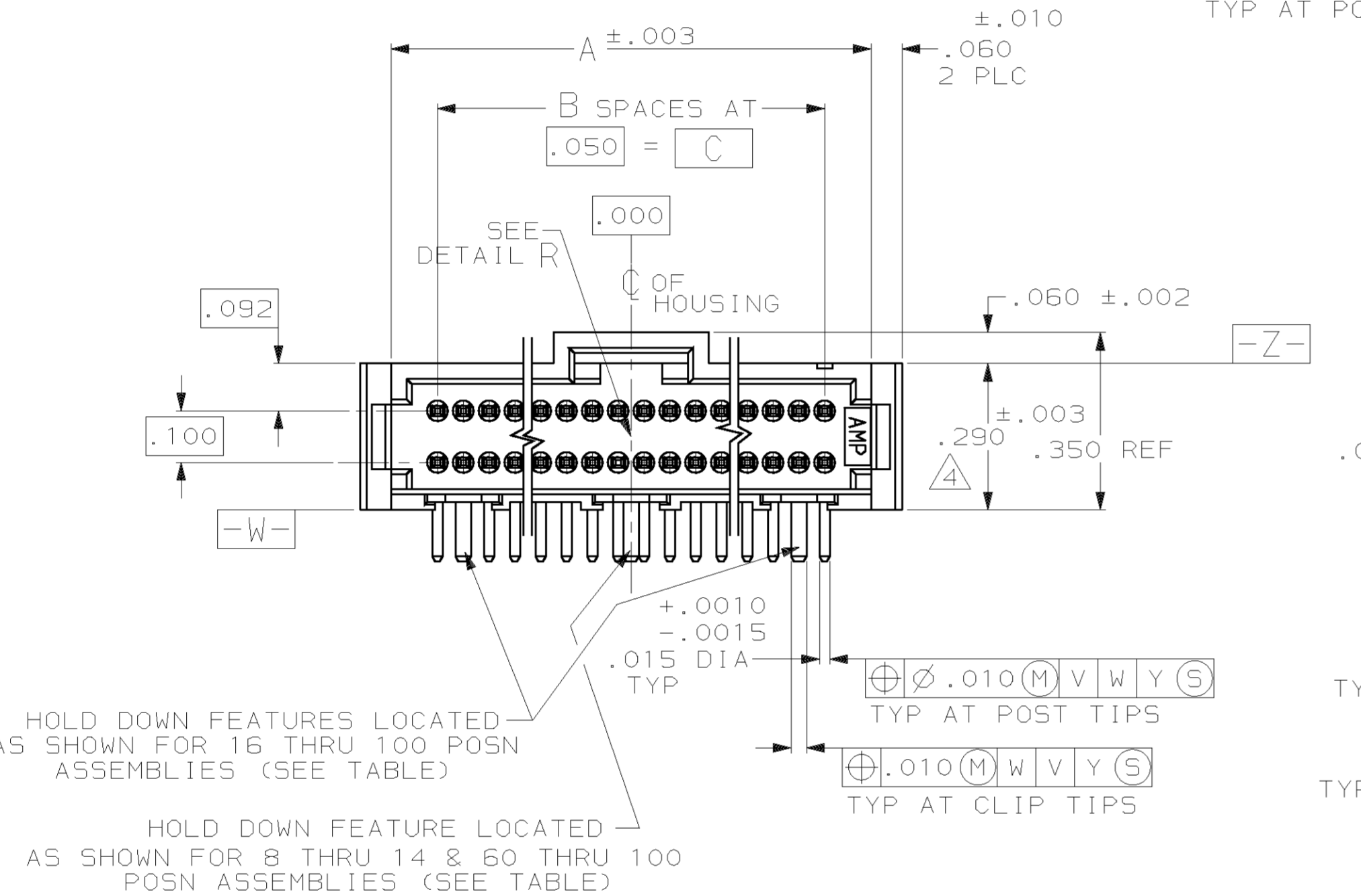
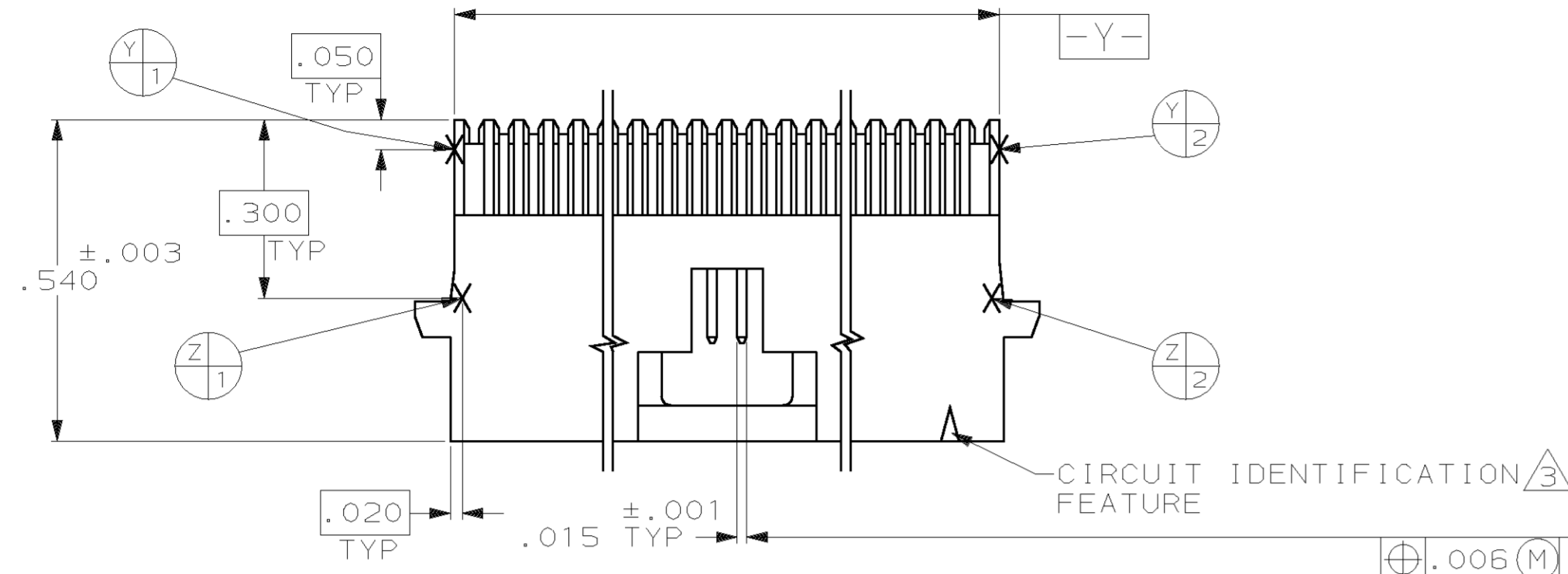
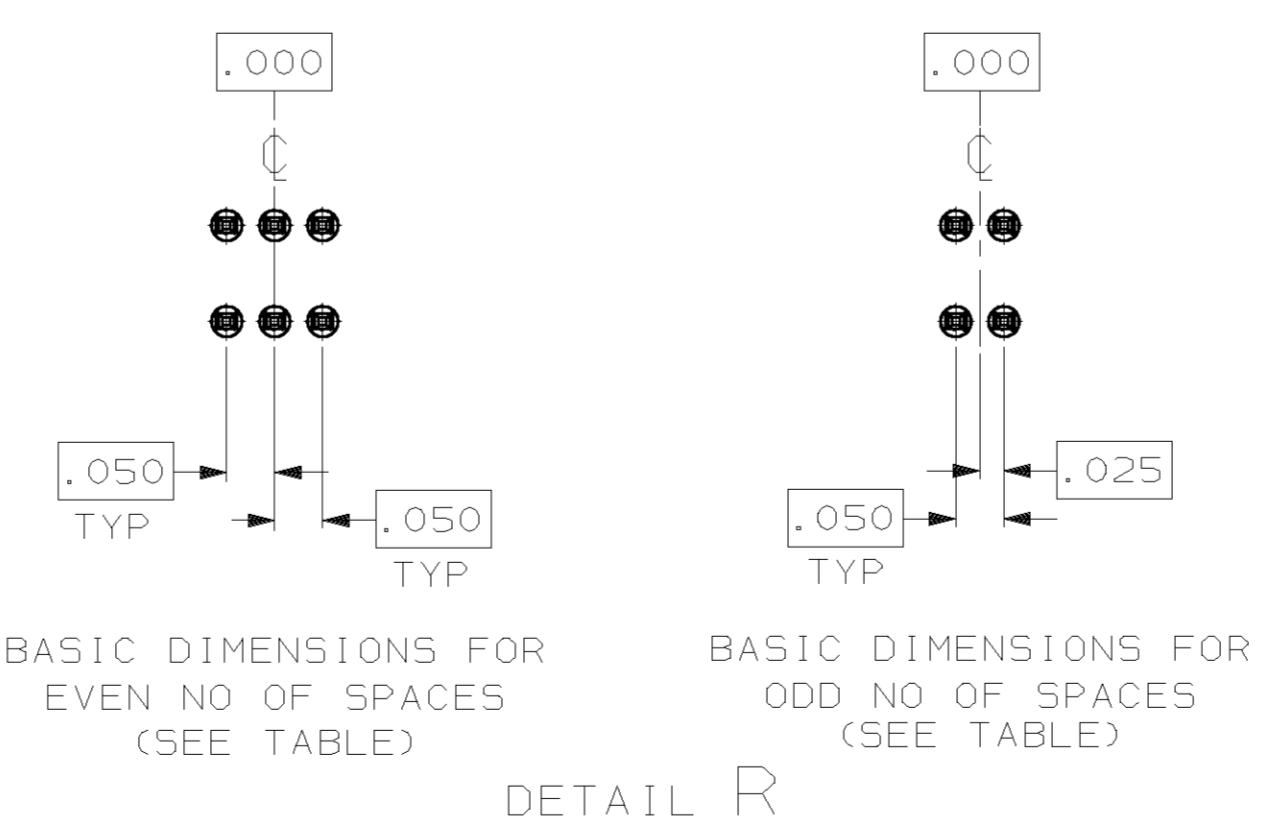


LOC	DIST	P	F	ZONE	LTR	DESCRIPTION	DATE	APPD
AD	39				Y	REV PER 063C-0456-04	11NOV04	JR/D5
					Z	ECR-05-002378	17MAY05	DR

- ① CONTACT AREA PLATED WITH .000030 MIN GOLD, SOLDER LEADS PLATED WITH .000150 TIN-LEAD, ALL OVER .000050 NICKEL
- ② POINT OF MEASUREMENT FOR GOLD THICKNESS
- ③ CIRCUIT IDENTIFICATION FEATURE OMITTED ON 8, 10, 12, & 14 POSITION HEADER ASSEMBLIES
- ④ DIMENSION APPLIES AT BASE OF SHROUD
- ⑤ THE NOTED DIMENSIONS APPLY AT THE INTERSECTION OF THE POST AND HOUSING
- ⑥ CONTACT AREA PLATED WITH .000030 MIN GOLD, SOLDER LEADS PLATED WITH .000150 TIN, ALL OVER .000050 NICKEL



RECOMMENDED HOLE PATTERN



	F	E	D	C	B	A	NO OF POSN	PART NUMBER
PRELIMINARY	.775	.050	1.550	1.650	33	1.830	68	6-104069-8
	1.175	.050	2.350	2.450	49	2.630	100	6-104069-7
	.825	.050	1.650	1.750	35	1.930	72	6-104069-6
	-	.050	.950	1.050	21	1.230	44	6-104069-5
	-	.050	.700	.800	16	.980	34	6-104069-4
	-	.050	.500	.600	12	.780	26	6-104069-3
	-	.050	.450	.550	11	.730	24	6-104069-2
	-	.050	.250	.350	7	.530	16	6-104069-1
	-	.150	-	.300	6	.480	14	6-104069-0
PRELIMINARY	-	.125	-	.250	5	.430	12	5-104069-9
	-	.075	-	.150	3	.330	8	5-104069-8
	.675	.050	1.350	1.450	29	1.630	60	5-104069-7
	-	.050	.850	.950	19	1.130	40	5-104069-6
	-	.050	.600	.700	14	.880	30	5-104069-5
	-	.100	-	.200	4	.380	10	5-104069-4
	.925	.050	1.850	1.950	39	2.130	80	5-104069-3
	-	.050	1.100	1.200	24	1.380	50	5-104069-2
	-	.050	.350	.450	9	.630	20	5-104069-1
	.775	.050	1.550	1.650	33	1.830	68	1-104069-8
	1.175	.050	2.350	2.450	49	2.630	100	1-104069-7
	.825	.050	1.650	1.750	35	1.930	72	1-104069-6
OBSOLETE	-	.050	.950	1.050	21	1.230	44	1-104069-5
	-	.050	.700	.800	16	.980	34	1-104069-4
	-	.050	.500	.600	12	.780	26	1-104069-3
	-	.050	.450	.550	11	.730	24	1-104069-2
	-	.050	.250	.350	7	.530	16	1-104069-1
OBSOLETE	-	.150	-	.300	6	.480	14	1-104069-0
	-	.125	-	.250	5	.430	12	104069-9
	-	.075	-	.150	3	.330	8	104069-8
	.675	.050	1.350	1.450	29	1.630	60	104069-7
	-	.050	.850	.950	19	1.130	40	104069-6
	-	.050	.600	.700	14	.880	30	104069-5
	-	.100	-	.200	4	.380	10	104069-4
	.925	.050	1.850	1.950	39	2.130	80	104069-3
	-	.050	1.100	1.200	24	1.380	50	104069-2
	-	.050	.350	.450	9	.630	20	104069-1

DO NOT SCALE PRINT. UNLESS SPECIFIED DIMENSIONS IN INCHES TOLERANCES - ON : 2 PLC DEC ± .005 3 PLC DEC ± .005 ANGLES ± -	DR 10-3-88 D. CLOUSER CHK 10-3-88 T. ZOLA APPD 10-3-88 T. ZOLA	AMP INCORPORATED Harrisburg, Pa. 17105	
MATERIAL HOUSING: THERMOPLASTIC COLOR-BLACK CONTACT: COPPER ALLOY	APPD 10-3-88 C. SNYDER PRODUCT SPEC 108-1093	NAME HEADER ASSEMBLY, RIGHT ANGLE DOUBLE ROW, W/SIDE & END LATCHES, AMPMODU System 50	
FINISH SEE TABLE	APPLICATION SPEC 114-25031	SIZE D 00779	DRAWING NO 104069
WEIGHT		SCALE 4:1	SHEET 1 OF 1