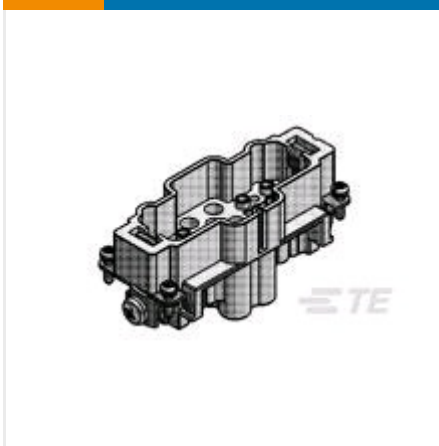




+ CONNECTORS

CONNECTOR HOUSINGS



✓ Active

TE CONNECTIVITY (TE)

HMX.6/12.Sti.C

HDC | HDC HMX PWR/SIGNAL Insert , HDC Inserts

1103146-1

TE Internal Number: 1103146-1

EU RoHS Compliant

EU ELV Compliant

Number of Positions 22

Number of Rows 2

Housing Material PBT GF30

Connector Style Plug

Contact Type Pin

[↓](#) **PRODUCT DRAWING**
English

[↓](#) **3D PDF**

DOCUMENTATION

Product Drawings

PIN INSERT HMX 6/12 Sti.C HMX 6/12 Sti.C

PDF

English

CAD Files

3D PDF

PDF

3D

Customer View Model

2D_DXF.ZIP

English

Customer View Model

3D_IGS.ZIP

English

Customer View Model

3D_STP.ZIP

English

FEATURES



Please review product documents or [contact us](#) for the latest agency approval information.

Please Note: Use the Product Drawing for all design activity.

Product Type Features

Connector Style Plug

Connector Type Housing

Product Type Housing

Configuration Features

Number of Positions 22

Number of Rows 2

Number of Signal Positions 12

Body Features

Insert Style Pin

Material PBT GF30

Color Light Gray

Contact Features

Number of Poles 6+12

Contact Type Pin

Housing Features

Housing Material PBT GF30

Housing Color Light Gray

Dimensions

Length (mm) 70.5

Width (mm) 34.6

Height (mm) 23.5

Packaging Features

Packaging Method Loose Piece

Packaging Quantity 5

PRODUCT COMPLIANCE



Statement of Compliance

Statement of Compliance

PDF
