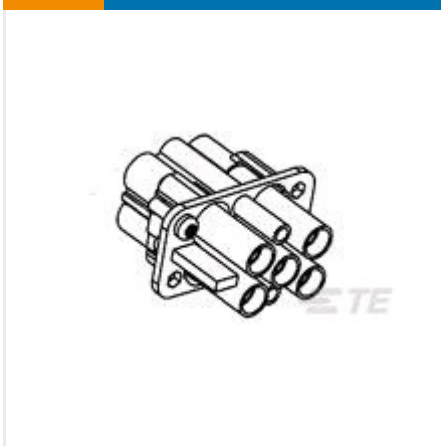




CONNECTORS

RECTANGULAR CONTACT INSERTS



✓ Active

TE CONNECTIVITY (TE)

HG-Q.4/2.Bu.C

HDC | HG-Q

1103096-1

TE Internal Number: 1103096-1

EU RoHS Compliant

EU ELV Compliant

Contact Type Pin

Number of Poles 4+2

Number of Positions 6

↓ **PRODUCT DRAWING**
English

↓ **3D PDF**

DOCUMENTATION

Product Drawings

FEMALE INSERT, HG-Q 4.2.BU.C

PDF (TIFF AVAILABLE)

English

CAD Files

3D PDF

PDF

English

Customer View Model

3D_IGS.ZIP

English

Customer View Model

3D_STP.ZIP

English

Customer View Model

2D_DXF.ZIP

English

Agency Approvals

UL Report

SERIES HG-Q.4/2, HG-Q.8 REPORT

PDF

English

FEATURES



Please review product documents or [contact us](#) for the latest agency approval information.

Please Note: Use the Product Drawing for all design activity.

Product Type Features

Product Type Insert

HTS Housings and Hoods No

Configuration Features

Number of Positions 6

Body Features

Color Gray

Insert Style Socket

Material PBT GF25

Contact Features

Contact Type Pin

Number of Poles 4+2

Packaging Features

Packaging Quantity 10

Packaging Method Box

Other

Comment Contacts sold separately.

PRODUCT COMPLIANCE



Statement of Compliance

Statement of Compliance

PDF

