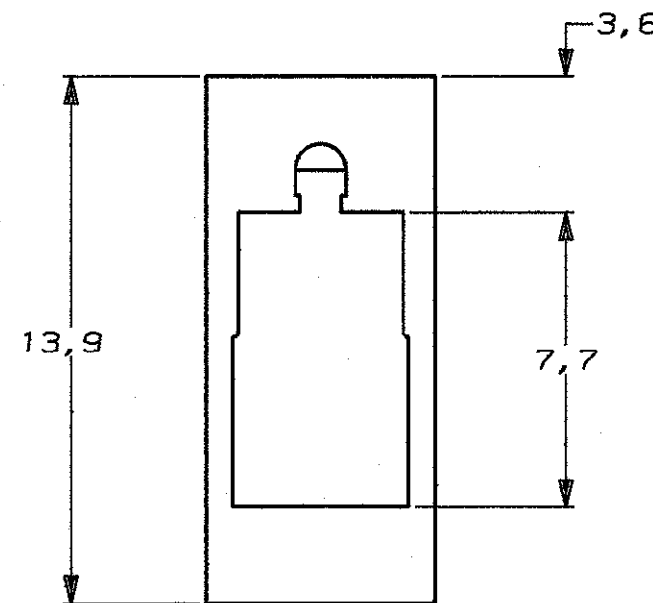
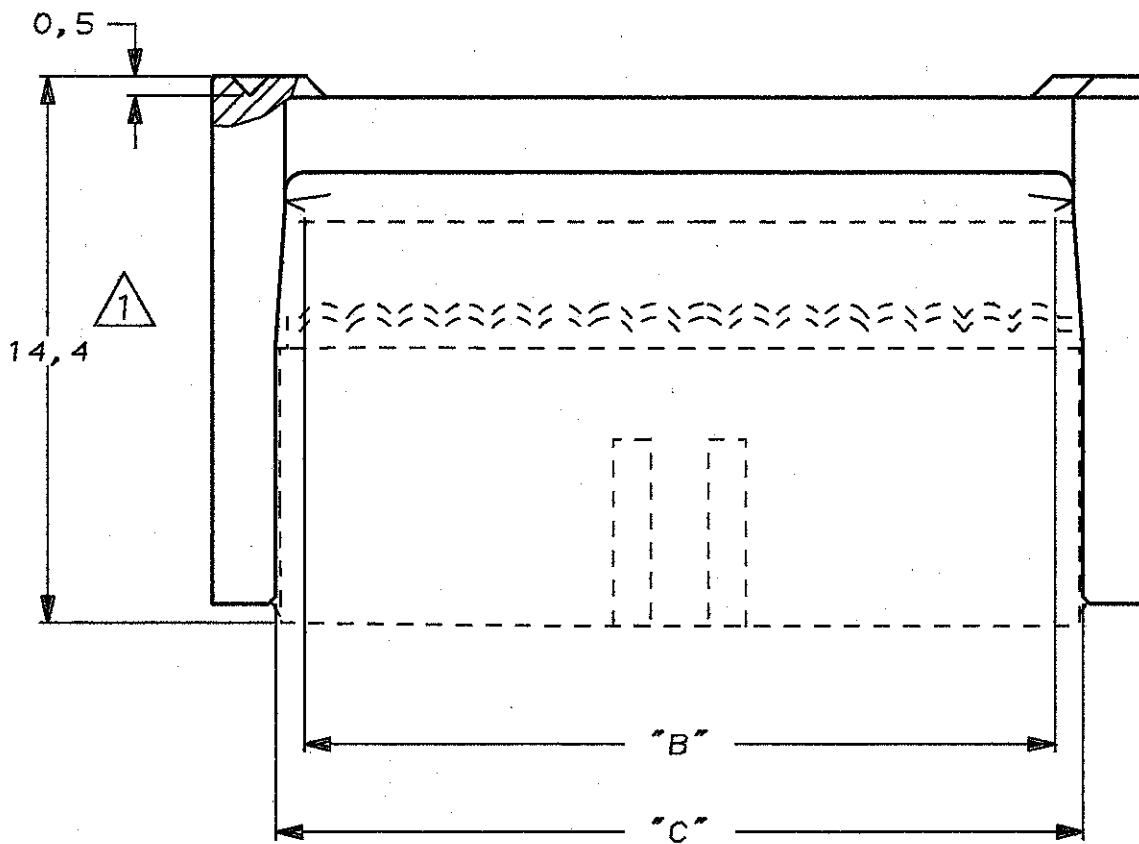
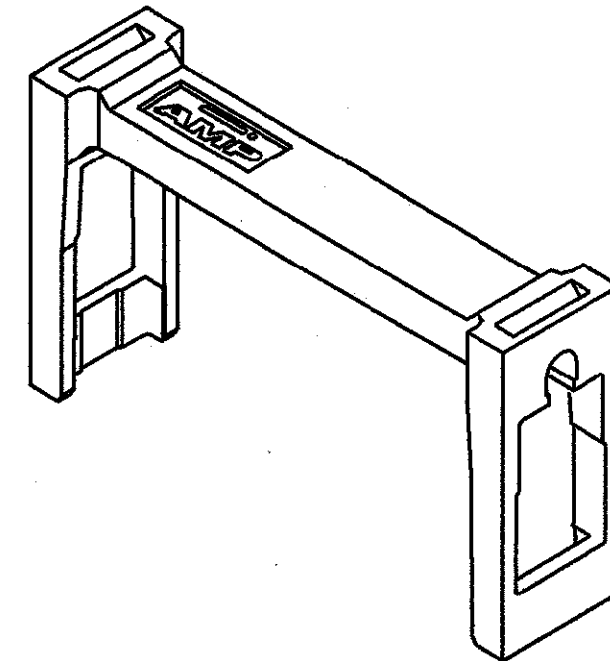
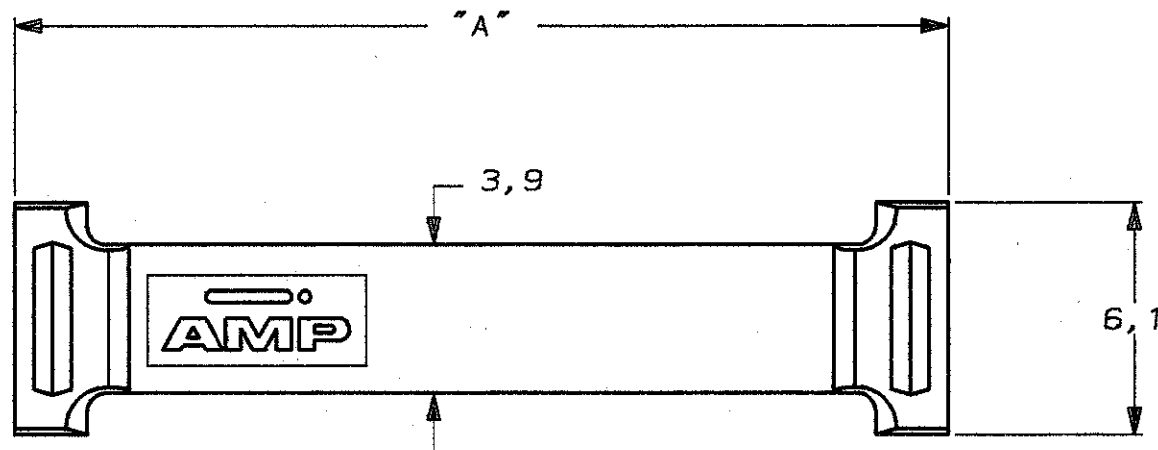


DO NOT SCALE
DIMENSIONS IN mm

METRIC

THIRD ANGLE
PROJECTION



64	32	85,88	82,07	82,64	6-100103-4
60	30	80,80	76,99	77,56	6-100103-0
50	25	68,10	64,29	64,86	5-100103-0
44	22	60,48	56,67	57,24	4-100103-4
40	20	55,40	51,59	52,16	4-100103-0
34	17	47,78	43,97	44,54	3-100103-4
30	15	42,70	38,89	39,46	3-100103-0
26	13	37,62	33,81	34,38	2-100103-6
20	10	30,00	26,19	26,76	2-100103-0
16	8	24,92	21,11	21,68	1-100103-6
14	7	22,38	18,57	19,14	1-100103-4
10	5	17,30	13,49	14,06	1-100103-0
NR. OF CABLE POS.	NR. OF DUAL POS.	A	B	C	PARTNUMBER

NOTES:

- ① ASSEMBLED WITH AMP-LATCH MIL-TYPE RECEPT. CONN. (SYMMETRIC COVER)
- 2 250 PIECES PACKED IN A PLASTIC BAG.

GREY RAL 7032	GLASSFILLED NYLON
COLOR	MATERIAL

-					CUSTOMER DRAWING		FOR REFERENCE ONLY WILL NOT BE UPDATED	
-					© COPYRIGHT 19-		BY AMP HOLLAND B.V.	
-					ALL INTERNATIONAL RIGHTS RESERVED.		AMP PRODUCTS MAY BE COVERED BY U.S. AND FOREIGN AND/OR PATENTS PENDING.	
-					THIS DRAWING IS UNPUBLISHED		RELEASED FOR PUBLICATION	
-					AMP		AMP HOLLAND B.V. s-Hertogenbosch, The Netherlands.	
-					NAME		AMP-LATCH MIL-TYPE RECEPT. CONN. STRAIN-RELIEF.	
B	H-9454	JvdH	R.V.	10-01-92				
LTR.	REVISION RECORD	DR.	CHK.	DATE				
DR.	R.HOGEVEEN.	CHK.	R.VERSTIJNEN.	APP.	L.V.SOEST.	DWG.No.	REV.LTR.	SHEET
DATE:	06-08-90	DATE:	08-08-90	DATE:	23-08-90	C-100103	B	1 OF 1
						A3		