

# Banana Jack - Insulated Rib-Loc® Solder Terminal

**SPECIFICATIONS**

**Contact:** Formed brass per QQ-B-626D

**Finish:** Bright tin

**Body:** Nylon 6/6 per ASTM D4066

**Panel Thickness:** Up to .250 (6.35)

**RATINGS**

**Current:** 15 amps

**Breakdown Voltage:** 7000 Vrms minimum +

**Contact Resistance:** 0.010 ohms maximum

**Contact-To-Panel C:** 2.4 pF nominal



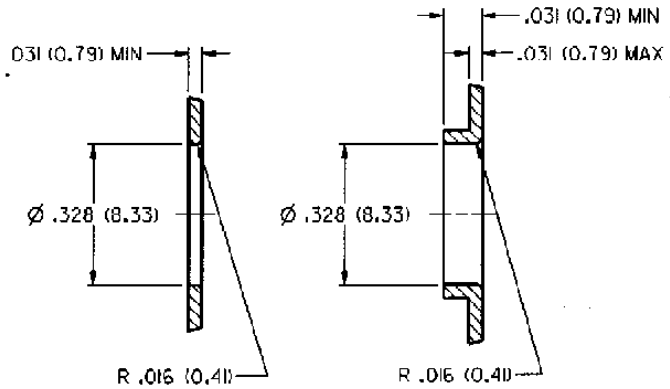
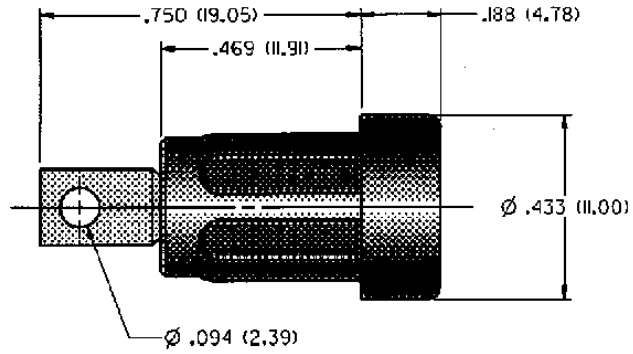
<b>BRIGHT TIN PLATING</b>
108-2310-801 Blue

**For Standard Banana Plug:**

**.175 (4.44) Across Flats**

**FEATURES:**

- Requires no mounting hardware
- Accepts up to 16 gauge wire
- Nylon UL approved for self extinguishing



MOUNTING HOLE OPTIONS