

Banana Jack - Insulated Rib-Loc® Solder Terminal



INCHES (MILLIMETERS)
CUSTOMER DRAWINGS AVAILABLE UPON REQUEST

SPECIFICATIONS

Contact: Formed brass per QQ-B-626D

Finish: Bright tin

Body: Nylon 6/6 per ASTM D4066

Panel Thickness: Up to .250 (6.35)

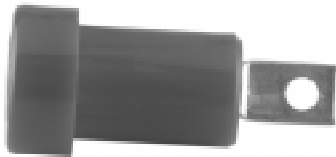
RATINGS

Current: 15 amps

Breakdown Voltage: 7000 Vrms minimum

Contact Resistance: 0.010 ohms maximum

Contact-To-Panel C: 2.4 pF nominal



BRIGHT TIN PLATING

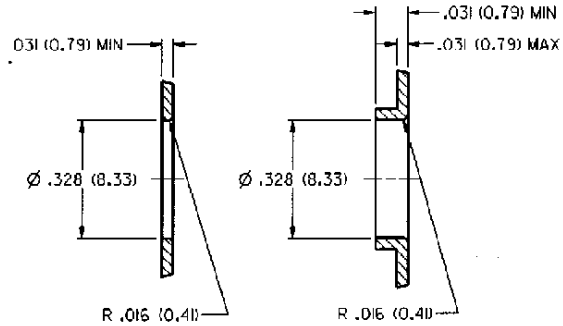
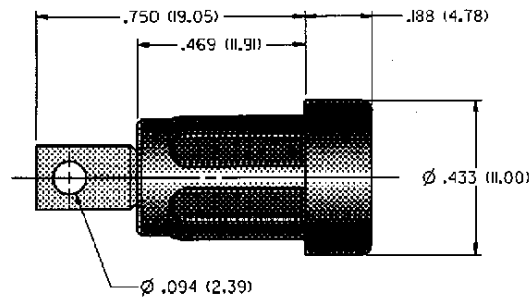
108-2301-801 White

For Standard Banana Plug:

.175 (4.44) Across Flats

FEATURES:

- Requires no mounting hardware
- Accepts up to 16 gauge wire
- Nylon UL approved for self extinguishing



MOUNTING HOLE OPTIONS