

Insulated Hex Body Solder Stud 5  
Insulated Hex Body Solder Type Long Handle 4  
Insulated Round Body Solder Stud 5  
Insulated Round Body Solderless 6  
Insulated Side Set Screw Solderless 4  
Insulated Solderless Tapered Handle 3  
Insulated Stacking Dual Type 7  
Insulated Stacking Single Type 6  
Jumbo Banana Plugs 8, 9  
Uninsulated Heavy Duty 7  
Uninsulated Heavy Duty Jumbo 7  
Uninsulated Panel Mount Screw Type, Crimp Lug Terminal 9  
Uninsulated Panel Mount Screw Type, Nickel Silver 2  
Uninsulated Panel Mount Screw Type, Pierced Lug Terminal 8  
Uninsulated Panel Mount Screw Type Beryllium Copper 3  
Uninsulated Panel Mount Threaded Stud 2  
Uninsulated Rivet Type 2  
Uninsulated Threaded Stud 8

# Banana Plugs

APPLICATION • Test Equipment • Power Supplies



INCHES (MILLIMETERS)  
CUSTOMER DRAWINGS AVAILABLE UPON REQUEST

## Uninsulated Rivet Type

### SPECIFICATIONS

**Plug Body:** Brass per QQ-B-626D

**Plug Spring:** Beryllium copper per QQ-C-533

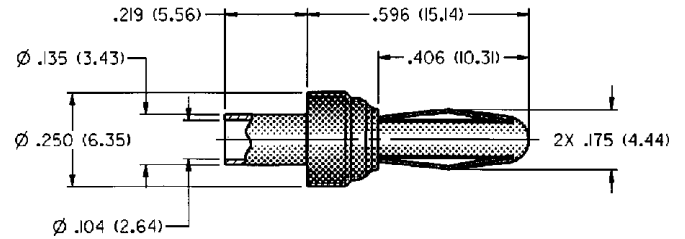
**Finish:** Silver

**Panel Thickness:** Up to .156 (4.00)

### RATINGS

**Current:** 15 amps

**Contact Resistance:** 0.010 ohms maximum



|                       |  |
|-----------------------|--|
| <b>SILVER PLATING</b> |  |
| <b>PART NO.</b>       |  |
| 108-0754-001          |  |

**For Standard Banana Jack: .166 (4.23) Diameter**

### FEATURES:

- Shorter spring adapts to standard jack or special size jack
- Ideal for limited space applications

## Uninsulated Panel Mount Threaded Stud

### SPECIFICATIONS

**Plug Body:** Brass per QQ-B-626D

**Plug Spring:** Nickel silver per QQ-C-585

**Finish:** Nickel

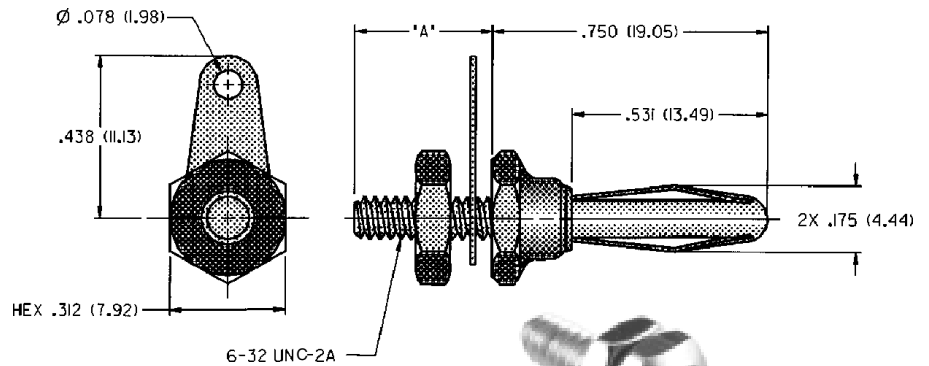
**Panel Thickness:** Up to .25 (6.35) .625 (16.00)

**Hardware:** Nickel plated nut, stamped tin plated solder terminal (unassembled)

### RATINGS

**Current:** 15 amps

**Contact Resistance:** 0.010 ohms maximum



|                       |                        |
|-----------------------|------------------------|
| <b>NICKEL PLATING</b> |                        |
| <b>PART NO.</b>       | <b>STUD LENGTH "A"</b> |
| 108-0750-001          | .375 (9.50)            |
| 108-0750-002          | .750 (19.05)           |

**For Standard Banana Jack: .166 (4.23) Diameter**

### FEATURES:

- Two stud lengths adapt to different panel sizes
- Pierced hole for up to 14 gauge wire

## Uninsulated Panel Mount Screw Type, Nickel Silver Spring

### SPECIFICATIONS

**Plug Body:** Brass per QQ-B-626D

**Plug Spring:** Nickel silver per QQ-C-585

**Finish:** Silver

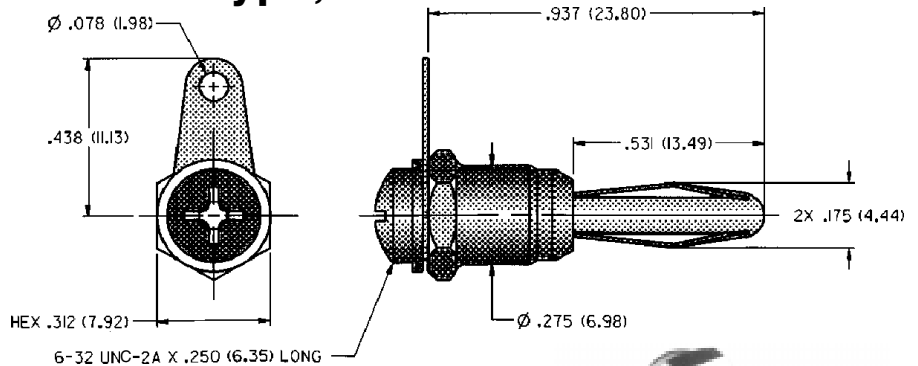
**Panel Thickness:** Up to .125 (3.20)

**Hardware:** Nickel plated screw, stamped tin plated solder terminal (unassembled)

### RATINGS

**Current:** 15 amps

**Contact Resistance:** 0.010 ohms maximum



|                       |  |
|-----------------------|--|
| <b>NICKEL PLATING</b> |  |
| <b>PART NO.</b>       |  |
| 108-0753-001          |  |

**For Standard Banana Jack: .166 (4.23) Diameter**

### FEATURES:

- Rugged screw type
- Stamped tin plated solder terminal with hole for up to 14 gauge wire

† Avoid user injury due to misapplication. See safety advisory definitions on page 2.

### Uninsulated Panel Mount Screw Type Beryllium Copper Spring



#### SPECIFICATIONS

**Plug Body:** Brass per QQ-B-626D

**Plug Spring:** Beryllium copper per QQ-C-533

**Finish:** Nickel

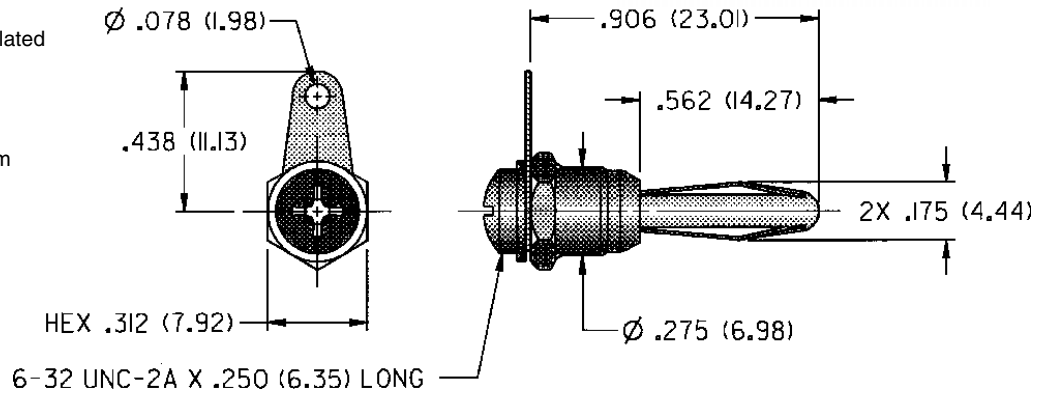
**Panel Thickness:** Up to .156 (4.00)

**Hardware:** Nickel plated nut, stamped tin plated solder terminal (unassembled)

#### RATINGS

**Current:** 15 amps

**Contact Resistance:** 0.010 ohms maximum



|                       |  |
|-----------------------|--|
| <b>NICKEL PLATING</b> |  |
| <b>PART NO.</b>       |  |
| 108-0753-102          |  |

For Standard Banana Jack: .166 (4.23) Diameter

#### FEATURES:

- Rugged screw type
- Stamped tin plated solder terminal with hole for up to 14 gauge wire

### Insulated Solderless Tapered Handle

#### SPECIFICATIONS

**Plug Body:** Brass per QQ-B-626D

**Plug Spring:** Nickel silver per QQ-C-533

**Finish:** Nickel

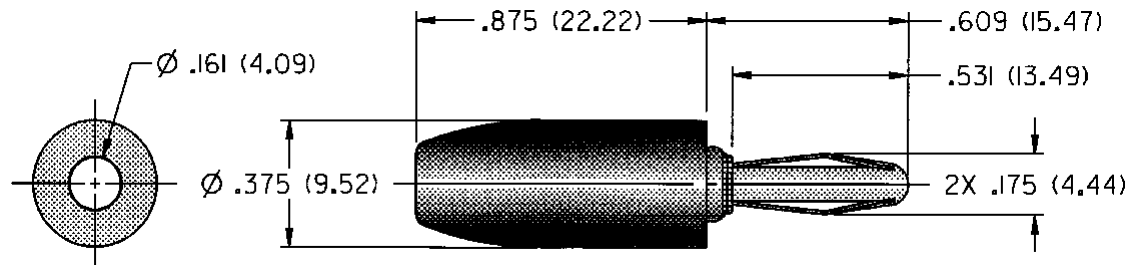
**Insulated Handle:** Nylon 6/6 per ASTM D4066

#### RATINGS

**Current:** 15 amps

**Breakdown Voltage:** 3500 Vrms minimum †

**Contact Resistance:** 0.010 ohms maximum



| <b>NICKEL PLATING</b> |              |                 |              |
|-----------------------|--------------|-----------------|--------------|
| <b>PART NO.</b>       | <b>COLOR</b> | <b>PART NO.</b> | <b>COLOR</b> |
| 108-0301-001          | White        | 108-0307-001    | Yellow       |
| 108-0302-001          | Red          | 108-0308-001    | Brown        |
| 108-0303-001          | Black        | 108-0310-001    | Blue         |
| 108-0304-001          | Green        | 108-0312-001    | Violet       |
| 108-0306-001          | Orange       | 108-0313-001    | Gray         |

For Standard Banana Jack: .166 (4.23) Diameter

#### FEATURES:

- Fast solderless connection of up to 16 gauge wire
- Recessed plug body to limit shock hazard
- Nylon UL approved for self extinguishing

† Avoid user injury due to misapplication. See safety advisory definitions on page 2.

# Banana Plugs

APPLICATION • Test Equipment • Power Supplies

INCHES (MILLIMETERS)  
CUSTOMER DRAWINGS AVAILABLE UPON REQUEST

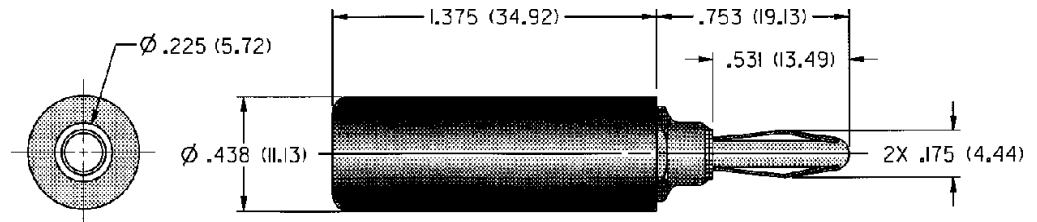
## Insulated Hex Body Solder Type Long Handle

### SPECIFICATIONS

**Plug Body:** Brass per QQ-B-626D  
**Plug Spring:** Nickel silver per QQ-C-585  
**Finish:** Nickel  
**Insulated Handle:** Nylon 6/6 per ASTM D4066

### RATINGS

**Current:** 15 amps  
**Breakdown Voltage:** 3500 Vrms minimum †  
**Contact Resistance:** 0.010 ohms maximum



| NICKEL PLATING |       |
|----------------|-------|
| PART NO.       | COLOR |
| 108-0752-001   | Black |
| 108-0752-002   | Red   |

**For Standard Banana Jack: .166 (4.23) Diameter FEATURES:**

- Solder type terminal uses up to 16 gauge wire
- Nylon UL approved for self extinguishing

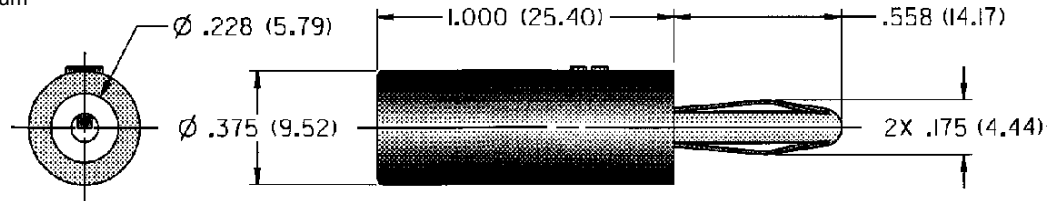
## Insulated Side Set Screw Solderless

### SPECIFICATIONS

**Plug Body:** Brass per QQ-B-626D  
**Plug Spring:** Nickel silver per QQ-C-585  
**Finish:** Nickel  
**Insulated Handle:** Nylon 6/6 per ASTM D4066

### RATINGS

**Current:** 15 amps  
**Breakdown Voltage:** 35 Vrms minimum †  
**Contact Resistance:** 0.010 ohms maximum



| NICKEL PLATING |       |              |       |
|----------------|-------|--------------|-------|
| PART NO.       | COLOR | PART NO.     | COLOR |
| 108-1702-101   | Red   | 108-1703-101 | Black |

**For Standard Banana Jack: .166 (4.23) Diameter For Low Voltage (50 WVDC) Applications FEATURES:**

- Fast solderless connection of up to 16 gauge wire
- Set screw for dependable connections with low voltage
- Nylon UL approved for self extinguishing

† Avoid user injury due to misapplication. See safety advisory definitions on page 2.

## Insulated Hex Body Solder Stud

### SPECIFICATIONS

**Plug Body:** Brass per QQ-B-626D

**Plug Spring:** Nickel silver per QQ-C-585

**Finish:** Nickel

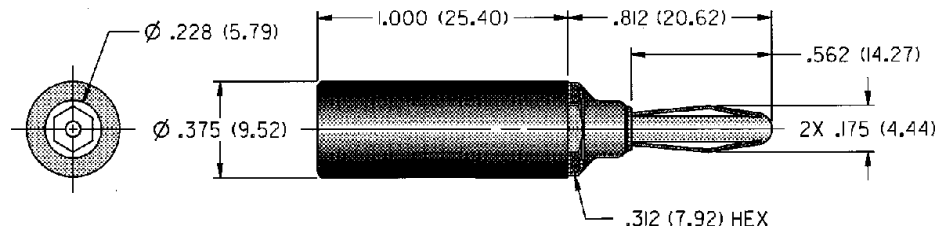
**Insulated Handle:** Nylon 6/6 per ASTM D4066

### RATINGS

**Current:** 15 amps

**Breakdown Voltage:** 3500 Vrms minimum †

**Contact Resistance:** 0.010 ohms maximum



| NICKEL PLATING |       |              |       |
|----------------|-------|--------------|-------|
| PART NO.       | COLOR | PART NO.     | COLOR |
| 108-1762-101   | Red   | 108-1763-101 | Black |

**For Standard Banana Jack: .166 (4.23) Diameter**

### FEATURES:

- Wire can be soldered to threaded stud or flared and held by stud for solderless connection
- Solder stud accepts up to 16 gauge wire
- Nylon UL approved for self extinguishing

## Insulated Round Body Solder Stud

### SPECIFICATIONS

**Plug Body:** Brass per QQ-B-626D

**Plug Spring:** Nickel silver per QQ-C-585

**Finish:** Nickel

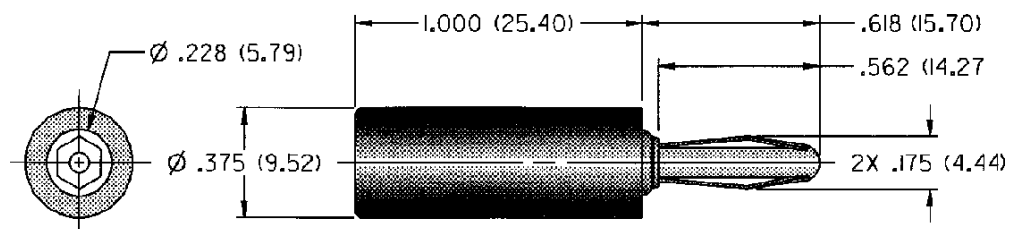
**Insulated Handle:** Nylon 6/6 per ASTM D4066

### RATINGS

**Current:** 15 amps

**Breakdown Voltage:** 3500 Vrms minimum †

**Contact Resistance:** 0.010 ohms maximum



| NICKEL PLATING |       |              |       |
|----------------|-------|--------------|-------|
| PART NO.       | COLOR | PART NO.     | COLOR |
| 108-1722-101   | Red   | 108-1723-101 | Black |

**For Standard Banana Jack: .166 (4.23) Diameter**

### FEATURES:

- Wire can be soldered to threaded stud or flared and held by stud for solderless connection
- Solder stud accepts up to 16 gauge wire
- Nylon UL approved for self extinguishing

† Avoid user injury due to misapplication. See safety advisory definitions on page 2.

# Banana Plugs

APPLICATION • Test Equipment • Power Supplies

INCHES (MILLIMETERS)  
CUSTOMER DRAWINGS AVAILABLE UPON REQUEST

## Insulated Round Body Solderless

### SPECIFICATIONS

**Plug Body:** Brass per QQ-B-626D

**Plug Spring:** Nickel silver per QQ-C-585

**Finish:** Nickel

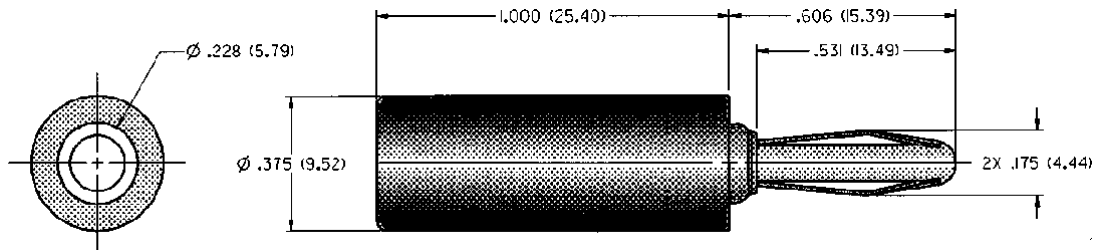
**Insulated Handle:** Nylon 6/6 per ASTM D4066

### RATINGS

**Current:** 15 amps

**Breakdown Voltage:** 3500 Vrms minimum †

**Contact Resistance:** 0.010 ohms maximum



| NICKEL PLATING |       |              |       |
|----------------|-------|--------------|-------|
| PART NO.       | COLOR | PART NO.     | COLOR |
| 108-1722-103   | Red   | 108-1723-103 | Black |

**For Standard Banana Jack: .166 (4.23) Diameter**

### FEATURES:

- Wire locked in place by screwing down handle
- Accepts up to 16 gauge wire
- Nylon UL approved for self extinguishing

## Insulated Stacking Single Type

### SPECIFICATIONS

**Plug Body:** Brass per QQ-B-626D

**Plug Spring:** Nickel silver per QQ-C-585

**Finish:** Nickel

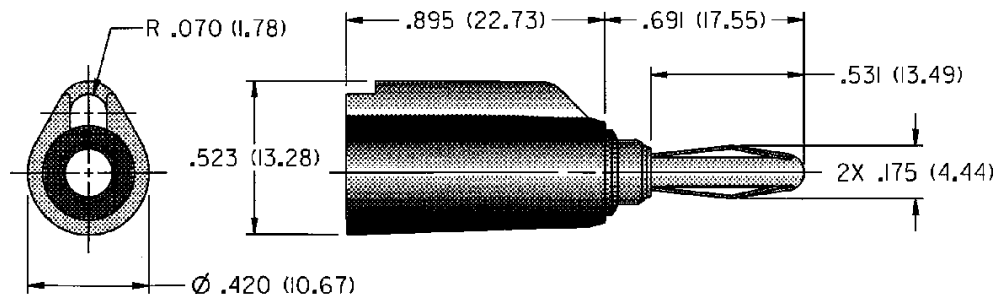
**Insulated Handle:** Nylon 6/6 per ASTM D4066

### RATINGS

**Current:** 15 amps

**Breakdown Voltage:** 3500 Vrms minimum †

**Contact Resistance:** 0.010 ohms maximum



| NICKEL PLATING |       |              |        |
|----------------|-------|--------------|--------|
| PART NO.       | COLOR | PART NO.     | COLOR  |
| 108-1081-001   | White | 108-1084-001 | Green  |
| 108-1082-001   | Red   | 108-1087-001 | Yellow |
| 108-1083-001   | Black | 108-1090-001 | Blue   |

**For Standard Banana Jack: .166 (4.23) Diameter**

### FEATURES:

- Built in strain relief for long life
- Solder stud accepts up to 16 gauge wire
- Accepts standard banana plug from rear
- Nylon UL approved for self extinguishing

For assembly tools see page 188.

† Avoid user injury due to misapplication. See safety advisory definitions on page 2.

### Insulated Stacking Dual Type

#### SPECIFICATIONS

**Plug Body:** Brass per QQ-B-626D

**Plug Spring:** Nickel silver per QQ-C-586

**Finish:** Nickel

**Insulated Handle:** Nylon 6/6 per ASTM D4066

#### RATINGS

**Current:** 15 amps

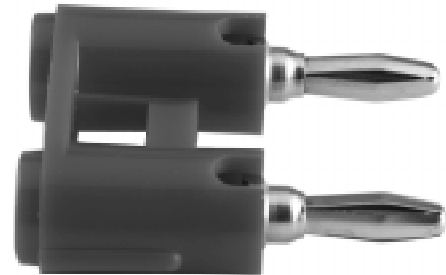
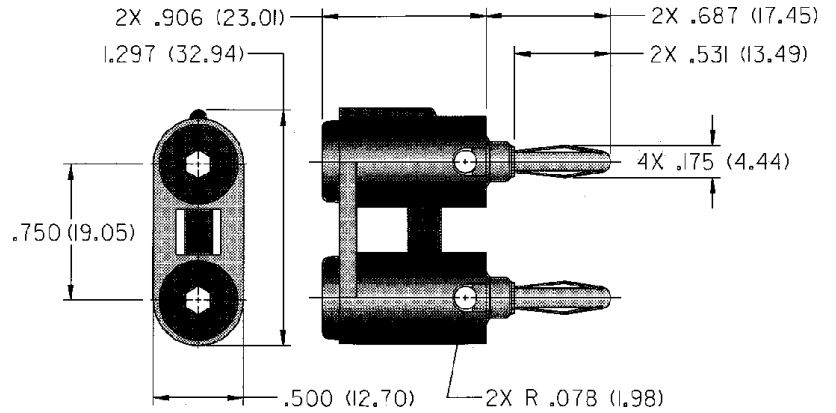
**Breakdown Voltage:** 3500 Vrms minimum †

**Contact Resistance:** 0.010 ohms maximum

**For Standard Banana Jack: .166 (4.23) Diameter**

#### FEATURES:

- Accepts standard banana plug from rear
- Built-in strain relief for long life
- Nylon UL approved for self extinguishing



| NICKEL PLATING                                   |       |
|--|-------|
| SET SCREW<br>(Accepts wire sizes up to 14 gauge) |       |
| PART NO.   | COLOR |
| 108-0252-001                                     | Red   |
| 108-0253-001                                     | Black |

# Jumbo Banana Plugs

APPLICATION • Test equipment • Power supplies

# JOHNSON Components®

INCHES (MILLIMETERS)  
CUSTOMER DRAWINGS AVAILABLE UPON REQUEST

## Uninsulated Threaded Stud

### SPECIFICATIONS

**Plug Body:** Brass per QQ-B-626D

**Plug Spring:** Nickel silver per QQ-C-585

**Finish:** Nickel

#### Hardware:

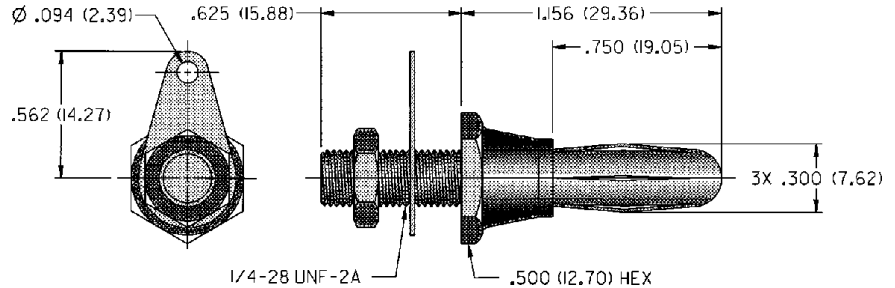
Nickel plated nut;  
stamped tin plated  
solder terminal (unassembled)

**Panel Thickness:** Up to .437 (11.10)

### RATINGS

**Current:** 40 amps

**Contact Resistance:** 0.010 ohms maximum



|                       |
|-----------------------|
| <b>NICKEL PLATING</b> |
| <b>PART NO.</b>       |
| 108-0770-001          |

For Jumbo Size Banana Jack: .277 (7.04) Diameter

#### FEATURES:

- High current capacity
- Tin plated solder terminal with pierced hole for up to 12 gauge wire

## Uninsulated Panel Mount Screw Type, Pierced Lug Terminal

### SPECIFICATIONS

**Plug Body:** Brass per QQ-B-626D

**Plug Spring:** Nickel silver per QQ-C-585

**Finish:** Nickel

#### Hardware:

Nickel plated screw; stamped tin plated  
solder terminal (unassembled)

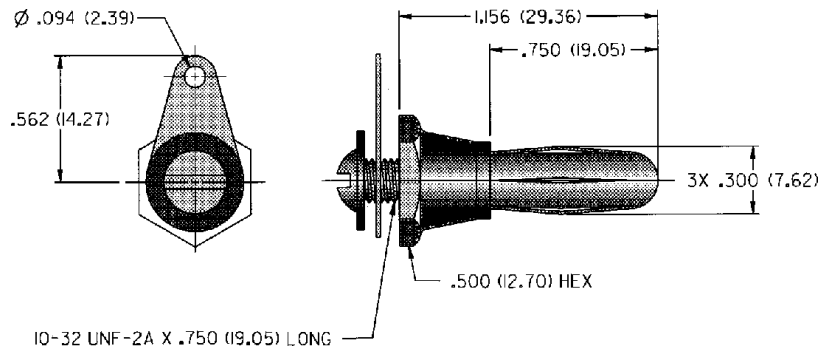
#### Panel Thickness:

Range from .093 (2.40) to  
.500 (12.7)

### RATINGS

**Current:** 40 amps

**Contact Resistance:** 0.010 ohms maximum



|                       |
|-----------------------|
| <b>NICKEL PLATING</b> |
| <b>PART NO.</b>       |
| 108-0771-001          |

For Jumbo Size Banana Jack: .277 (7.04) Diameter

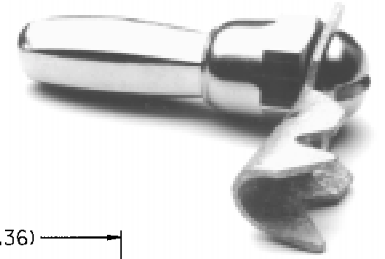
#### FEATURES:

- High current capacity
- Tin plated solder terminal with pierced hole for up to 12 gauge wire

† Avoid user injury due to misapplication. See safety advisory definitions on page 2.



### Uninsulated Panel Mount Screw Type, Crimp Lug Terminal



#### SPECIFICATIONS

**Plug Body:** Brass per QQ-B-626D

**Plug Spring:** Nickel silver per QQ-C-585

**Finish:** Nickel

#### Hardware:

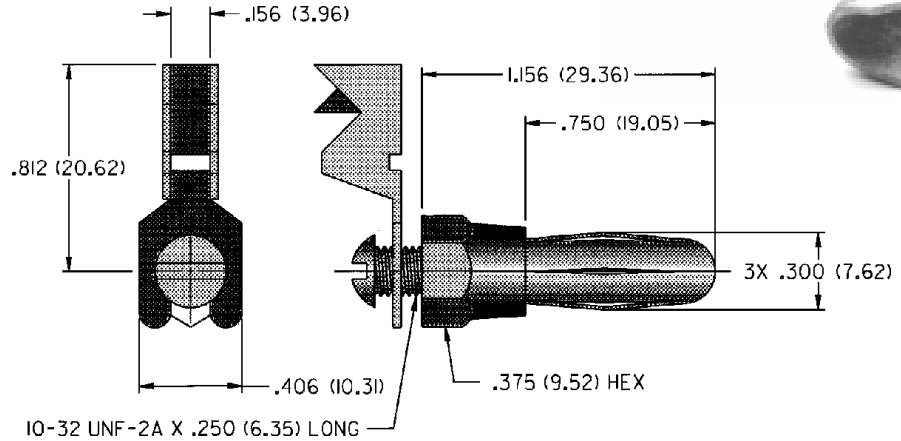
Nickel plated screw; stamped tin plated  
spade lug (unassembled)

**Panel Thickness:** Up to .125 (3.20)

#### RATINGS

**Current:** 40 amps

**Contact Resistance:** 0.010 ohms maximum



|                       |
|-----------------------|
| <b>NICKEL PLATING</b> |
| <b>PART NO.</b>       |
| 108-0771-102          |

**For Jumbo Size Banana Jack: .277 (7.04) Diameter**

#### FEATURES:

- High current capacity
- Tin plated crimpable spade lug for connection of wires up to 10 gauge