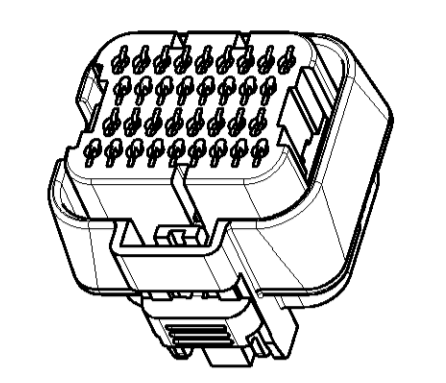
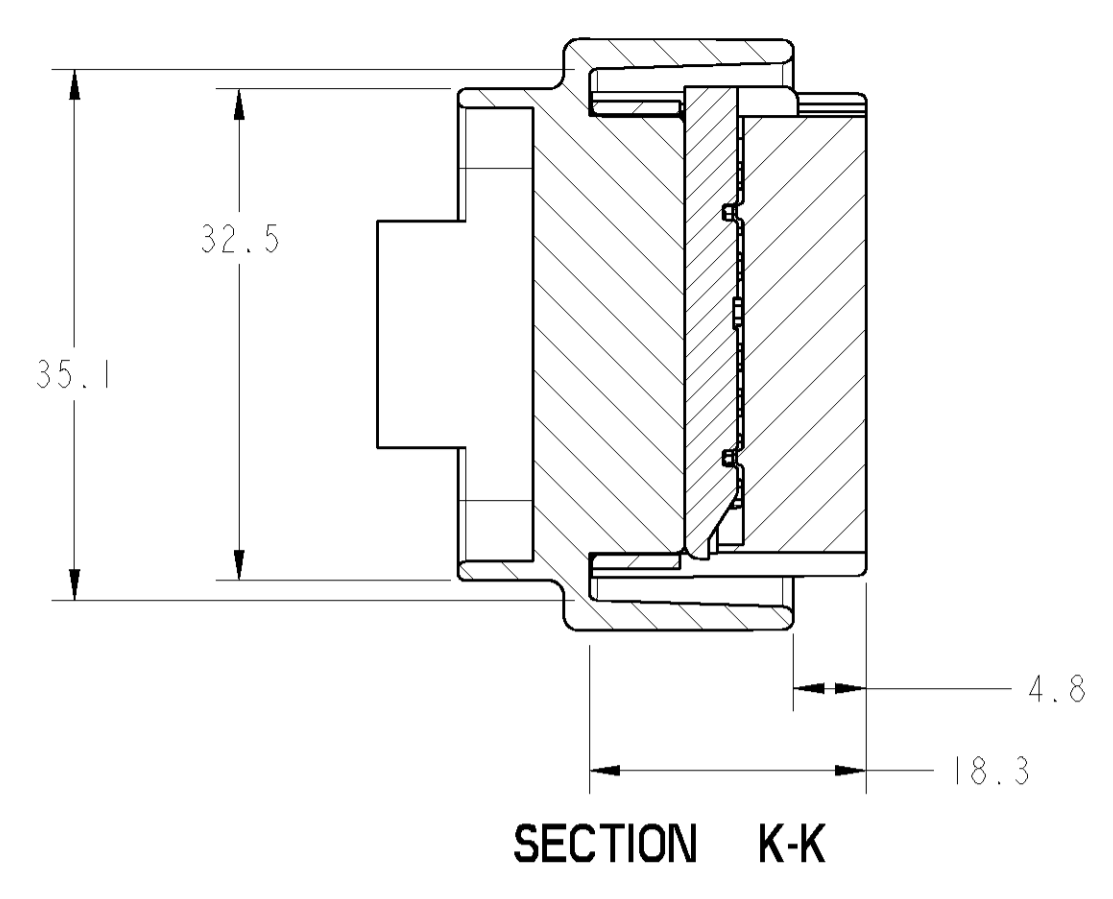
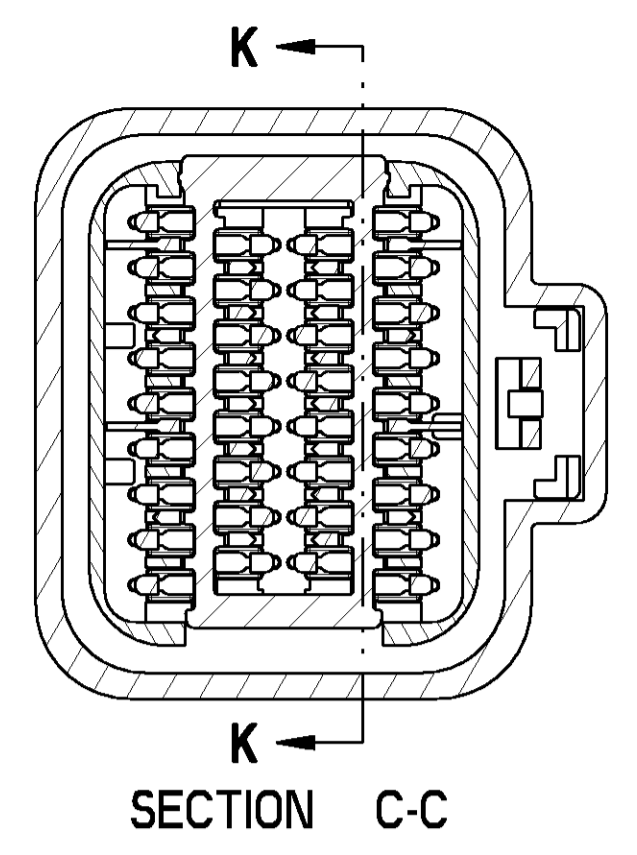
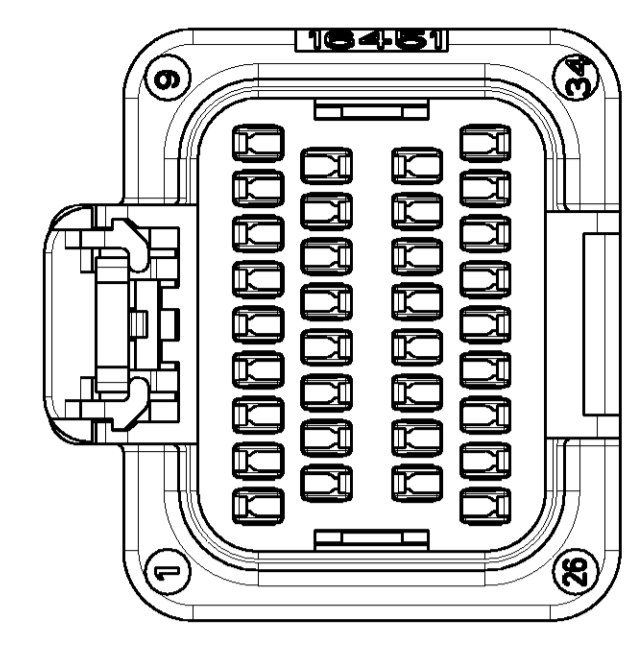
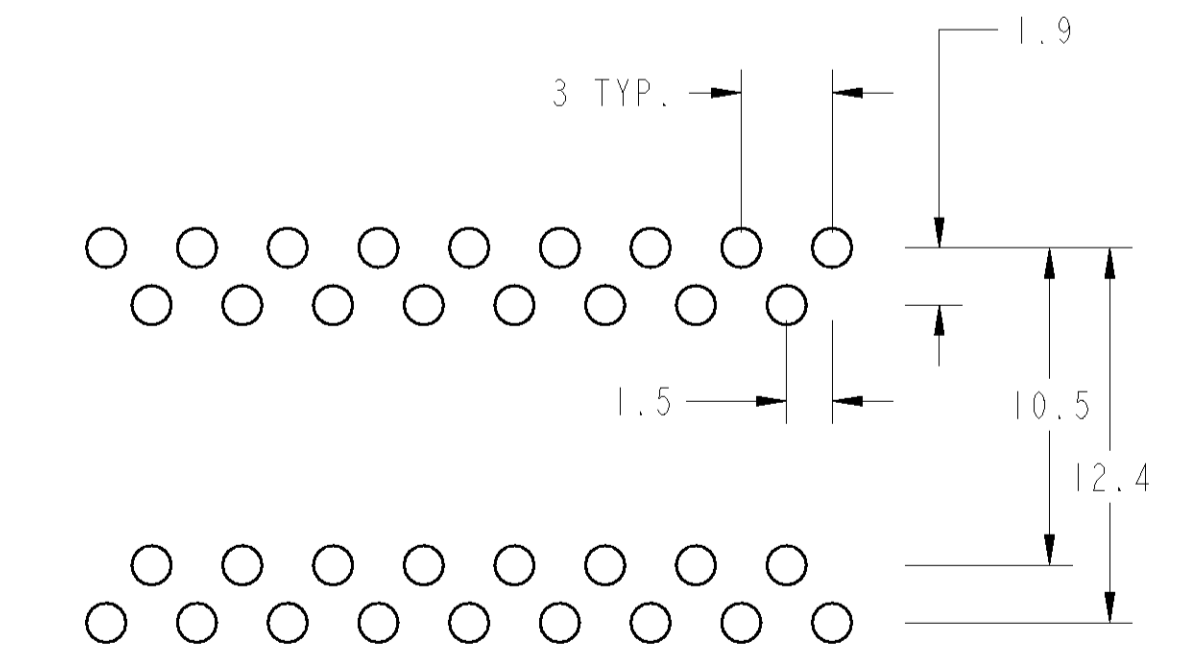
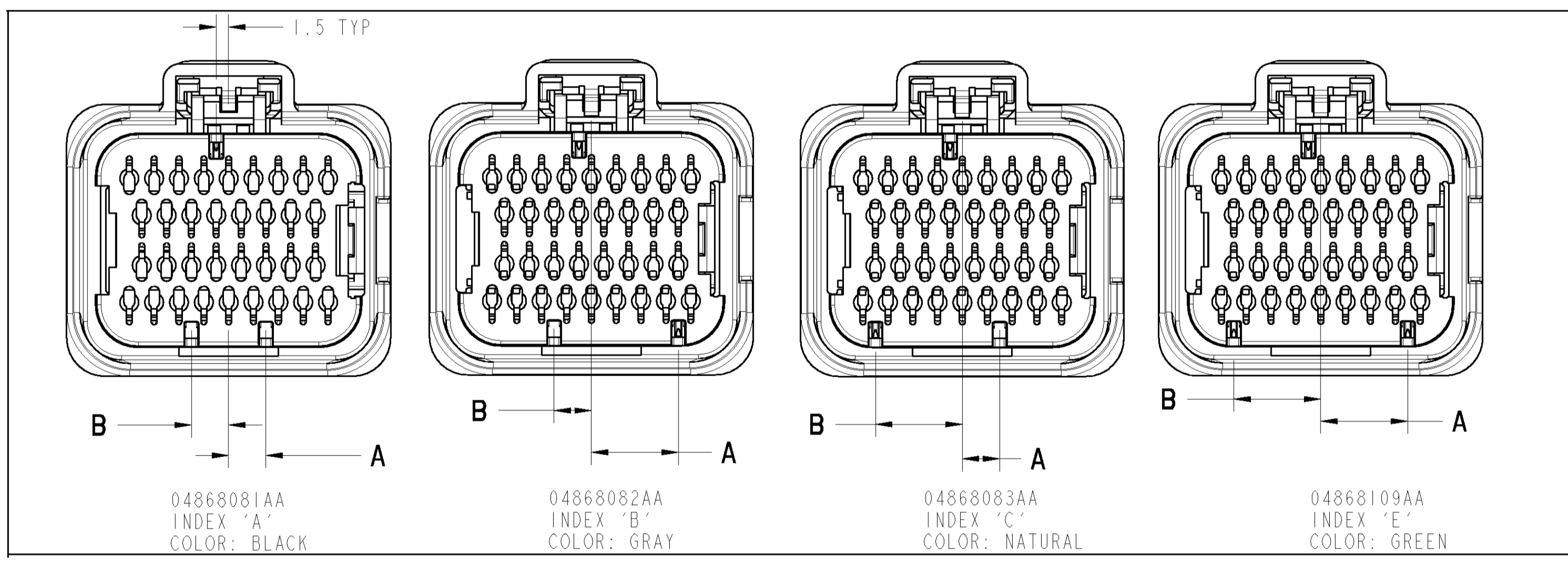
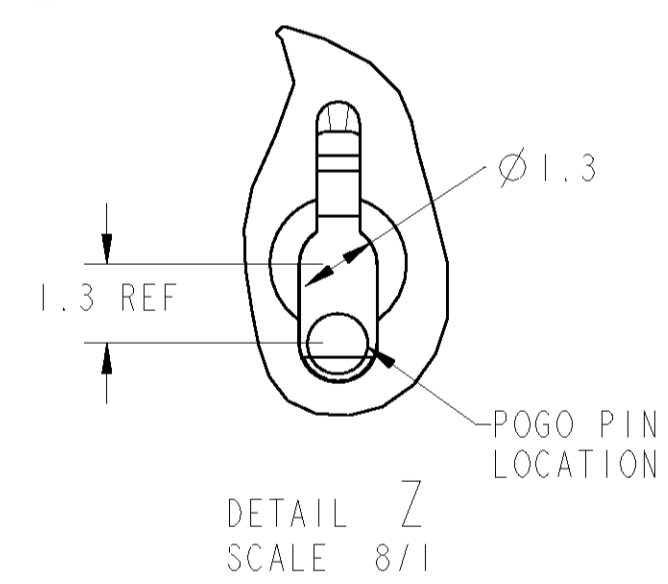
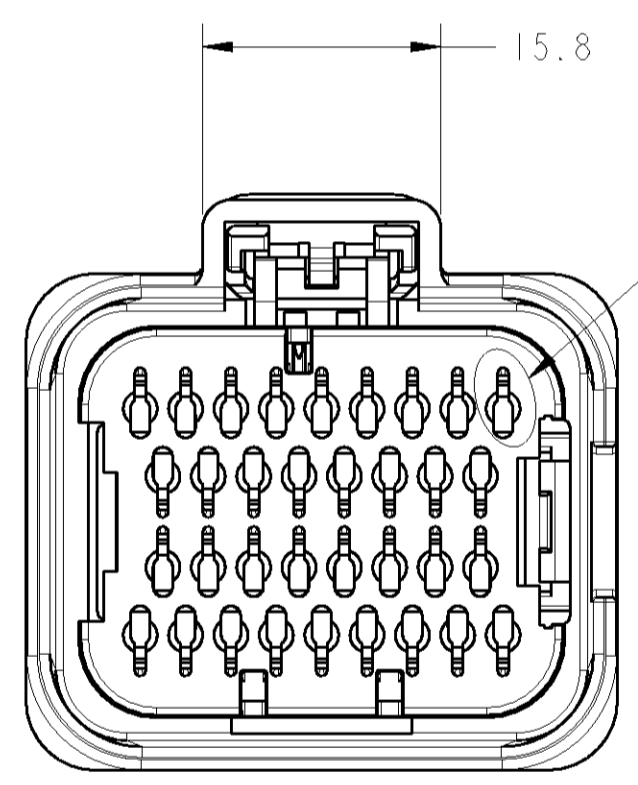
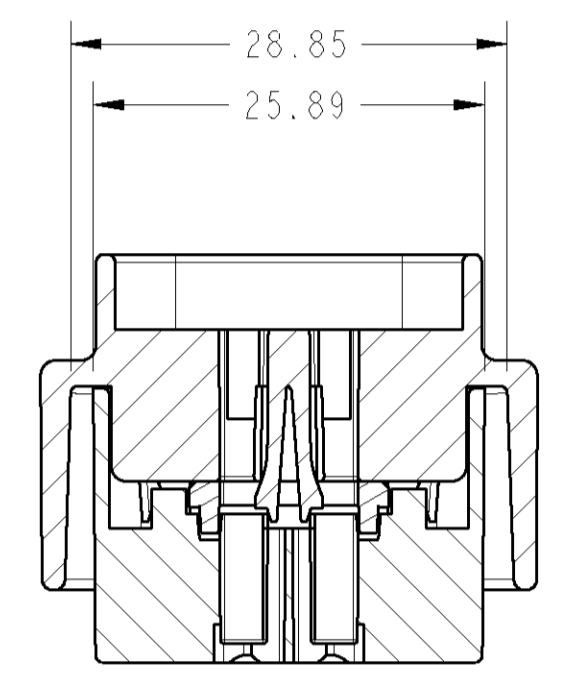
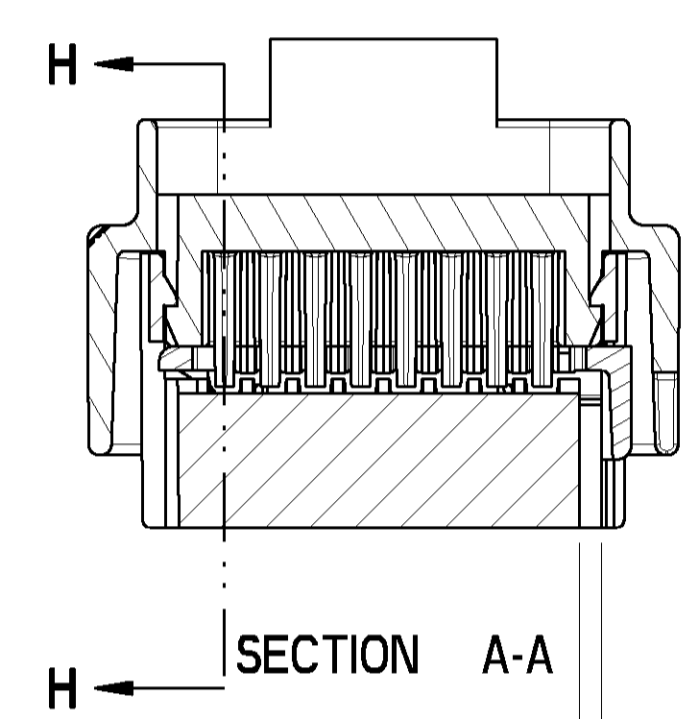
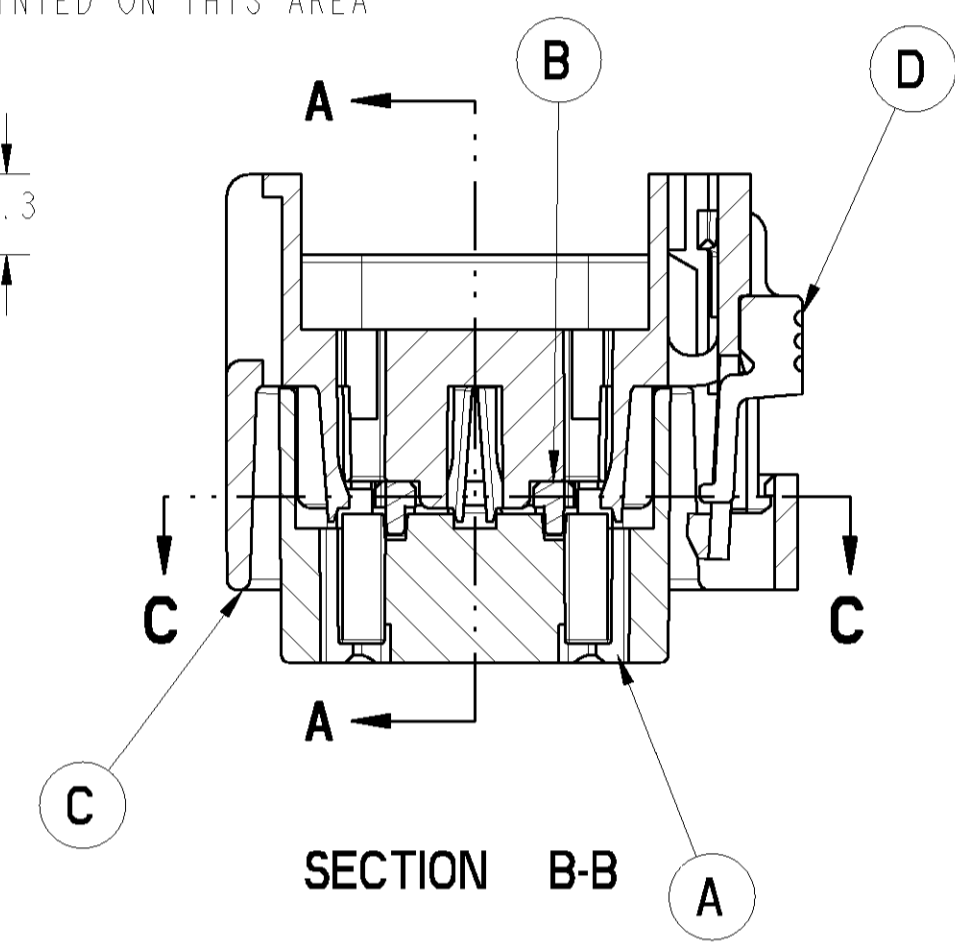
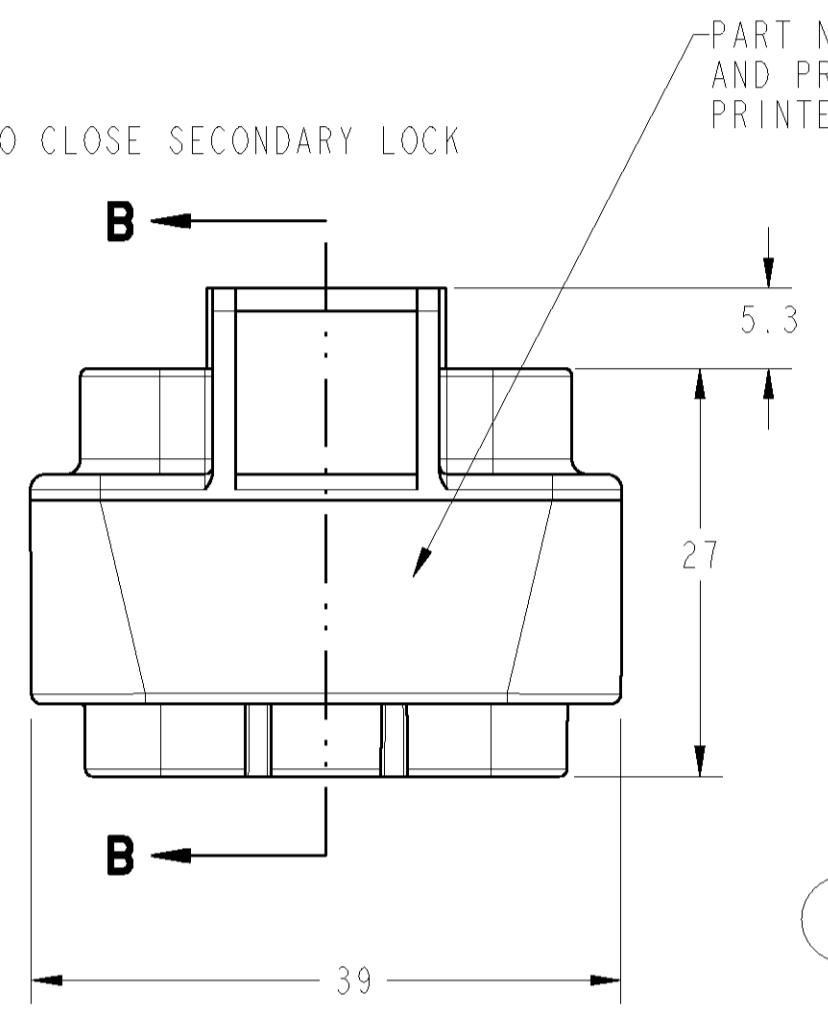
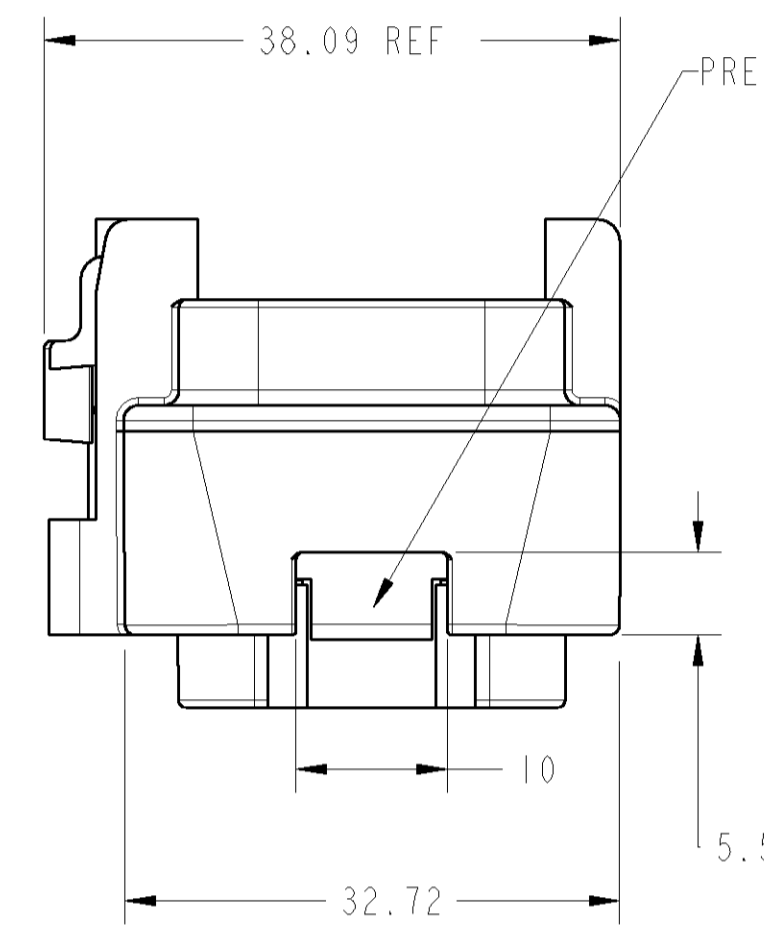
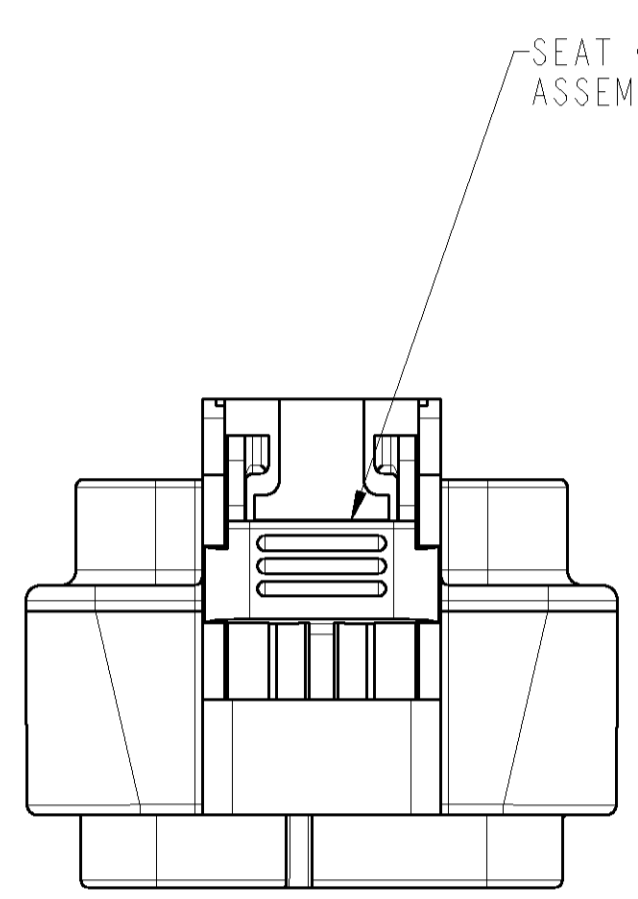


LOC	DIST	REVISIONS					
HK	00	P	LTR	DESCRIPTION	DATE	DWN	APVD
		0		INITIAL RELEASE	25JUN2002	WTW	WTW
		A		ECR-05-002758	09MAY2005	KB	BH



SCALE 1/1



TYCO ASSEMBLY #	CHRYSLER ASSEMBLY #
3-1454396-9	04868081AA
4-1454396-0	04868082AA
4-1454396-1	04868083AA
4-1454396-2	04868109AA

- NOTES:
- ALL DIMENSIONS TO CORNERS WITH A RADIUS ARE TAKEN FROM THEORETICAL SHARP CORNERS UNLESS OTHERWISE EXPLICITLY SHOWN.
 - WILL ACCEPT TERMINAL CHRYSLER P/N'S 04608783AA-18 (TYCO P/N 1456004-1) AND/OR 0468783AA-20 (TYCO P/N 1456004-2).
 - TERMINAL EXTRACTION TOOL P/N 8638
SUPPLIER: SPX MILLER SPECIAL TOOLS
28635 MOUND ROAD
WARREN, MI 48092
 - SECONDARY LOCK MUST BE IN THE OPEN POSITION PRIOR TO REMOVING TERMINALS.
 - REFERENCE DAIMLER-CHRYSLER DRAWING 04868375AA FOR DAIMLER-CHRYSLER SPECIFIC REQUIREMENTS.

ITEM	A	B		COLOR	DESCRIPTION	MATERIAL
A	4.5	4.5	X	BLACK	34 WAY BCM CONN INSULATOR INDEX A	G.E. VALOX 508
A	10.5	4.5	X	GRAY	34 WAY BCM CONN INSULATOR INDEX B	G.E. VALOX 508
A	4.5	10.5	X	NATURAL	34 WAY BCM CONN INSULATOR INDEX C	G.E. VALOX 508
A	10.5	10.5	X	GREEN	34 WAY BCM CONN INSULATOR INDEX E	G.E. VALOX 508
B	--	--	X X X X	RED	34 WAY BCM CONN SECONDARY LOCK	PA66 GF35
C	--	--	X X X X	BLACK	34 WAY BCM CONN MAIN BODY	G.E. NORYL GTX 8430
D	--	--	X X X X	RED	C.P.A.	DUPONT ZYTEL DMX 61G15H

DIMENSIONS:		TOLERANCES UNLESS OTHERWISE SPECIFIED:		TYCO ELECTRONICS	
mm	0 PLC ±.3	1 PLC ±.3	2 PLC ±.3	3 PLC ±.3	4 PLC ±.3
	ANGLES	FINISH		MATERIAL SEE TABLE	
DWN: 25JUN2002		ENR: 25JUN2002		APVD: 25JUN2002	
NAME: 34 WAY BCM CONNECTOR RS BCM SOCKET CONNECTION ASSEMBLY		SIZE: 00779		DRAWING NO: 3-1454396-9	
WEIGHT: 20.38 gm		CUSTOMER DRAWING		SCALE: 2/1	