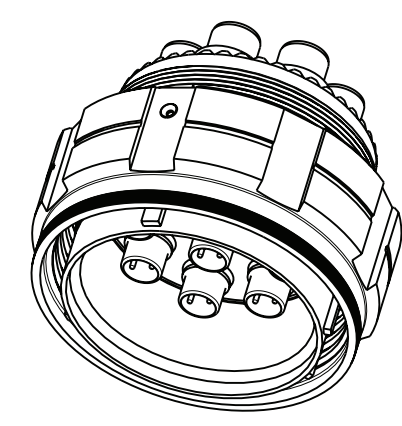
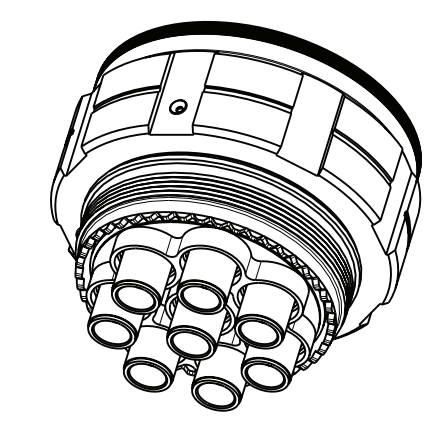


REV. B		SHEET 1 OF 1		DOCUMENT NO. 10-628485-336( )	
REVISIONS					
LTR	DESCRIPTION			DATE	
A	INITIAL RELEASE			30-Jun-2005	
B	(CL II) ADDED NOTE 5 SEE ECN B0324			---	

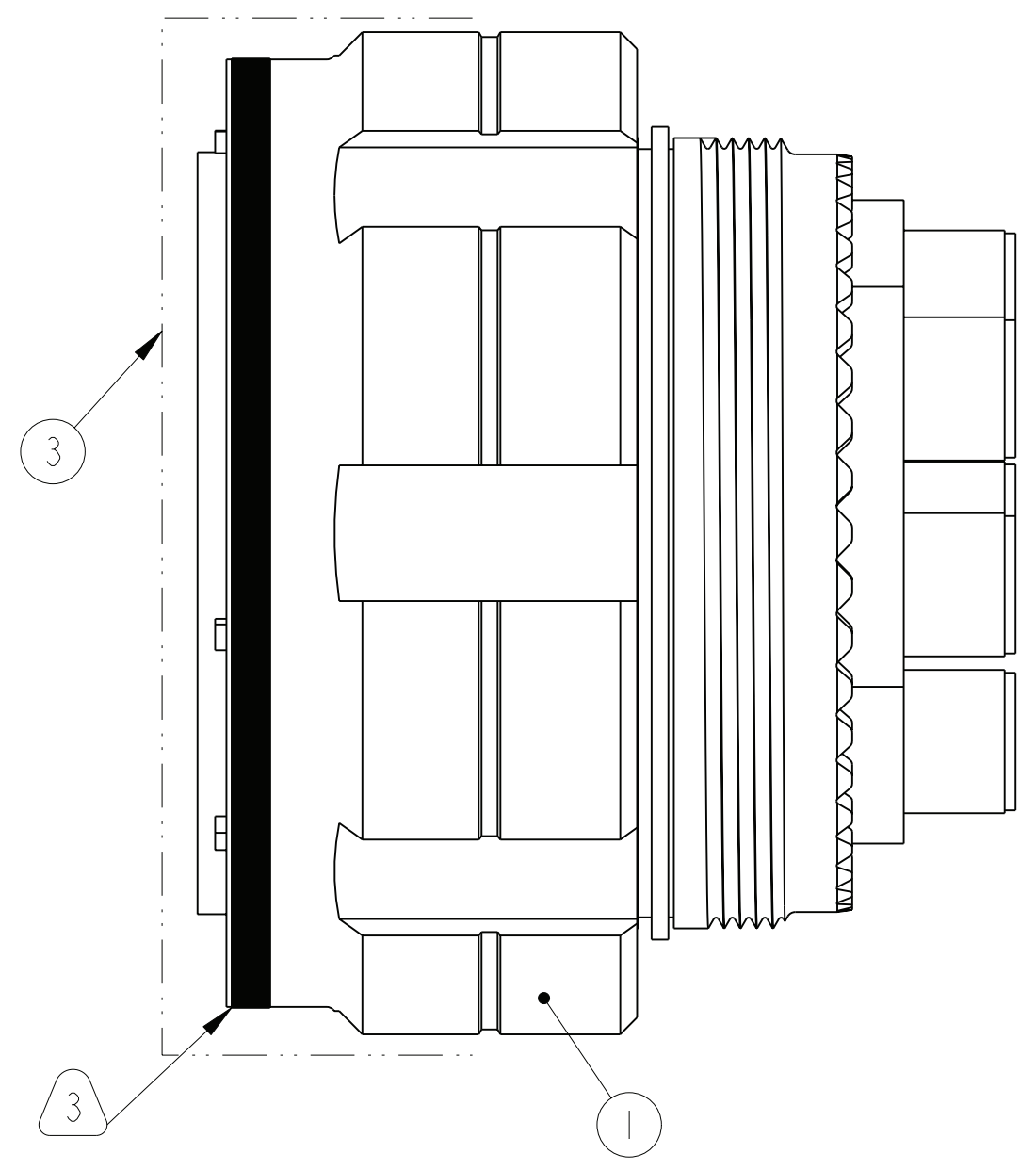
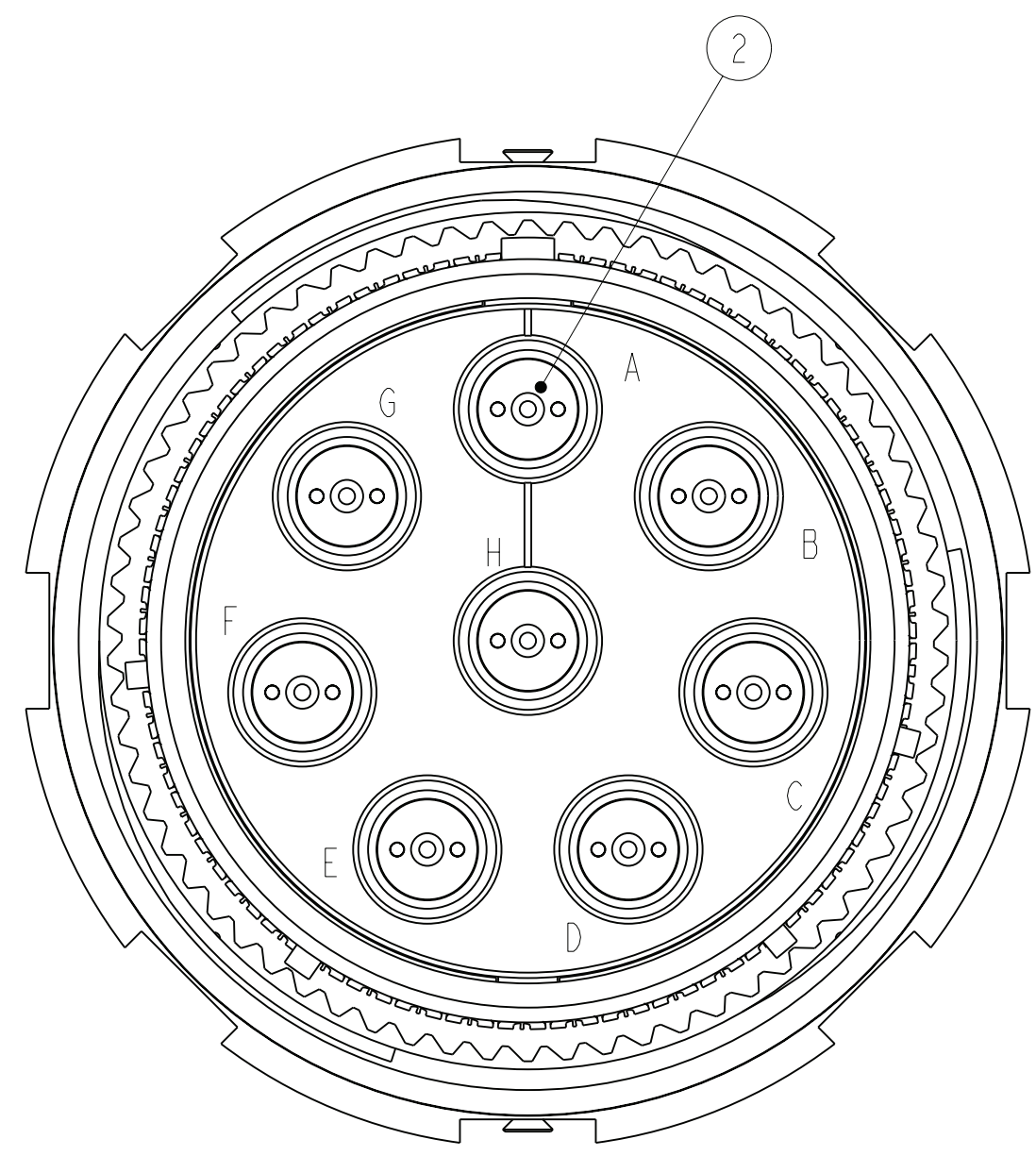
KIT PART NUMBER	KIT TYPE	CONNECTOR PART NUMBER	CODED CONNECTOR PART NUMBER REF.
10-628485-336N	I	TV06RQK258PL	TV06RQK-25-8P(LC)
10-628485-336A		TV06RQK258PAL	TV06RQK-25-8PA(LC)
10-628485-336B		TV06RQK258PBL	TV06RQK-25-8PB(LC)
10-628485-336C		TV06RQK258PCL	TV06RQK-25-8PC(LC)
10-628485-336D		TV06RQK258PDL	TV06RQK-25-8PD(LC)
10-628485-336E		TV06RQK258PEL	TV06RQK-25-8PE(LC)



FRONT ISOMETRIC VIEW  
SCALE 1.000



REQAR ISOMETRIC VIEW  
SCALE 1.000



ALTERNATE SHELL ROTATION

CONNECTOR EXCEPT LESS STAMPING

5. SEE WORK ORDER FOR PERMISSIBLE ADDITIONAL OR ALTERNATE STAMPING

4. PROCESS SPEC:  
9-3895, 9-5788  
PROCESS CONTROL 9-4796  
SPECIAL CONTROL 9-6000-5

3. STAMP "AMPHENOL", KIT PART NUMBER, DATE CODE (9-3895) AND LOT NUMBER PER 9-5788.  
EXAMPLE:  
AMPHENOL 10-628485-336A 0525 001000

2. PACKAGE PER PRODUCTION PROCESS SHEET.

1. KIT TYPE I: CONTACTS AND INSULATORS, IF PRESENT, ARE SHIPPED UNASSEMBLED.  
KIT TYPE II: CONTACTS AND INSULATORS, IF PRESENT, ARE SHIPPED ASSEMBLED IN CONNECTORS.

NOTES:

THE USE OF THIS DOCUMENT IS UNLIMITED. HOWEVER, DOCUMENTS REFERENCED HEREON MAY CONTAIN LIMITED RIGHTS DATA.

N/A  
NEXT ASSEMBLY

PRO/ENGINEER INFORMATION  
Pro/e Model Used:  
10-628485-336X.ASSEM  
Drawing Name:  
10-628485-336X

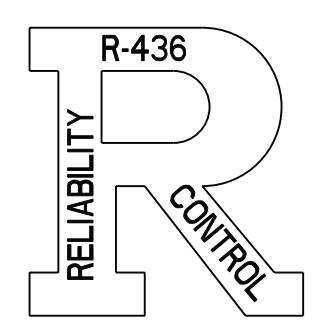
FOR UNIT ILLUSTRATION AND DIMENSIONAL DATA, SEE DOCUMENT TV06RQK-XX-XXX

UNLESS OTHERWISE SPECIFIED	SPECIFICATIONS
LINEAR DIMENSIONS ARE IN INCHES TOLERANCES: .XXXX = ±.0005 ANGLES= ±2° .XXX = ±.010 .XX = ±.03 .X = ±.1	MATERIAL SPEC. N/A
DIM. & TOL. PER ASME Y14.5M; DRM PER MIL-DTL-31000; OTHER Amphenol Stds. PER 9-3800	PROCESS SPEC. SEE NOTE 4
LEGENDS: = FLAG NOTE CALL OUT REFERENCE ONLY	

POS	QTY	PART NUMBER	DESCRIPTION	NOTE
3	1	21-099731-029	PROTECTION CAP	
2	8	21-033387-031	DIFF. TWINAX PIN, 150 OHM	
1	1	SEE COLUMN	CONNECTOR	

APPROVALS	DATE
PREPARED BY D. PHILLIPS	
ENGINEER IN CHARGE D. PHILLIPS	21-Jun-05
DESIGN MANAGER A. DAVIS	
DESIGN ACTIVITY GROUP MIL-AERO	

PARTS LIST			
<b>AMPHENOL CORPORATION</b> 40-60 DELAWARE AVENUE SIDNEY, N.Y. 13858			
<b>CONNECTOR, ELECTRICAL, TYPE: TV06RQK-25-8P( ), DIFFERENTIAL TWINAX CONTACTS</b>			
SIZE <b>C</b>	CAGE CODE <b>77820</b>	DOCUMENT NO. <b>10-628485-336( )</b>	REV. <b>B</b>
SCALE: 3.0		REF. TV06RQK-XX-XXX	SHEET 1 OF 1



DOCUMENT NO. 10-628485-336( ) SHEET 1 OF 1 REV. B

RELEASE STATE Released REVISION B VERSION I

SHEET 1 OF 1 REV. B

DOCUMENT NO. 10-628485-336( )

FORMAT: C-U-E-I