

ZIF Shrouds for CompactPCI Backplanes

ZIF Shrouds

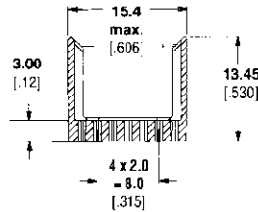
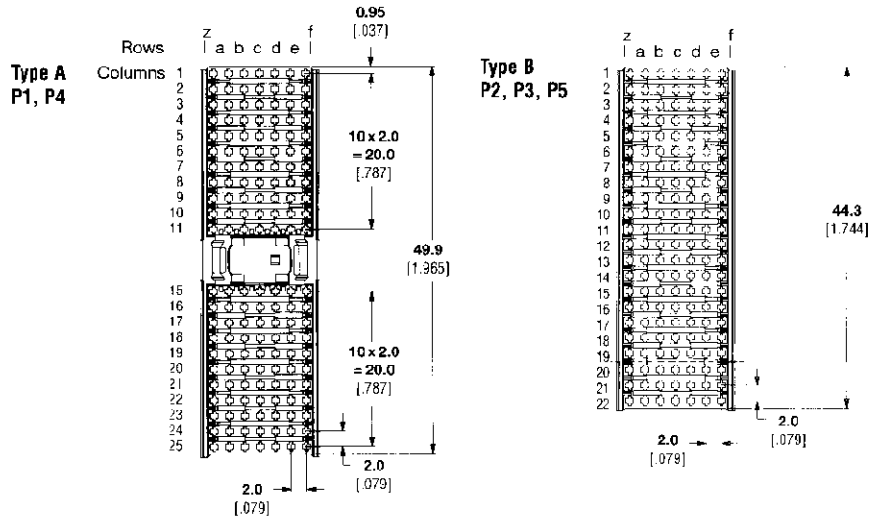
Zero insertion force shrouds are used with spacers which have two functions.

- Minimizes potential wear on plated contact surfaces.
- Compensate for CompactPCI backplane thicknesses to provide required pin mating levels.

Spacers are fitted to shrouds and then assembled to the pins. Clamping is effected by pressing the shroud with a male insertion tool. 5 row shrouds are suitable for 5 or 5+1, 5+2 rows of pins.

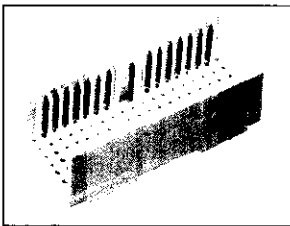
Materials

Glass filled polyester housing, gray, UL94 V-0 rated



Shroud Type	Part Number
A	106137-2
B (19)	352011-2
B (22)	352130-2

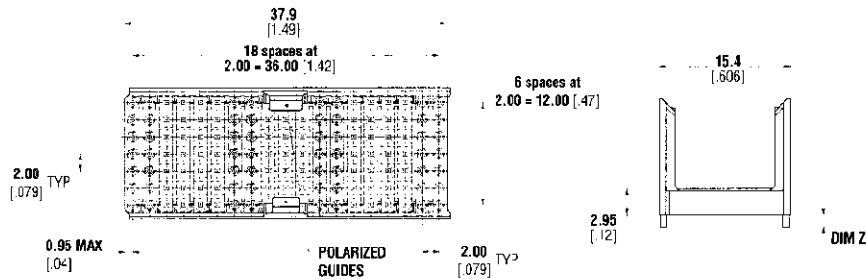
Type AB Shrouds (One piece)



RP3 Type AB Shroud

A one piece shroud is now available that can be used with several backplane thicknesses to provide required pin mating levels (see chart for options available). This shroud allows for connector alignment and guidance without sacrificing signal count due to the coding key feature.

Ideally, the sum of backplane and stand-off height (Z) should be 4.7mm which would give pin mating levels equivalent to those of a pin header.



Shroud Type	Part Numbers						
	DIM Z	0.9 [035]	1.1 [043]	1.3 [051]	1.5 [059]	1.7 [067]	1.9 [075]
AB (19)		646483-2	646483-3	646483-4	646483-5	646483-6	646483-7