



SCHROFF

Project - 0 item(s)

MY PROJECT LIST

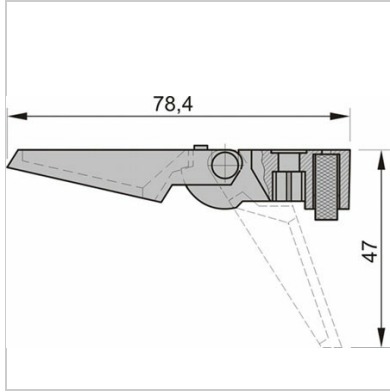
- PRODUCTS
- APPLICATIONS
- INDUSTRIES
- NEW PRODUCTS
- CONFIGURATORS
- Products ▾
- Search
-

Home > Tip-up feet made of plastic



Tip-up feet made of plastic

SCHROFF



Catalog Number: 10603-025

[Back To Product](#)

- Can be used instead of standard feet
- Load-carrying capacity: 25 kg per foot, max case weight 40 kg
- Mounting holes are provided in floor of case
- Positioning of case is secured by anti-slip rubber inserts

Product family:

- RatiopacPRO
- PropacPRO
- Comptec
- CompacPRO

Note:

Delivery is in standard pack multiples. Pricing is per individual item

Type:

Individual Components

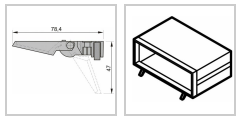
Individual Component Type:

Foot

Standard pack quantity (SPQ):

Please take into consideration that deliveries may be carried out in the stated SPQs (SPQ, e.g. 5 pieces, 10 pieces, 50 pieces, etc.). Differing order quantities (e.g. 2 pieces) may be changed to the next possible delivery quantity = Standard Pack Quantity.

Other Views



Select product specifications before modifying or adding to project list or requesting a quote.

Color-defining

Configuration-defining

[Clear Selection](#)

Quantity

Add Item to Project List +

Links

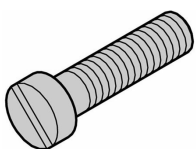
Native CAD files



Technical Data


Qty	1 piece (SPQ 10)
Delivery is exclusively made in Standard Pack Quantity (SPQ)	10
Color	black
Description	Foot with tip-up, PA, UL 94 HB

Accessories



Cheesehead screw with slot, M4 x 12, St, zinc-plated, PU 100 pieces 21101-211

Add Item to Project List +

	Spring washer, A4, St, zinc-plated, PU 100 pieces	21100-207	Add Item to Project List +
	Hexagon nut, M4, St, zinc-plated, PU 100 pieces	21100-211	Add Item to Project List +
	Hexagon nut, M4, St, zinc-plated, PU 100 pieces	21100-513	Add Item to Project List +

EXPLORE

[About Us](#)
[Services & Capabilities](#)
[News & Events](#)
[Newsletter Subscriptions](#)
[Strategic Partnerships](#)
[Investor Relations](#)
[Virtual Patent Marking](#)

CONTACT

[Customer Service](#)
[Find a Sales Office or Distributor](#)
[Global Locations](#)
[Product Compliance & Certifications](#)
[Partner Login](#)

DOWNLOAD

[Download Center](#)
[Reference Projects](#)
[Videos](#)
[Product Configurators](#)
[Warranties and Terms of Sale & Procurement](#)

© 2018 nVent. All rights reserved | [Privacy Policy](#) | [Terms of Use](#) | [Site Map](#)

Connect With Us

