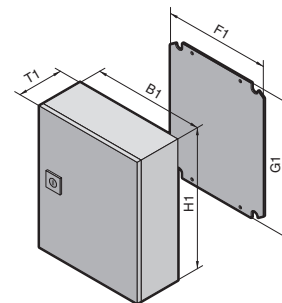
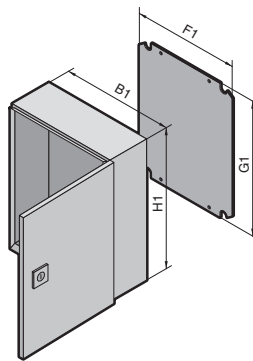


Compact enclosures AE

Width: 200 – 600, height: 300 – 400



1.2 Compact enclosures AE

Material:
Sheet steel

Surface finish:
Enclosure and door:
Dipcoat-primed,
powder-coated in textured
RAL 7035 on the outside
Mounting plate: Zinc-plated

Protection category:
IP 66 to EN 60 529/09.2000,
complies with NEMA 4.

Supply includes:
Enclosure of all-round solid
construction, single-door,
1 gland plate in the enclosure
base,
r/h door hinge, may be swapped
to opposite side (except with
AE 1032.500 and AE 1035.600),
with one cam lock,
foamed-in door seal,
mounting plate.

Approvals,
see page 28.

Detailed drawing,
see page 1177.

Width (B1) mm	Packs of	200	200	300	300	300	380	380	380	600	600	Page
Height (H1) mm		300	300	300	300	400	300	300	380	380	380	
Depth (T1) mm		120	155	155	210	210	155	210	210	210	350	
Mounting plate width (F1) mm		162	162	254	254	254	334	334	334	549	549	
Mounting plate height (G1) mm		275	275	275	275	375	275	275	355	355	355	
Mounting plate thickness mm		2.0	2.0	2.0	2.0	2.0	2.0	2.0	2.0	2.5	2.5	
Model No. AE	1	1032.500	1035.500	1036.500	1033.500	1034.500	1030.500	1031.500	1380.500	1039.500	1339.500	
Weight (kg)		4.0	4.5	6.1	7.0	8.8	7.4	7.5	9.8	15.4	20.0	

Accessories

Gland plate	Size	1	1	–	–	–	3	3	3	5	5	from 1048
	Qty.	1	1	–	–	–	1	1	1	1	1	

Lock systems

Standard double-bit lock insert may be exchanged for 27 mm lock inserts, type A, see page 956, lock cylinder, plastic handles and T handles, type B, see page 954 – 957.

To order enclosures in textured RAL 7032 please add extension .600 to the Model No., and for primed enclosures use extension .800. Delivery times available on request.



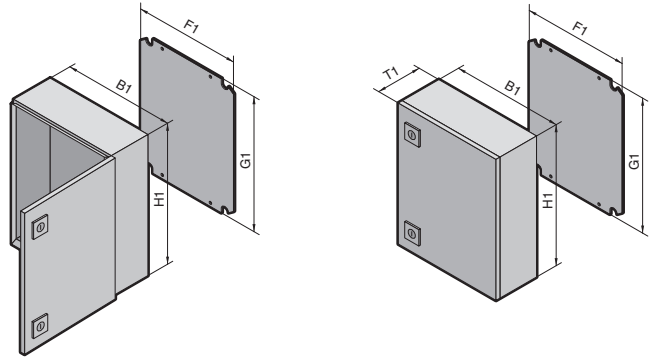
Cable glands
of polyamide or brass,
Model No. see page 1054.



Dust guard trim
for the gap between the door
and the enclosure,
Model No. see page 970.

Compact enclosures AE

Width: 380 – 800, height: 500 – 1000



Material:
Sheet steel

Surface finish:
Enclosure and door:
Dipcoat-primed,
powder-coated in textured
RAL 7035 on the outside
Mounting plate: Zinc-plated

Protection category:
IP 66 to EN 60 529/09.2000,
complies with NEMA 4.

Supply includes:
Enclosure of all-round solid
construction, single-door,
1 gland plate in the enclosure
base,
r/h door hinge, may be swapped
to opposite side,
with 2 cam locks,
foamed-in door seal,
zinc-plated mounting plate.

Approvals,
see page 28.
Detailed drawing,
see page 1177.

Width (B1) mm	Packs of	380	380	400	400	500	500	500	600	600	Page
Height (H1) mm		600	600	500	800	500	500	700	600	600	
Depth (T1) mm		210	350	210	300	210	300	250	210	250	
Mounting plate width (F1) mm		334	334	354	349	449	449	449	549	549	
Mounting plate height (G1) mm		570	570	475	770	470	470	670	570	570	
Mounting plate thickness mm		2.5	2.5	2.0	2.5	2.5	2.5	3.0	2.5	2.5	
Model No. AE	1	1038.500	1338.500	1045.500	1037.500	1050.500	1350.500	1057.500	1060.500	1054.500	
Weight (kg)		15.6	19.4	13.0	26.2	16.8	19.6	31.2	22.8	24.8	

Accessories

Gland plate	Size	3	4	4	4	4	4	4	5	5	from 1048
	Qty.	1	1	1	1	1	1	1	1	1	

Width (B1) mm	Packs of	600	600	600	600	600	760	760	800	800	Page
Height (H1) mm		600	760	760	800	1000	760	760	600	1000	
Depth (T1) mm		350	210	350	250	250	210	300	300	300	
Mounting plate width (F1) mm		549	549	549	549	539	704	704	749	739	
Mounting plate height (G1) mm		570	730	730	770	955	730	730	570	955	
Mounting plate thickness mm		2.5	3.0	3.0	3.0	3.0	3.0	3.0	2.5	3.0	
Model No. AE	1	1360.500	1076.500	1376.500	1058.500	1090.500	1077.500	1073.500	1055.500	1180.500	
Weight (kg)		28.4	32.1	36.0	33.6	50.5	40.0	44.5	33.9	57.0	

Accessories

Gland plate	Size	5	5	5	5	5	5	5	5	5	from 1048
	Qty.	1	1	1	1	1	1	1	1	1	

Lock systems

Standard double-bit lock insert may be exchanged for 27 mm lock inserts, type A, see page 956, lock cylinder, plastic handles and T handles, type B, see page 954 – 957.

To order enclosures in textured RAL 7032 please add extension .600 to the Model No., and for primed enclosures use extension .800. Delivery times available on request.



Metal gland plates,
pre-punched,
Model No. see page 1049.

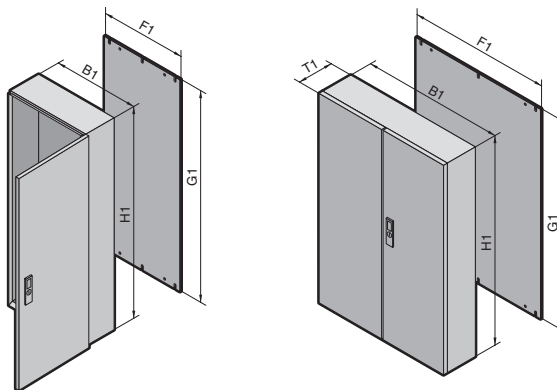


Plastic wiring plan pocket,
screw-fastened,
Model No. see page 966.

Compact enclosures AE

Width: 600 – 1000, height: 760 – 1400

1.2 Compact enclosures AE



Material:

Sheet steel
Enclosure: 1.5 mm
Door: 2.0 mm
Mounting plate: 3.0 mm

Surface finish:

Enclosure and door:
Dipcoat-primed,
powder-coated in textured
RAL 7035 on the outside
Mounting plate: Zinc-plated

Protection category:

IP 55 to EN 60 529/09.2000,
complies with NEMA 12.
IP 66 to EN 60 529/09.2000,
complies with NEMA 4 for
AE 1260.500, AE 1280.500.

Supply includes:

Enclosure of all-round solid
construction,
single-door: 1 gland plate,
twin-door: 2 gland plates in the
enclosure base,
3-point lock system,
prepared for use of the
Ergoform-S lock system,
2 cam locks for 1100.500,
1130.500, 1110.500,
foamed-in door seal,
zinc-plated mounting plate.

Approvals,

see page 28.

Detailed drawing,

see page 1178.



Possible alternative:

Compact system enclosures
Rittal CM, see page 132 – 133.

Width (B1) mm	Packs of	600	800	1000	1000	1000	1000	1000	Page
Height (H1) mm		1200	1200	760	760	1000	1200	1400	
Depth (T1) mm		300	300	210	300	300	300	300	
Mounting plate width (F1) mm		540	740	944	944	939	940	940	
Mounting plate height (G1) mm		1155	1155	730	730	955	1155	1355	
Model No. AE	1	1260.500	1280.500	1100.500	1130.500	1110.500	1213.500	1114.500	
Door(s)		1	1	2	2	2	2	2	
Weight (kg)		55.0	70.0	52.0	56.0	71.0	85.0	97.0	

Accessories

Self-tapping screws		300				2487.000			1011	
Base/plinth	Height 100 mm	1	2816.200	2818.200	–	2801.200	2801.200	2801.200	2801.200	901
	Height 200 mm	1	2826.200	2828.200	–	2802.200	2802.200	2802.200	2802.200	901
Stainless steel rain canopy		1	–	2475.000	–	2363.000	2363.000	2363.000	2363.000	969
Gland plate	Size		5	5	4	4	4	4	4	from 1048
	Qty.		1	1	2	2	2	2	2	
Eyebolts		4	2509.000	2509.000	–	–	–	2509.000	2509.000	974

Lock systems

Standard double-bit lock insert which may be exchanged for lock inserts 27 mm, type A, see page 956
and for lock system Ergoform-S (not for 1100.500, 1130.500, 1110.500), see page 953.

To order enclosures in textured RAL 7032 please add extension .600 to the Model No., and for primed enclosures use extension .800.
Delivery times available on request.



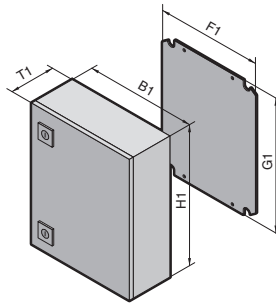
**Cable glands, reducers and
multi-seal inserts,**
Model No. see page 1054 –
1055.



**Compact light and
mounting kit magnet,**
Model No. see page 1027.

Stainless steel

Compact enclosures AE



1.6 B
Stainless steel

Material:

Stainless steel
Enclosure and door:
Stainless steel
Mounting plate: Sheet steel
Cam lock: Die-cast zinc,
nickel-plated

Surface finish:

Enclosure and door:
Brushed, grain size 240
Mounting plate: Zinc-plated

Protection category:

IP 66 to EN 60 529/09.2000
for AE 1001.XX0 – AE 1017.XX0,
complies with NEMA 4x.

Supply includes:

Enclosure, door(s) with foamed-
in PU seal, mounting plate.

Approvals,
see page 28.

Detailed drawing,
see page 1179.

Width (B1) mm	Packs of	200	200	300	380	380	300	380	600	400	Page
Height (H1) mm		300	300	300	300	300	380	380	380	500	
Depth (T1) mm		120	155	210	155	210	210	210	210	210	
Mounting plate width (F1) mm		162	162	254	334	334	254	334	549	354	
Mounting plate height (G1) mm		275	275	275	275	275	355	355	355	475	
Model No. AE	1.4301 (AISI 304) with PU seal	1	1001.600	1002.600	1003.600	1004.600	1011.600	1005.600	1006.600	1009.600	1015.600
	1.4301 (AISI 304) with silicone seal	1	1001.620 ¹⁾	1002.620 ¹⁾	1003.620 ¹⁾	1004.620 ¹⁾	1011.620 ¹⁾	1005.620 ¹⁾	1006.620 ¹⁾	1009.620 ¹⁾	1015.620 ¹⁾
	1.4404 (AISI 316L) with PU seal	1	1001.500 ¹⁾	1002.500	1003.500 ¹⁾	1004.500 ¹⁾	1011.500 ¹⁾	1005.500	1006.500	1009.500 ¹⁾	1015.500 ¹⁾
	1.4404 (AISI 316L) with silicone seal	1	1001.520 ¹⁾	1002.520 ¹⁾	1003.520 ¹⁾	1004.520 ¹⁾	1011.520 ¹⁾	1005.520 ¹⁾	1006.520 ¹⁾	1009.520 ¹⁾	1015.520 ¹⁾
Door		1	1	1	1	1	1	1	1	1	
Weight (kg)		3.6	4.1	6.9	7.4	8.4	8.4	9.8	14.6	12.9	

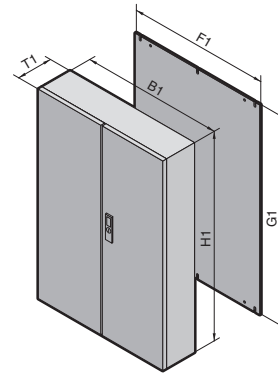
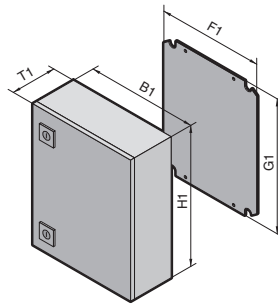
Accessories

Rain canopy	1	–	2470.000	2361.000	2471.000	2472.000	2361.000	2472.000	2473.000	–	969
Wall mounting bracket	1.4301 (AISI 304)	4	2433.000	2433.000	2433.000	2433.000	2433.000	2433.000	2433.000	2433.000	975
	1.4404 (AISI 316L)	4	2433.500	2433.500	2433.500	2433.500	2433.500	2433.500	2433.500	2433.500	975
Wall angle	1	2583.000	2583.000	2583.000	2583.000	2583.000	2583.000	2583.000	2583.000	2583.000	976
Pole clamp	1	2584.000	2584.000	2584.000	2584.000	2584.000	2584.000	2584.000	2584.000	2584.000	976
Cam lock 1.4404 (AISI 316L)	1	2304.000	2304.000	2304.000	2304.000	2304.000	2304.000	2304.000	2304.000	2304.000	955

Lock systems

Standard double-bit lock insert may be exchanged in enclosures with cam (except AE 1018.600/AE 1019.600) for lock inserts 41 mm, lock cylinder insert, plastic handle, T handles, type C, see page 954 – 957.

¹⁾ Delivery times available on request.



Material:

Stainless steel
Enclosure and door:
Stainless steel
Mounting plate: Sheet steel
Cam lock: Die-cast zinc,
nickel-plated

Surface finish:

Enclosure and door:
Brushed, grain size 240
Mounting plate: Zinc-plated

Protection category:

IP 66 to EN 60 529/09.2000
for AE 1001.XX0 – AE 1017.XX0,
complies with NEMA 4x.
IP 55 to EN 60 529/09.2000
for AE 1018.XX0/AE 1019.XX0,
complies with NEMA 12.

Supply includes:

Enclosure, door(s) with foamed-in seal, 3-point lock system, for AE 1017.XXX and AE 1019.XXX, mounting plate.

Approvals,
see page 28.

Detailed drawing,
see page 1179.

Width (B1) mm	Packs of	500	500	380	600	600	760	800	800	1000	1000	Page
Height (H1) mm		500	500	600	600	760	760	1000	1200	1000	1200	
Depth (T1) mm		210	300	210	210	210	300	300	300	300	300	
Mounting plate width (F1) mm		449	449	334	549	549	704	739	740	939	940	
Mounting plate height (G1) mm		470	470	570	570	730	730	955	1155	955	1155	
Model No. AE	1.4301 (AISI 304) with PU seal	1	1007.600	1013.600	1008.600	1010.600	1012.600	1014.600	1016.600	1017.600	1018.600	1019.600
	1.4301 (AISI 304) with silicone seal	1	1007.620¹⁾	1013.620¹⁾	1008.620¹⁾	1010.620¹⁾	1012.620¹⁾	1014.620¹⁾	1016.620¹⁾	1017.620¹⁾	–	–
	1.4404 (AISI 316L) with PU seal	1	1007.500¹⁾	1013.500¹⁾	1008.500¹⁾	1010.500	1012.500¹⁾	1014.500¹⁾	1016.500¹⁾	1017.500¹⁾	1018.500¹⁾	1019.500
	1.4404 (AISI 316L) with silicone seal	1	1007.520¹⁾	1013.520¹⁾	1008.520¹⁾	1010.520¹⁾	1012.520¹⁾	1014.520¹⁾	1016.520¹⁾	1017.520¹⁾	–	–
Door(s)		1	1	1	1	1	1	1	1	2	2	
Weight (kg)		15.7	18.4	15.1	23.5	30.2	42.5	52.9	61.5	71.0	76.0	

Accessories												
Rain canopy	1	2362.000	–	2472.000	2473.000	2473.000	2474.000	2475.000	2475.000	2363.000	2363.000	969
Wall mounting bracket	1.4301 (AISI 304)	4	2433.000	2433.000	2433.000	2433.000	2433.000	2433.000	2433.000	2433.000	2433.000	975
	1.4404 (AISI 316L)	4	2433.500	2433.500	2433.500	2433.500	2433.500	2433.500	2433.500	2433.500	2433.500	975
Wall angle	1	2583.000	2583.000	2583.000	2583.000	2583.000	2583.000	2583.000	2583.000	2583.000	2583.000	976
Pole clamp	1	2584.000	2584.000	2584.000	2584.000	2584.000	–	–	–	–	–	976
Cam lock 1.4404 (AISI 316L)	1	2304.000	2304.000	2304.000	2304.000	2304.000	2304.000	2304.000	–	2304.000	–	955

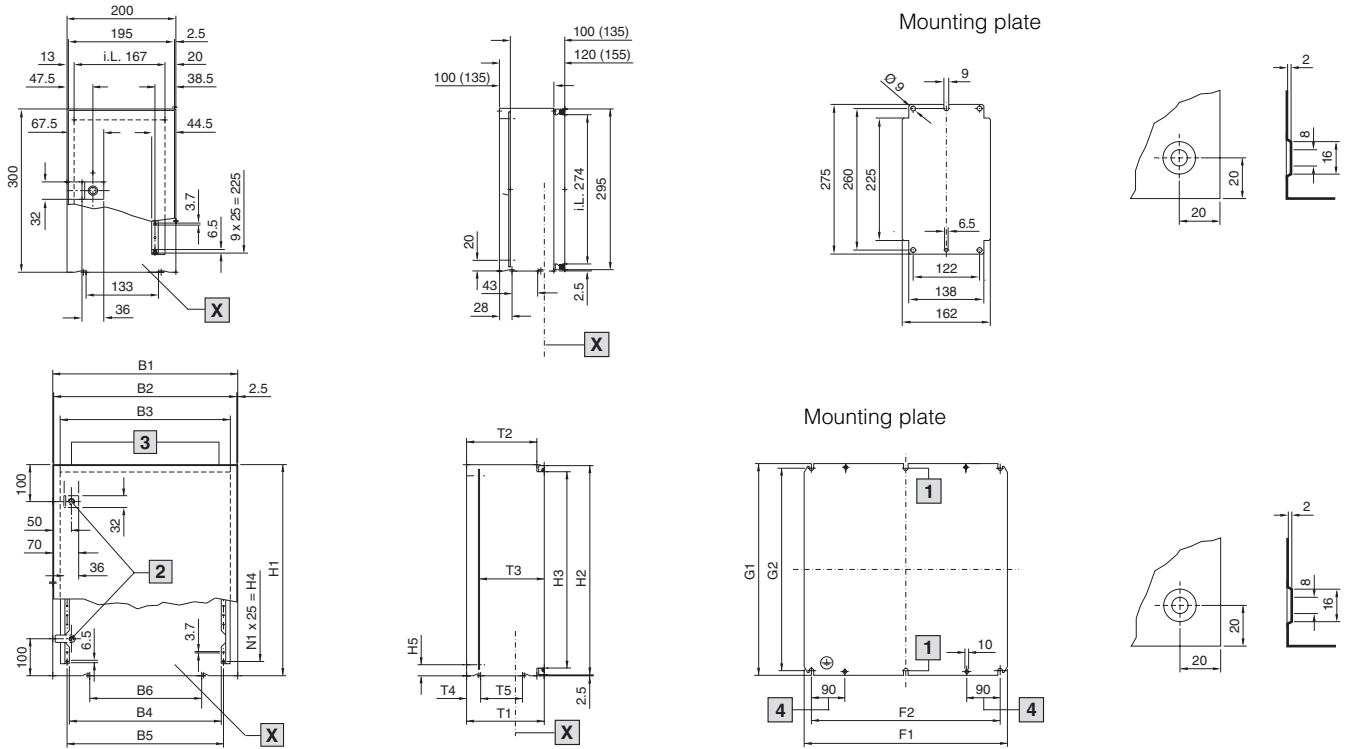
Lock systems
Standard double-bit lock insert may be exchanged in enclosures with cam (except AE 1017.600/AE 1019.600) for lock inserts 41 mm, lock cylinder insert, plastic handle, T handles, type C, see page 954 – 957.
With AE 1018.600, may only be exchanged for 41 mm lock inserts, type C, see page 956.
For enclosures with locking rod, may be exchanged for 27 mm lock inserts, type A, see page 956 and Ergoform-S lock system, see page 953.

¹⁾ Delivery times available on request.

1.2 Compact enclosures AE

Spray-finished Page 128 – 129

AE 1032.500 (AE 1035.500)



X Door interior view

1 Only for AE 1180.500

2 From 500 mm high with 2 cam locks, less than 500 mm with 1 cam lock in the centre

3 AE 1073.500 and AE 1180.500 with holes for eyebolts, detail Y, see page 1178 below

4 (50) for AE 1033.500 and AE 1034.500

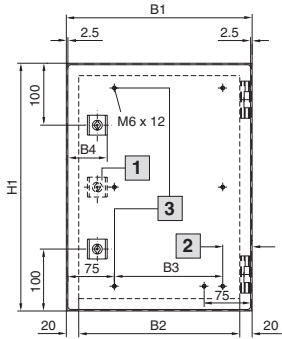
i.L. = Clearance width

Model No. AE	Width dimensions mm						Height dimensions mm					Depth dimensions mm					Mounting plates mm				
	B1	B2	B3	B4	B5	B6	H1	H2	H3	H4	H5	N1	T1	T2	T3	T4	T5	F1	F2	G1	G2
1036.500	300	295	260	211	223	233	300	295	260	225	27.5	9	155	132	113 – 129	47	63	254	215	275	250
1033.500	300	295	260	211	223	233	300	295	260	225	27.5	9	210	190	168 – 184	43	45	254	215	275	250
1034.500	300	295	260	211	223	233	400	395	360	325	27.5	13	210	190	168 – 184	43	45	254	215	375	350
1030.500	380	375	340	291	303	303	300	295	260	225	27.5	9	155	132	113 – 129	33	63	334	295	275	250
1031.500	380	375	340	291	303	303	300	295	260	225	27.5	9	210	190	168 – 184	33	63	334	295	275	250
1380.500	380	375	340	291	303	303	380	375	340	275	27.5	11	210	190	168 – 184	33	63	334	295	355	330
1039.500	600	595	560	511	523	500	380	375	340	275	27.5	11	210	190	168 – 184	38	113	549	510	355	330
1339.500	600	595	560	511	523	500	380	375	340	275	27.5	11	350	330	308 – 324	38	113	549	510	355	330
1038.500	380	375	340	291	303	303	600	595	560	525	30	21	210	190	168 – 184	33	63	334	295	570	545
1338.500	380	375	340	291	303	303	600	595	560	525	30	21	350	330	308 – 324	84	113	334	295	570	545
1045.500	400	395	360	311	323	303	500	495	460	425	30	17	210	190	168 – 184	38	113	354	315	475	450
1037.500	400	395	360	311	323	303	800	795	760	725	30	29	300	280	258 – 274	38	113	349	310	770	745
1050.500	500	495	460	411	423	303	500	495	460	425	30	17	210	190	168 – 184	38	113	449	410	470	445
1350.500	500	495	460	411	423	303	500	495	460	425	30	17	300	280	258 – 274	38	113	449	410	470	445
1057.500	500	495	460	411	423	303	700	695	660	625	30	25	250	230	208 – 224	38	113	449	410	670	645
1060.500	600	595	560	511	523	500	600	595	560	525	30	21	210	190	168 – 184	38	113	549	510	570	545
1054.500	600	595	560	511	523	500	600	595	560	525	30	21	250	230	208 – 224	38	113	549	510	570	545
1360.500	600	595	560	511	523	500	600	595	560	525	30	21	250	230	208 – 224	38	113	549	510	570	545
1076.500	600	595	560	511	523	500	760	755	720	675	30	27	210	190	168 – 184	38	113	549	510	730	705
1376.500	600	595	560	511	523	500	760	755	720	675	30	27	350	330	308 – 324	38	113	549	510	730	705
1058.500	600	595	560	511	523	500	800	795	760	725	30	29	250	230	208 – 224	38	113	549	510	770	745
1090.500	600	595	560	511	523	500	1000	995	960	925	35	37	250	230	208 – 224	38	113	539	500	955	930
1077.500	760	755	720	671	683	500	760	755	720	675	30	27	210	190	168 – 184	38	113	704	665	730	705
1073.500	760	755	720	671	683	500	760	755	720	675	30	27	300	280	258 – 274	38	113	704	665	730	705
1055.500	800	795	760	711	723	500	600	595	560	525	30	21	300	280	258 – 274	38	113	749	710	570	545
1180.500	800	795	760	711	723	500	1000	995	960	925	35	37	300	280	258 – 274	70	113	739	700	955	930

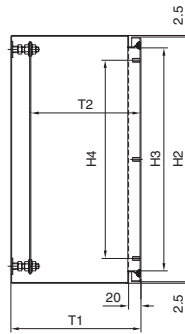
1.2 Compact enclosures AE

Stainless steel Page 308/309

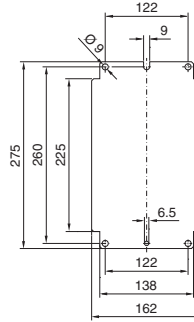
AE 1001.XX0 – AE 1016.XX0



- 1** For AE 1001.XX0, AE 1002.XX0, AE 1004.XX0, AE 1005.XX0, AE 1006.XX0, AE 1009.XX0 only one cam in the centre and without central bolts
- 2** 50 for AE 1001.XX0, AE 1002.XX0
- 3** Does not apply to AE 1001.XX0, AE 1002.XX0

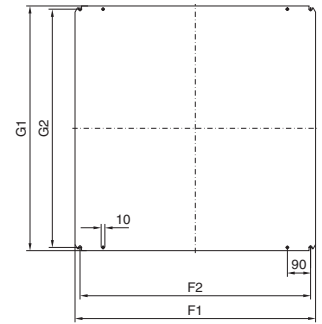


Mounting plates
AE 1001.XX0,
AE 1002.XX0

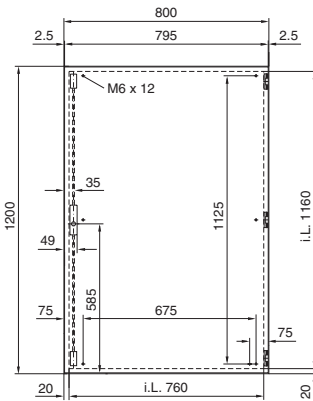


AE 1003.XX0 – AE 1016.XX0

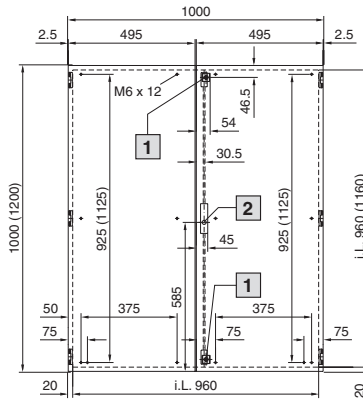
Installation position of the mounting plate is rotated through 90° for AE 1005.500/600.



AE 1017.XX0

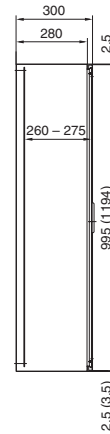


AE 1018.XX0 (AE 1019.XX0)

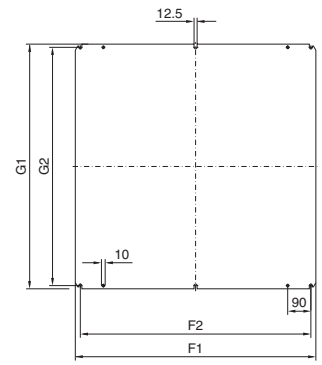


- 1** Cam for AE 1018.XX0
- 2** Locking rod for AE 1019.XX0

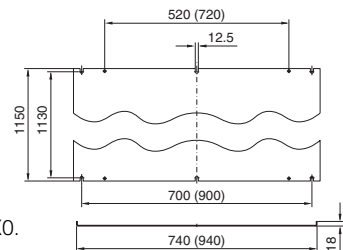
i.L. = Clearance width



Mounting plates
AE 1018.XX0



AE 1017.XX0 (AE 1019.XX0)



Dimensions in brackets for AE 1019.XX0.

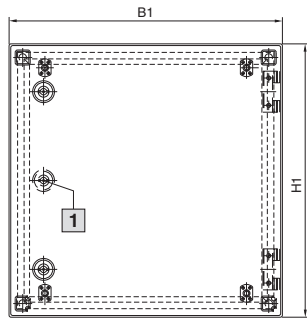
Model No. AE	Width dimensions mm				Height dimensions mm				Depth dimensions mm		Mounting plates mm				Material thickness mm		
	B1	B2	B3	B4	H1	H2	H3	H4	T1	T2	F1	F2	G1	G2	Enclosure	Door	Mounting plate
1001.XX0	200	167	-	56	300	295	274	225	120	100	-	-	-	-	1.25	1.5	2.0
1002.XX0	200	167	-	56	300	295	274	225	155	135	-	-	-	-	1.25	1.5	2.0
1003.XX0	300	260	175	66	300	295	260	225	210	168 - 184	254	215	275	250	1.38	1.5	2.0
1004.XX0	380	340	250	66	300	295	260	225	155	113 - 129	334	295	275	250	1.38	1.5	2.0
1011.XX0	380	340	250	66	300	295	260	225	210	168 - 184	334	295	275	250	1.38	1.5	2.0
1005.XX0	300	260	175	66	380	375	340	275	210	168 - 184	254	215	355	330	1.38	1.5	2.0
1006.XX0	380	340	250	66	380	375	340	275	210	168 - 184	334	295	355	330	1.38	1.5	2.5
1015.XX0	400	360	275	66	500	495	460	425	210	168 - 184	354	315	475	450	1.38	1.5	2.0
1007.XX0	500	460	375	66	500	495	460	425	210	168 - 184	449	410	470	445	1.38	1.5	2.5
1013.XX0	500	460	375	66	500	495	460	425	300	258 - 274	449	410	470	445	1.50	1.5	2.5
1008.XX0	380	340	250	66	600	595	560	525	210	168 - 184	334	295	570	545	1.38	1.5	2.5
1009.XX0	600	560	475	66	380	375	340	275	210	168 - 184	549	510	355	330	1.38	1.5	2.5
1010.XX0	600	560	475	66	600	595	560	525	210	168 - 184	549	510	570	545	1.38	2.0	2.5
1012.XX0	600	560	475	66	760	755	720	675	210	168 - 184	549	510	730	705	1.38	2.0	3.0
1014.XX0	760	720	625	66	760	755	720	675	300	258 - 274	704	665	730	705	1.50	2.0	3.0
1016.XX0	800	760	675	66	1000	955	960	925	300	258 - 274	739	700	955	930	1.50	2.0	3.0
1017.XX0	800	-	-	-	1200	-	-	-	300	-	-	-	-	-	1.50	2.0	3.0
1018.XX0	1000	-	-	-	1000	-	-	-	300	-	939	900	955	930	1.50	2.0	3.0
1019.XX0	1000	-	-	-	1200	-	-	-	300	-	-	-	-	-	1.50	2.0	3.0

Industrial Enclosures

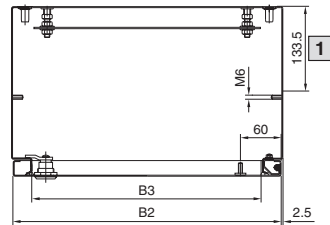
Compact enclosures

1.2 Compact enclosures AE

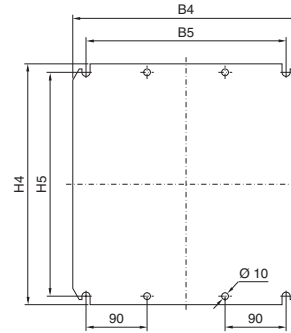
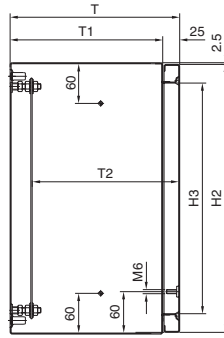
Protection category IP 69K Page 131



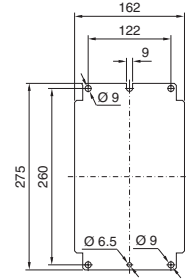
1 For AE 1101.010 and AE 1101.020 one cam lock



1 58.5 for AE 1101.010



Mounting plate AE 1101.010



Model No. AE	1101.010	1101.020	1101.030	1101.040
Width (B1) mm	230	400	400	650
Height (H1) mm	330	400	650	650
Depth (T) mm	155	250	250	250
Door width (B2) mm	225	395	395	645
Door height (H2) mm	325	395	645	645
Clearance width (B3) mm	170	340	340	590
Clearance height (H3) mm	270	340	590	590
Enclosure depth (T1) mm	130	225	225	225
Installation depth (T2) mm	135	208 – 224	208 – 224	208 – 224
Mounting plate width (B4) mm	–	334	334	549
Centre-to-centre spacing of the attachment holes (B5) mm	–	295	295	510
Mounting plate height (H4) mm	–	355	570	570
Centre-to-centre spacing of the attachment holes (H5) mm	–	330	545	545
Mounting plate thickness mm	2	2	2.5	2.5