

Y distributor - SAC-8PY-M/2XF BK 3-PSR - 1054341

Please be informed that the data shown in this PDF Document is generated from our Online Catalog. Please find the complete data in the user's documentation. Our General Terms of Use for Downloads are valid (<http://phoenixcontact.com/download>)


Y distributor, 8-position, Plug straight M12 SPEEDCON, A-coded, on Socket straight M12 SPEEDCON, A-coded and Socket straight M12 SPEEDCON, A-coded, Special wiring

Product Description

Type 3 Y distributor for integrated diagnostics via signal contact with PSR-CT safety circuits.



Key Commercial Data

Packing unit	1 pc
Minimum order quantity	250 pc
GTIN	 4 055626 702506
GTIN	4055626702506
Weight per Piece (excluding packing)	22.220 g
Sales Key	BF1GAC

Technical data

Dimensions

Center distance	21 mm
-----------------	-------

Ambient conditions

Ambient temperature (operation)	-25 °C ... 90 °C (Plug / socket)
Degree of protection	IP65
	IP67

General

Rated current at 40°C	2 A
Rated voltage	30 V AC
	30 V DC
Number of positions	8
Color handle area	black
Insulation resistance	≥ 100 MΩ
Coding	A - standard
Standards/regulations	M12 connector IEC 61076-2-101
Status display	No
Overvoltage category	II
Degree of pollution	3

Y distributor - SAC-8PY-M/2XF BK 3-PSR - 1054341

Technical data

General

Insertion/withdrawal cycles	≥ 100
Torque	0.4 Nm (M12 connector)

Material

Flammability rating according to UL 94	HB
Contact material	CuZn
Contact surface material	Ni/Au
Contact carrier material	TPU GF
Material of grip body	TPU, hardly inflammable, self-extinguishing
Material, knurls	Zinc die-cast, nickel-plated
Sealing material	NBR

Standards and Regulations

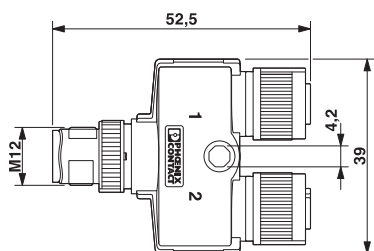
Standard designation	M12 connector
Standards/regulations	IEC 61076-2-101
Flammability rating according to UL 94	HB

Environmental Product Compliance

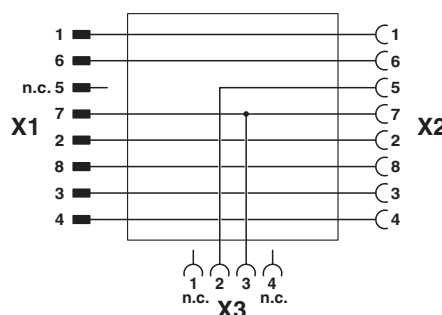
REACH SVHC	Lead 7439-92-1
China RoHS	Environmentally Friendly Use Period = 50
	For details about hazardous substances go to tab "Downloads", Category "Manufacturer's declaration"

Drawings

Dimensional drawing



Circuit diagram



M12 Y distributor

Classifications

eCl@ss

eCl@ss 5.1	27279200
eCl@ss 6.0	27279200
eCl@ss 7.0	27279201
eCl@ss 9.0	27440106

Y distributor - SAC-8PY-M/2XF BK 3-PSR - 1054341

Classifications

ETIM

ETIM 5.0	EC002062
ETIM 6.0	EC002925
ETIM 7.0	EC002925