

.060" (1.5 mm) Shrouded Tip Jack (Solder or Crimp) 5
.060" (1.5 mm) Uninsulated Tip Jack (Solder or Crimp) 5
.060 (1.50) Shrouded Tip Jack (Solder or Crimp) 5
.060 (1.50) Uninsulated Tip Jack (Solder or Crimp) 5
Insulated Deluxe 3
Insulated Metal Clad: Military Type 2
Insulated Metal Clad: Standard Type 3
Insulated Standard 4
Insulated Standard: Rib-Loc® Type 2
Insulated Tip Jack and Sleeve Assembly 4

Tip Jacks

APPLICATION • Connection to test equipment • Power supplies • Electrical instruments



INCHES (MILLIMETERS)
CUSTOMER DRAWINGS AVAILABLE UPON REQUEST

Insulated Standard: Rib-Loc® Type

SPECIFICATIONS

Contact: Brass body per QQ-B-626D with wrap around beryllium copper spring per QQ-C-553

Finish: Silver

Body: Nylon 6/6 per ASTM D4066

Panel Thickness: Up to .375 (9.05)

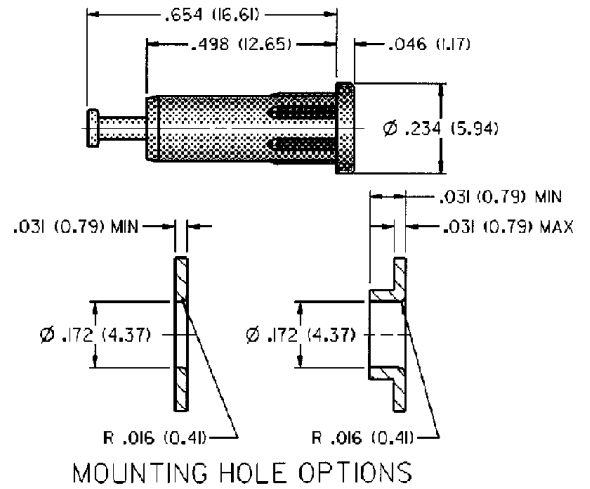
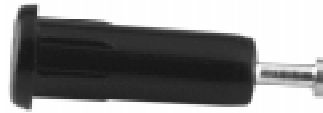
RATINGS

Current: 5 amps

Breakdown Voltage: 3500 Vrms minimum †

Contact Resistance: 0.005 ohms maximum

Adjacent Jack C: 1 pF nominal



SILVER PLATING			
PART NO.	COLOR	PART NO.	COLOR
105-1041-001	White	105-1044-001	Green
105-1042-001	Red	105-1047-001	Yellow
105-1043-001	Black	105-1050-001	Blue

For Standard Tip Plug: .080 (2.00) Diameter

FEATURES:

- Machined contact with turret terminal
- Installs by pressing into mounting hole, no mounting hardware required
- Closed entry blocks access or probes greater than .085 (2.16)
- Nylon UL approved for self extinguishing

Insulated Metal Clad: Military Type

SPECIFICATIONS

Contact: Brass per QQ-B-626D with wrap around beryllium copper spring per QQ-C-533

Finish: Gold

Body: Nylon 6/6 per ASTM D4066

Threaded Brass Jacket: Per QQ-B-626D, nickel plated

Hardware: Nickel plated washer and nut (unassembled)

Panel Thickness: Up to .218 (5.45)

RATINGS

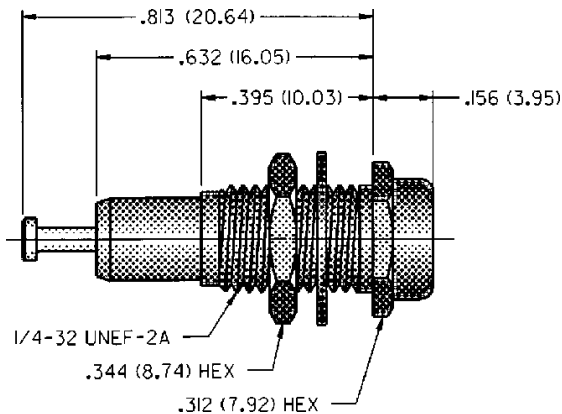
Current: 10 amps

Breakdown Voltage: 5700 Vrms minimum †

Contact Resistance: 0.004 ohms maximum

Contact-To-Panel C: 2 pF nominal

Manufactured to meet MIL-C-39024/10



GOLD PLATING		
JCI PART NO. TO MIL-SPEC. PART NO. CROSS REFERENCE		
PART NO.	COLOR	MIL-C-39024/10
105-0201-200	White	-01
105-0202-200	Red	-02
105-0203-200	Black	-03
105-0204-200	Green	-05
105-0206-200	Orange	-06
105-0210-200	Blue	-07
105-0207-200	Yellow	-08
105-0213-200	Gray	-09
105-0212-200	Violet	-10

For Standard Tip Plug: .080 (2.00) Diameter

FEATURES:

- Machined contact with turret terminal
- For military or industrial applications
- Closed entry blocks access of probes greater than .085 (2.16)
- Nylon UL approved for self extinguishing

† Avoid user injury due to misapplication. See safety advisory definitions on page 2.

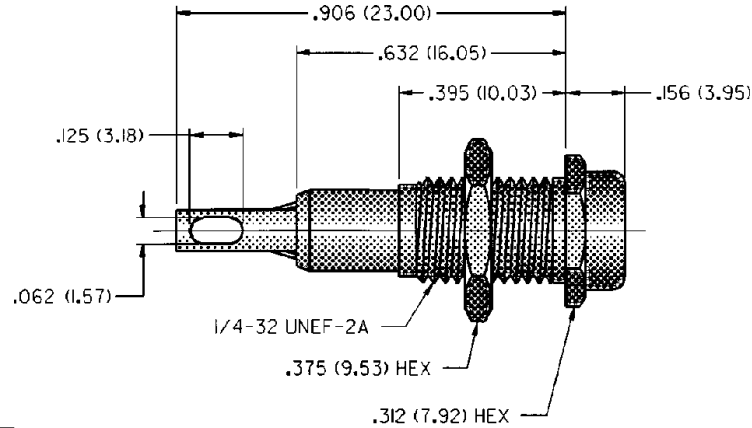
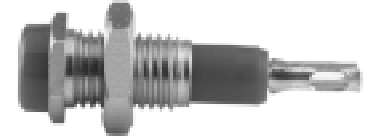
Insulated Metal Clad: Standard Type

SPECIFICATIONS

Contact: Phosphor bronze per QQ-B-750
Finish: Silver
Body: Nylon 6/6 per ASTM D4066
Threaded Brass Jacket: Per QQ-B-626D, nickel plated
Panel Thickness: Up to .281 (7.10)

RATINGS

Current: 10 amps
Breakdown Voltage: 5700 Vrms minimum †
Contact Resistance: 0.010 ohms maximum
Contact-To-Panel C: 2 pF nominal



SILVER PLATING			
PART NO.	COLOR	PART NO.	COLOR
105-0251-001	White	105-0254-001	Green
105-0252-001	Red	105-0257-001	Yellow
105-0253-001	Black	105-0260-001	Blue

For Standard Tip Plug: .080 (2.00) Diameter

FEATURES:

- Formed contact with slotted terminal
- Nylon UL approved for self extinguishing

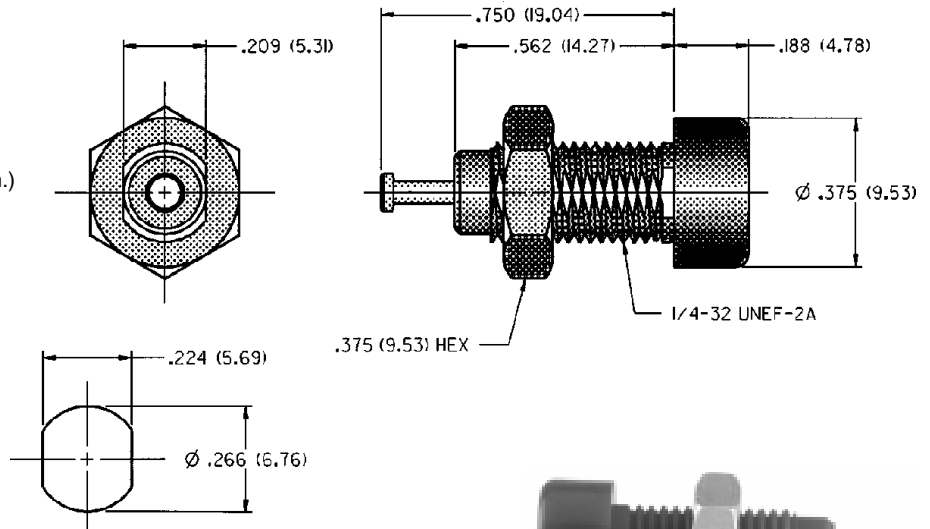
Insulated Deluxe

SPECIFICATIONS

Contact: Brass per QQ-B-626D with wrap around beryllium copper spring per QQ-C-533
Finish: Silver
Body: Nylon 6/6 per ASTM D4066
Hardware: Nickel plated nut (unassembled)
Body Thread Stripping Torque: 0.4 lb. in (4.5 kg. cm.)
Panel Thickness: Up to .437 (11.10)

RATINGS

Current: 10 amps
Breakdown Voltage: 5700 Vrms minimum †
Contact Resistance: 0.010 ohms maximum
Contact-To-Panel C: 2 pF nominal



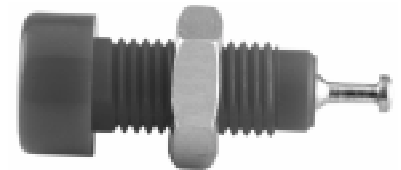
MOUNTING HOLE LAYOUT

SILVER PLATING			
PART NO.	COLOR	PART NO.	COLOR
105-0601-001	White	105-0607-001	Yellow
105-0602-001	Red	105-0608-001	Brown
105-0603-001	Black	105-0610-001	Blue
105-0604-001	Green	105-0612-001	Violet
105-0606-001	Orange	105-0613-001	Gray

For Standard Tip Plug: .080 (2.00) Diameter

FEATURES:

- Machined contact with turret terminal
- Hex socket head .188 (4.77) for ease in mounting
- Closed entry blocks access of probes greater than .085 (2.16)
- Nylon UL approved for self extinguishing



† Avoid user injury due to misapplication. See safety advisory definitions on page 2.

Tip Jacks

APPLICATION • Connection to test equipment • Power supplies • Electrical instruments



INCHES (MILLIMETERS)
CUSTOMER DRAWINGS AVAILABLE UPON REQUEST

Insulated Standard

SPECIFICATIONS:

Contact: Phosphor bronze per QQ-B-750

Finish: Bright tin

Body: Nylon 6/6 per ASTM D4066

Hardware: Nickel plated nut (unassembled)

Body Thread Stripping Torque: 4.0 lb. in.
(4.5 kg. cm.)

Panel Thickness: Up to .437 (11.10)

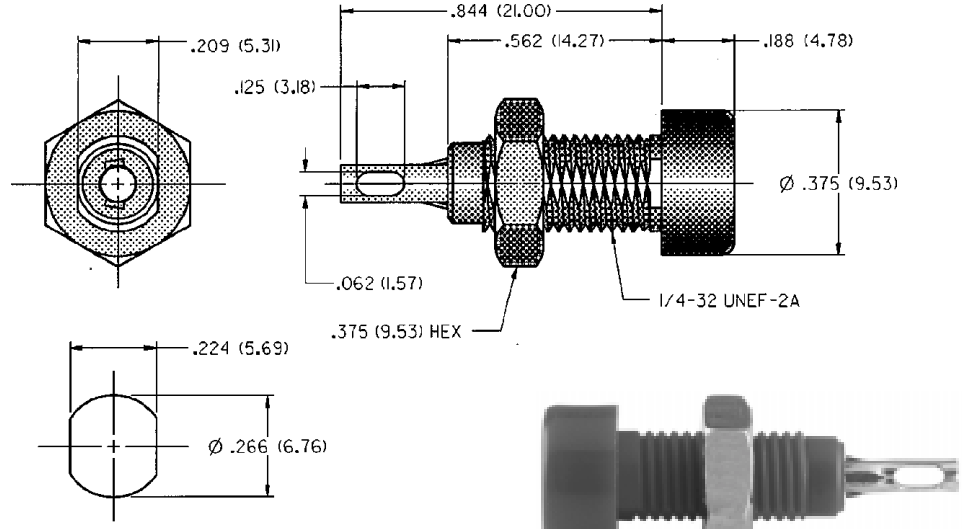
RATINGS

Current: 10 amps

Breakdown Voltage: 5700 Vrms minimum +

Contact Resistance: 0.010 ohms maximum

Contact-To-Panel C: 2 pF nominal



MOUNTING HOLE LAYOUT

For Standard Tip Plug: .080 (2.00) Diameter

FEATURES:

- Formed contact with slotted terminal
- Hex socket head .188 (4.77) for ease in mounting
- Nylon UL approved for self extinguishing

BRIGHT TIN PLATING			
PART NO.	COLOR	PART NO.	COLOR
105-0801-001	White	105-0804-001	Green
105-0802-001	Red	105-0807-001	Yellow
105-0803-001	Black	105-0810-001	Blue

Insulated Tip Jack and Sleeve Assembly

SPECIFICATIONS

Contact: Brass per QQ-B-626D with wrap around beryllium copper spring per QQ-C-533

Finish: Silver

Body: Nylon 6/6 per ASTM D4066

Hardware: Nylon handle (assembled)

Body Thread Stripping Torque: 4.0 lb. in.
(4.5 kg.cm.)

Panel Thickness: Up to .125 (3.20)

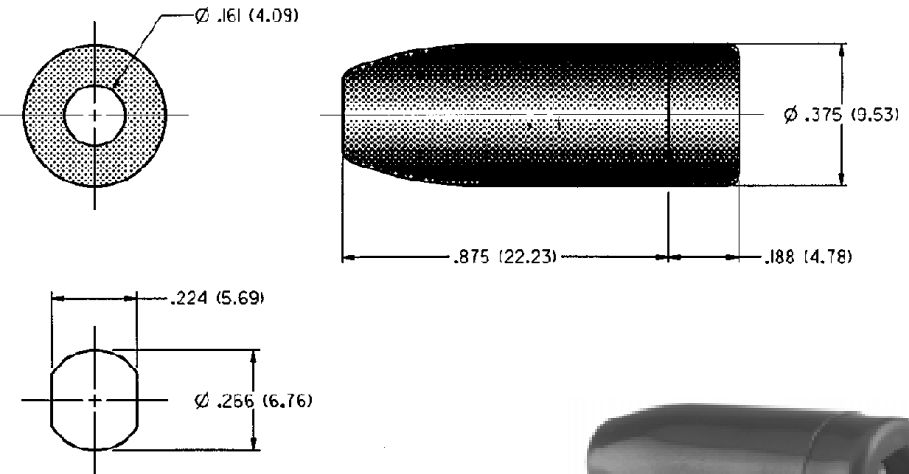
RATINGS

Current: 10 amps

Breakdown Voltage: 5700 Vrms minimum +

Contact Resistance: 0.010 ohms maximum

Contact-To-Panel C: 2 pF nominal



MOUNTING HOLE LAYOUT

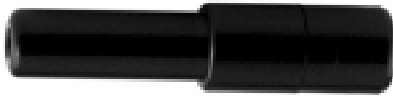
For Standard Tip Plug: .080 (2.00) Diameter

FEATURES:

- Machined contact with turret terminal
- Includes deluxe tip jack 105-060X-001
- For panel or line applications
- Hex socket head .188 (4.77) for ease in mounting
- Nylon UL approved for self extinguishing

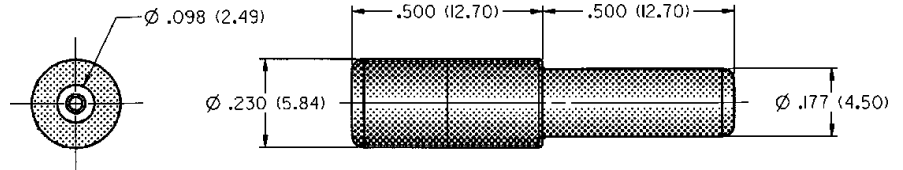
SILVER PLATING			
PART NO.	COLOR	PART NO.	COLOR
105-0701-001	White	105-0704-001	Green
105-0702-001	Red	105-0707-001	Yellow
105-0703-001	Black	105-0710-001	Blue

.060 (1.50) Shrouded Tip Jack (Solder or Crimp)



SPECIFICATIONS

Contact: Brass body per QQ-B-626D with enclosed beryllium copper spring per QQ-C-533
Finish: Gold or Silver
Body: Polycarbonate per ASTM D 3935



RATINGS

Current: 7 amps
Breakdown Voltage: 3500 Vrms minimum †
Contact Resistance: 0.010 ohms maximum

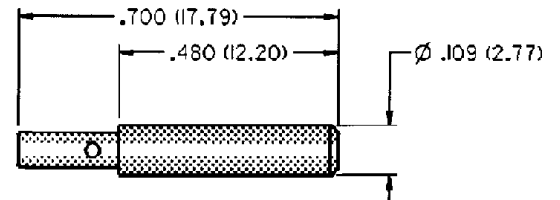
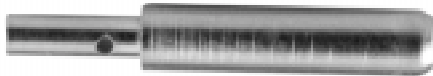
SILVER PLATING			GOLD PLATING		
CRIMP TYPE 20 GAUGE	CRIMP TYPE 22 GAUGE	COLOR	CRIMP TYPE 20 GAUGE	CRIMP TYPE 22 GAUGE	COLOR
105-1401-021	105-1401-031	White	105-1401-022	105-1401-032	White
105-1402-021	105-1402-031	Red	105-1402-022	105-1402-032	Red
105-1403-021	105-1403-031	Black	105-1403-022	105-1403-032	Black

For Standard Tip Plug: .060 (1.50) Diameter
FEATURES:

- Field Replaceable
- Autoclavable
- Solder or Crimp

See page 188 for crimp tool.

.060 (1.50) Uninsulated Tip Jack (Solder or Crimp)



SPECIFICATIONS

Contact: Brass body per QQ-B-626D with enclosed beryllium copper spring per QQ-C-533
Finish: Gold or silver

RATINGS

Current: 7 amps
Breakdown Voltage: 3500 Vrms minimum †
Contact Resistance: 0.010 ohms maximum

SILVER PLATING		GOLD PLATING	
CRIMP TYPE 20 GAUGE	CRIMP TYPE 22 GAUGE	CRIMP TYPE 20 GAUGE	CRIMP TYPE 22 GAUGE
105-1400-021	105-1400-031	105-1400-022	105-1400-032

For Standard Tip Plug: .060 (1.50) Diameter
FEATURES:

- Closed Entry Contact for Ideal Insert Molding
- Accepts 20 Gauge Wire or Smaller
- Solder or Crimp

See page 188 for crimp tool.

† Avoid user injury due to misapplication. See safety advisory definitions on page 2.