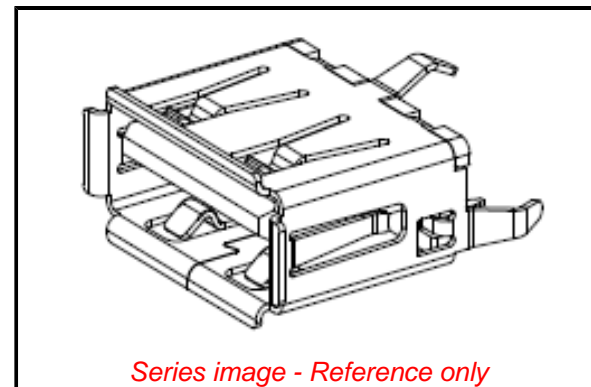


PLEASE CHECK WWW.MOLEX.COM FOR LATEST PART INFORMATION

Part Number: [1050570001](#)
Status: **Active**
Overview: Consumer USB Products
Description: Universal Serial Bus (USB) Shielded I/O Type A Receptacle, Vertical, 0.76µm Gold (Au) Plating, Solder Tail Length 2.80mm, with 3 Beveled Metal Pins, Tray Package, Lead-Free

Documents:

| | |
|---|---|
| 3D Model | Product Specification TS-105057-001-001 (PDF) |
| Drawing (PDF) | Packaging Specification PK-105057-001 (PDF) |
| Product Specification PS-105057-001-001 (PDF) | RoHS Certificate of Compliance (PDF) |



General

| | |
|------------------|---------------------------------------|
| Product Family | I/O Connectors |
| Series | 105057 |
| Application | Wire-to-Board |
| Component Type | Receptacle |
| Electrical Model | Yes |
| Overview | Consumer USB Products |
| Product Name | USB 2.0 |
| Type | A |
| UPC | 191128079204 |

Physical

| | |
|--------------------------------|----------------|
| Circuits (Loaded) | 4 |
| Color - Resin | Black |
| Gender | Receptacle |
| Lock to Mating Part | Yes |
| Material - Plating Mating | Gold |
| Material - Plating Termination | Tin |
| Net Weight | 1.160/g |
| Orientation | Vertical |
| PC Tail Length | 2.80mm |
| PCB Locator | No |
| PCB Retention | Yes |
| PCB Thickness - Recommended | 1.60mm |
| Packaging Type | Tray |
| Panel Mount | No |
| Pitch - Mating Interface | 2.00mm |
| Plating min - Mating | 0.762µm |
| Plating min - Termination | 3.810µm |
| Polarized to Mating Part | Yes |
| Surface Mount Compatible (SMC) | No |
| Temperature Range - Operating | -40°C to +85°C |
| Termination Interface: Style | Through Hole |

Electrical

| | |
|-------------------------------|------|
| Current - Maximum per Contact | 1.5A |
| Shielded | Yes |
| Voltage - Maximum | 30V |

Solder Process Data

| | |
|--|--------|
| Duration at Max. Process Temperature (seconds) | 004 |
| Lead-free Process Capability | REFLOW |
| Max. Cycles at Max. Process Temperature | 001 |
| Process Temperature max. C | 245 |

Material Info

EU ELV

Compliant

EU RoHS

Compliant

REACH SVHC

Not Contained Per
-ED/01/2017 (12
January 2017)

Halogen-Free

Status

Low-Halogen

Need more information on product environmental compliance?

Email productcompliance@molex.com
Please visit the [Contact Us](#) section for any non-product compliance questions.

| | |
|-----------------|---------------|
| China ROHS | Green Image |
| ELV | Compliant |
| RoHS Phthalates | Not Contained |

Search Parts in this Series

[105057 Series](#)

Mates With

USB Type A Cable

Reference - Drawing Numbers

Electrical Model Document

EE-105057-001

Packaging Specification

PK-105057-001

Product Specification

PS-105057-001-001, TS-105057-001-001

S-Parameter Model

SP-105057-001

Sales Drawing

SD-105057-001

This document was generated on 07/26/2017

PLEASE CHECK WWW.MOLEX.COM FOR LATEST PART INFORMATION