

.060" (1.5 mm) Shrouded Tip Jack (Solder or Crimp) 5  
.060" (1.5 mm) Uninsulated Tip Jack (Solder or Crimp) 5  
.060 (1.50) Shrouded Tip Jack (Solder or Crimp) 5  
.060 (1.50) Uninsulated Tip Jack (Solder or Crimp) 5  
Insulated Deluxe 3  
Insulated Metal Clad: Military Type 2  
Insulated Metal Clad: Standard Type 3  
Insulated Standard 4  
Insulated Standard: Rib-Loc® Type 2  
Insulated Tip Jack and Sleeve Assembly 4

# Tip Jacks

APPLICATION • Connection to test equipment • Power supplies • Electrical instruments



INCHES (MILLIMETERS)  
CUSTOMER DRAWINGS AVAILABLE UPON REQUEST

## Insulated Standard: Rib-Loc® Type

### SPECIFICATIONS

**Contact:** Brass body per QQ-B-626D with wrap around beryllium copper spring per QQ-C-553

**Finish:** Silver

**Body:** Nylon 6/6 per ASTM D4066

**Panel Thickness:** Up to .375 (9.05)

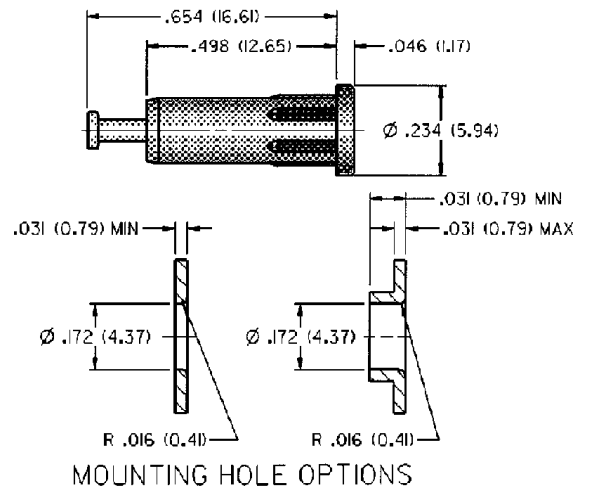
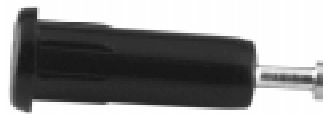
### RATINGS

**Current:** 5 amps

**Breakdown Voltage:** 3500 Vrms minimum †

**Contact Resistance:** 0.005 ohms maximum

**Adjacent Jack C:** 1 pF nominal



SILVER PLATING			
PART NO.	COLOR	PART NO.	COLOR
105-1041-001	White	105-1044-001	Green
105-1042-001	Red	105-1047-001	Yellow
105-1043-001	Black	105-1050-001	Blue

For Standard Tip Plug: .080 (2.00) Diameter

### FEATURES:

- Machined contact with turret terminal
- Installs by pressing into mounting hole, no mounting hardware required
- Closed entry blocks access or probes greater than .085 (2.16)
- Nylon UL approved for self extinguishing

## Insulated Metal Clad: Military Type

### SPECIFICATIONS

**Contact:** Brass per QQ-B-626D with wrap around beryllium copper spring per QQ-C-533

**Finish:** Gold

**Body:** Nylon 6/6 per ASTM D4066

**Threaded Brass Jacket:** Per QQ-B-626D, nickel plated

**Hardware:** Nickel plated washer and nut (unassembled)

**Panel Thickness:** Up to .218 (5.45)

### RATINGS

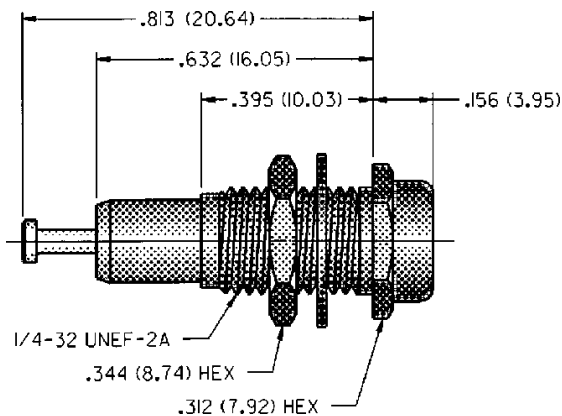
**Current:** 10 amps

**Breakdown Voltage:** 5700 Vrms minimum †

**Contact Resistance:** 0.004 ohms maximum

**Contact-To-Panel C:** 2 pF nominal

Manufactured to meet MIL-C-39024/10



GOLD PLATING		
JCI PART NO.	TO MIL-SPEC.	PART NO. CROSS REFERENCE
PART NO.	COLOR	MIL-C-39024/10
105-0201-200	White	-01
105-0202-200	Red	-02
105-0203-200	Black	-03
105-0204-200	Green	-05
105-0206-200	Orange	-06
105-0210-200	Blue	-07
105-0207-200	Yellow	-08
105-0213-200	Gray	-09
105-0212-200	Violet	-10

For Standard Tip Plug: .080 (2.00) Diameter

### FEATURES:

- Machined contact with turret terminal
- For military or industrial applications
- Closed entry blocks access of probes greater than .085 (2.16)
- Nylon UL approved for self extinguishing

† Avoid user injury due to misapplication. See safety advisory definitions on page 2.

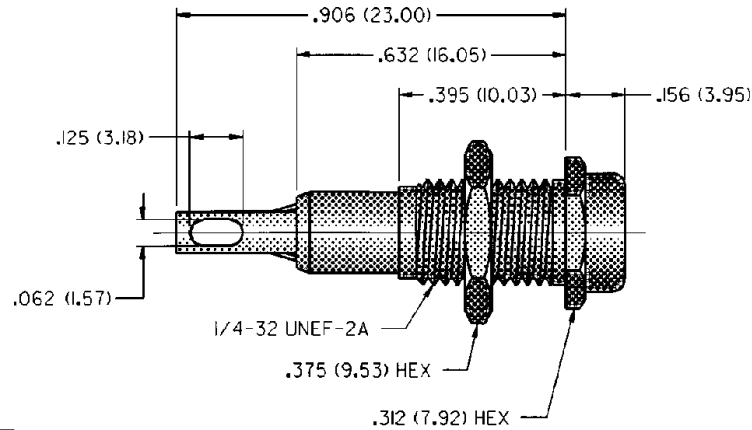
## Insulated Metal Clad: Standard Type

### SPECIFICATIONS

**Contact:** Phosphor bronze per QQ-B-750  
**Finish:** Silver  
**Body:** Nylon 6/6 per ASTM D4066  
**Threaded Brass Jacket:** Per QQ-B-626D, nickel plated  
**Panel Thickness:** Up to .281 (7.10)

### RATINGS

**Current:** 10 amps  
**Breakdown Voltage:** 5700 Vrms minimum †  
**Contact Resistance:** 0.010 ohms maximum  
**Contact-To-Panel C:** 2 pF nominal



SILVER PLATING			
PART NO.	COLOR	PART NO.	COLOR
105-0251-001	White	105-0254-001	Green
105-0252-001	Red	105-0257-001	Yellow
105-0253-001	Black	105-0260-001	Blue

For Standard Tip Plug: .080 (2.00) Diameter

### FEATURES:

- Formed contact with slotted terminal
- Nylon UL approved for self extinguishing

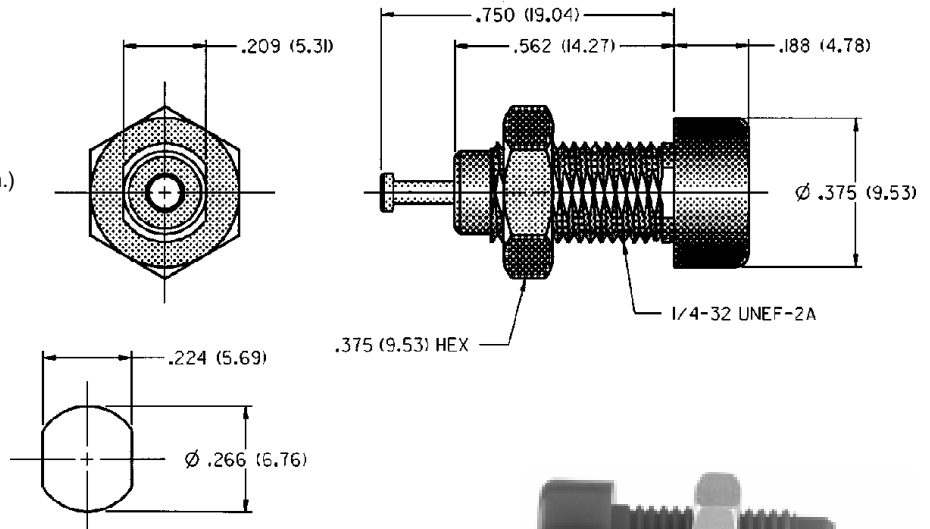
## Insulated Deluxe

### SPECIFICATIONS

**Contact:** Brass per QQ-B-626D with wrap around beryllium copper spring per QQ-C-533  
**Finish:** Silver  
**Body:** Nylon 6/6 per ASTM D4066  
**Hardware:** Nickel plated nut (unassembled)  
**Body Thread Stripping Torque:** 0.4 lb. in (4.5 kg. cm.)  
**Panel Thickness:** Up to .437 (11.10)

### RATINGS

**Current:** 10 amps  
**Breakdown Voltage:** 5700 Vrms minimum †  
**Contact Resistance:** 0.010 ohms maximum  
**Contact-To-Panel C:** 2 pF nominal



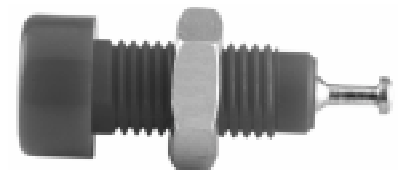
### MOUNTING HOLE LAYOUT

SILVER PLATING			
PART NO.	COLOR	PART NO.	COLOR
105-0601-001	White	105-0607-001	Yellow
105-0602-001	Red	105-0608-001	Brown
105-0603-001	Black	105-0610-001	Blue
105-0604-001	Green	105-0612-001	Violet
105-0606-001	Orange	105-0613-001	Gray

For Standard Tip Plug: .080 (2.00) Diameter

### FEATURES:

- Machined contact with turret terminal
- Hex socket head .188 (4.77) for ease in mounting
- Closed entry blocks access of probes greater than .085 (2.16)
- Nylon UL approved for self extinguishing



† Avoid user injury due to misapplication. See safety advisory definitions on page 2.

# Tip Jacks

APPLICATION • Connection to test equipment • Power supplies • Electrical instruments



INCHES (MILLIMETERS)  
CUSTOMER DRAWINGS AVAILABLE UPON REQUEST

## Insulated Standard

### SPECIFICATIONS:

**Contact:** Phosphor bronze per QQ-B-750

**Finish:** Bright tin

**Body:** Nylon 6/6 per ASTM D4066

**Hardware:** Nickel plated nut (unassembled)

**Body Thread Stripping Torque:** 4.0 lb. in.  
(4.5 kg. cm.)

**Panel Thickness:** Up to .437 (11.10)

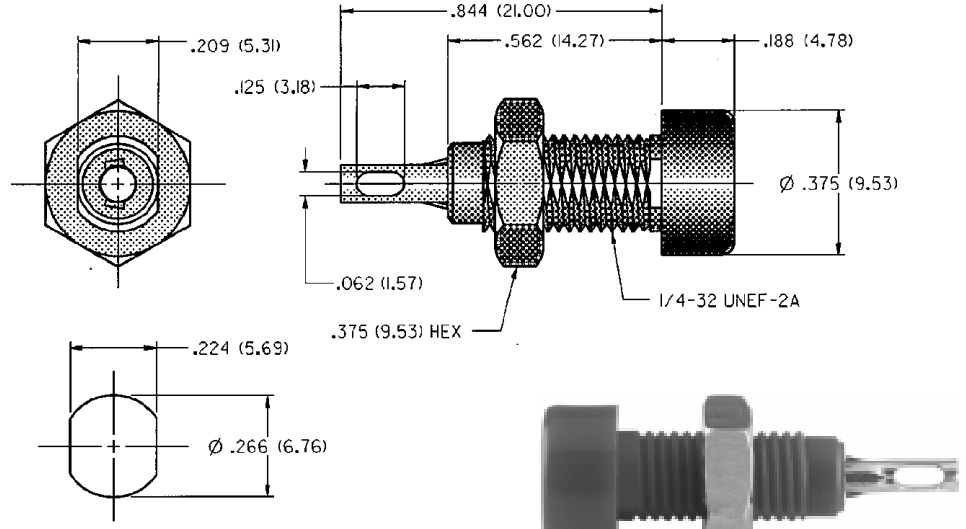
### RATINGS

**Current:** 10 amps

**Breakdown Voltage:** 5700 Vrms minimum +

**Contact Resistance:** 0.010 ohms maximum

**Contact-To-Panel C:** 2 pF nominal



MOUNTING HOLE LAYOUT

For Standard Tip Plug: .080 (2.00) Diameter

### FEATURES:

- Formed contact with slotted terminal
- Hex socket head .188 (4.77) for ease in mounting
- Nylon UL approved for self extinguishing

BRIGHT TIN PLATING			
PART NO.	COLOR	PART NO.	COLOR
105-0801-001	White	105-0804-001	Green
105-0802-001	Red	105-0807-001	Yellow
105-0803-001	Black	105-0810-001	Blue

## Insulated Tip Jack and Sleeve Assembly

### SPECIFICATIONS

**Contact:** Brass per QQ-B-626D with wrap around beryllium copper spring per QQ-C-533

**Finish:** Silver

**Body:** Nylon 6/6 per ASTM D4066

**Hardware:** Nylon handle (assembled)

**Body Thread Stripping Torque:** 4.0 lb. in.  
(4.5 kg.cm.)

**Panel Thickness:** Up to .125 (3.20)

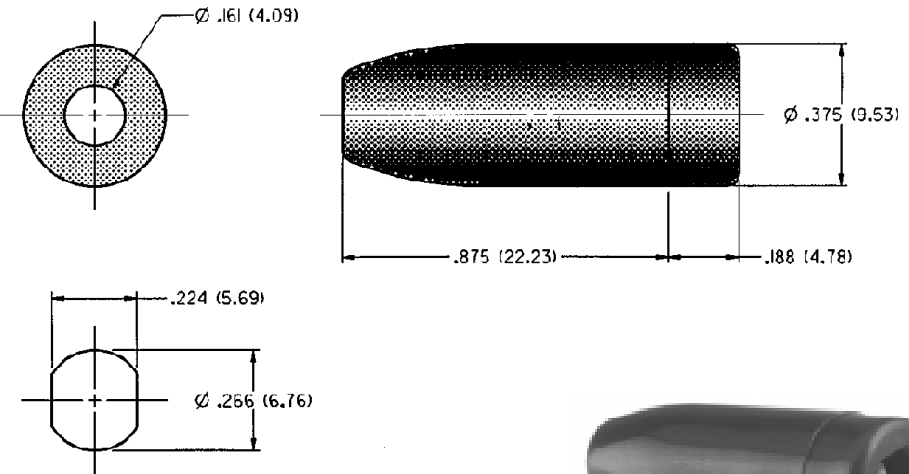
### RATINGS

**Current:** 10 amps

**Breakdown Voltage:** 5700 Vrms minimum +

**Contact Resistance:** 0.010 ohms maximum

**Contact-To-Panel C:** 2 pF nominal



MOUNTING HOLE LAYOUT

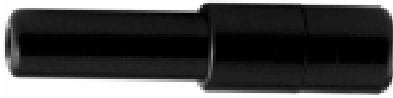
For Standard Tip Plug: .080 (2.00) Diameter

### FEATURES:

- Machined contact with turret terminal
- Includes deluxe tip jack 105-060X-001
- For panel or line applications
- Hex socket head .188 (4.77) for ease in mounting
- Nylon UL approved for self extinguishing

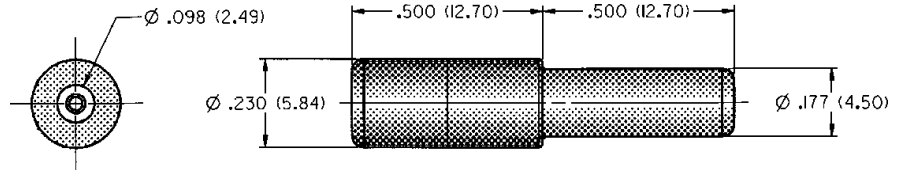
SILVER PLATING			
PART NO.	COLOR	PART NO.	COLOR
105-0701-001	White	105-0704-001	Green
105-0702-001	Red	105-0707-001	Yellow
105-0703-001	Black	105-0710-001	Blue

## .060 (1.50) Shrouded Tip Jack (Solder or Crimp)



### SPECIFICATIONS

**Contact:** Brass body per QQ-B-626D with enclosed beryllium copper spring per QQ-C-533  
**Finish:** Gold or Silver  
**Body:** Polycarbonate per ASTM D 3935



### RATINGS

**Current:** 7 amps  
**Breakdown Voltage:** 3500 Vrms minimum †  
**Contact Resistance:** 0.010 ohms maximum

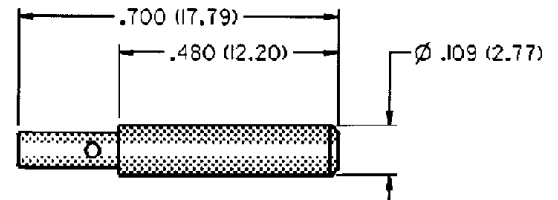
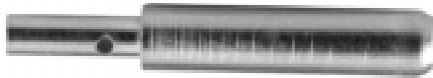
SILVER PLATING			GOLD PLATING		
CRIMP TYPE 20 GAUGE	CRIMP TYPE 22 GAUGE	COLOR	CRIMP TYPE 20 GAUGE	CRIMP TYPE 22 GAUGE	COLOR
105-1401-021	105-1401-031	White	105-1401-022	105-1401-032	White
105-1402-021	105-1402-031	Red	105-1402-022	105-1402-032	Red
105-1403-021	105-1403-031	Black	105-1403-022	105-1403-032	Black

For Standard Tip Plug: .060 (1.50) Diameter  
**FEATURES:**

- Field Replaceable
- Autoclavable
- Solder or Crimp

See page 188 for crimp tool.

## .060 (1.50) Uninsulated Tip Jack (Solder or Crimp)



### SPECIFICATIONS

**Contact:** Brass body per QQ-B-626D with enclosed beryllium copper spring per QQ-C-533  
**Finish:** Gold or silver

### RATINGS

**Current:** 7 amps  
**Breakdown Voltage:** 3500 Vrms minimum †  
**Contact Resistance:** 0.010 ohms maximum

SILVER PLATING		GOLD PLATING	
CRIMP TYPE 20 GAUGE	CRIMP TYPE 22 GAUGE	CRIMP TYPE 20 GAUGE	CRIMP TYPE 22 GAUGE
105-1400-021	105-1400-031	105-1400-022	105-1400-032

For Standard Tip Plug: .060 (1.50) Diameter  
**FEATURES:**

- Closed Entry Contact for Ideal Insert Molding
- Accepts 20 Gauge Wire or Smaller
- Solder or Crimp

See page 188 for crimp tool.

† Avoid user injury due to misapplication. See safety advisory definitions on page 2.