

104 Series - Dry Miniature Reed Relay

SPDT, DPDT, .25 Amp

Dry miniature reed relays offer long life and extremely fast switching times. Capable of switching up to 100VDC. Compact printed circuit board package with standard 0.100" pin spacing. Electrostatic shields are available. Nonstandard schematics and pin-outs can also be produced for specific customer requirements.

GENERAL SPECIFICATIONS (@ 25° C)

Contacts:

| | |
|-----------------------------|--------------------------|
| Contact Configuration | Up to DPDT |
| Contact Material | Rhodium |
| Contact Rating | |
| Load (maximum) | 4VA |
| Switching Voltage (maximum) | 100VDC |
| Switching Current (maximum) | 0.5 Amp |
| Carry Current (maximum) | 1 Amp |
| Contact Resistance, Initial | 200 milliohms max @ 6VDC |

Coil:

| | |
|------------------------------|------------------------|
| Coils Available | DC |
| Coil Power | Varies |
| Input Voltage Tolerance - DC | 80% to 110% of nominal |
| Drop-out voltage | 10% of nominal |
| Duty | Continuous |

Timing:

| | |
|---|-----|
| Operate Time (typical w/o suppression) | 1ms |
| Release Time (typical w/o suppression) | 1ms |

Dielectric Strength:

| | |
|-----------------------------------|-----------------------|
| Across Open Contacts | 200VDC |
| Between Mutually Insulated Points | 500VDC |
| Insulation Resistance | 1000 megohms @ 100VDC |

Capacitance:

| | |
|----------------------|-----|
| Across Open Contacts | 3pF |
|----------------------|-----|

Temperature:

| | |
|-----------|-----------------------------|
| Operating | -40 to 85°C (-40 to 185°F) |
| Storage | -40 to 105°C (-40 to 221°F) |

Life Expectancy:

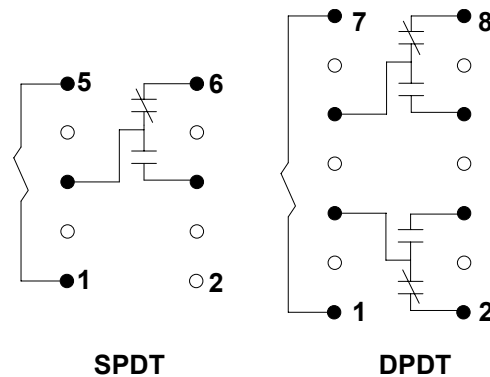
| | |
|-----------------------------------|-------------|
| Electrical (full load operations) | 10,000,000 |
| Mechanical (no load operations) | 100,000,000 |

Miscellaneous:

| | |
|-------------------|--------|
| Mounting Position | Any |
| Weight | Varies |



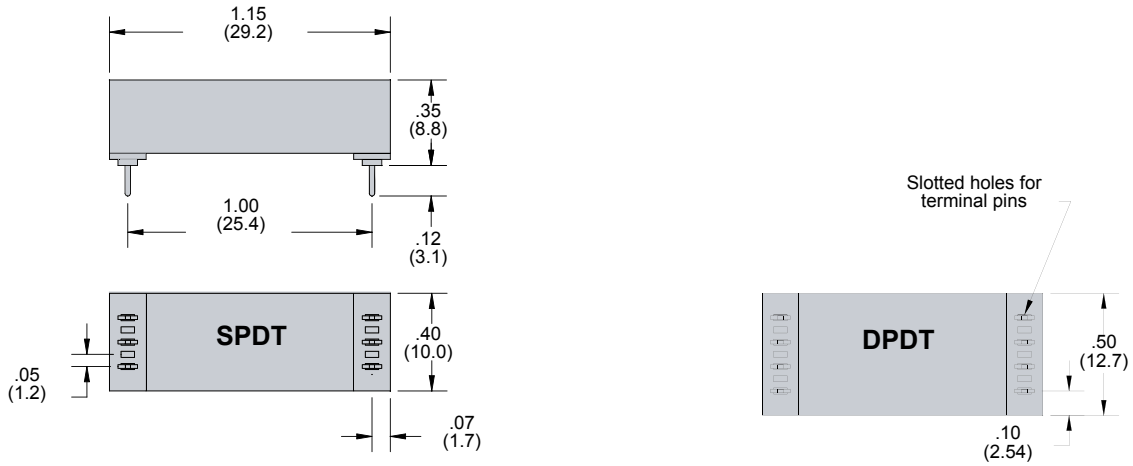
104 Wire Diagram
(Top View)



Reed Relays

Outline Dimensions

Dimensions Shown in inches & (millimeters)



104 Part Number Chart

| | | | | | | Maximum Contact Rating | | |
|-------------|-----------------------|-----------------|-----------------|---------------------------|--------------------|------------------------|-------------------------------|----------------------|
| Part number | Nominal input voltage | Maximum pull-in | Minimum dropout | Nominal resistance (ohms) | Nominal power (mW) | Maximum switching load | Switching current and voltage | Carry current (Amps) |
| SPDT | | | | | | | | |
| 104MPCX-3 | 24 | 18 | 2 | 2600 | 220 | 4VA | 0.25 AMP 100VDC | 0.5 |
| DPDT | | | | | | | | |
| 104MPCX-149 | 5 | 4 | 0.5 | 45 | 556 | 4VA | 0.25 AMP 100VDC | 0.5 |
| 104MPCX-150 | 12 | 9 | 1 | 230 | 626 | 4VA | 100VDC | |
| 104MPCX-151 | 24 | 18 | 2 | 1200 | 480 | 4VA | | |