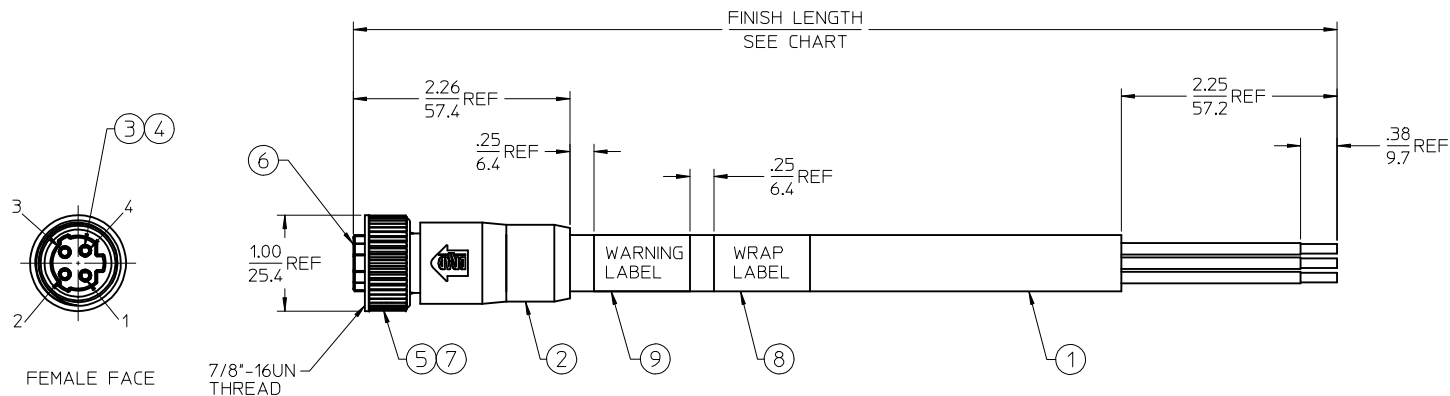
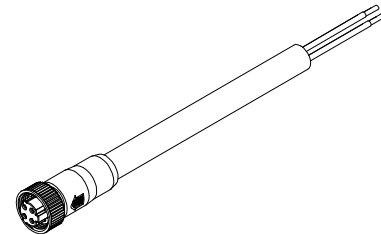


PART NUMBER	ENGINEERING NUMBER	FINISH LENGTH
1300620235	104100A81M020	6.56' +3.50"-0 [2M +88.9-0]
1300620236	104100A81M050	16.40' +6.50"-0 [5M +165.1-0]
1300620237	104100A81M100	32.81' +12.50"-0 [10M +317.5-0]
1300620251	104100A81M300	98.42' +24.50"-0 [30M +622-0]



NOTES:

- MATERIAL: SEE TABLE
- FINISHES: SEE TABLE
- WRAP LABEL IS MARKED WITH P/N, DATE CODE VOLTAGE & AMPERAGE
- MATES WITH: MINI CHANGE ALT-KEY, 4 POLE RECEPTACLE
- ELECTRICAL DATA:
 2.5mm², CEI 20-22II, 450/750V
 POLES: 4
 MAX VOLTAGE: 600V
 MAX CURRENT: 15A
 PROTECTION IP67
 TEMPERATURE RANGE: -5°C TO 70°C
- PACKAGING:
 CABLE ASSEMBLIES ARE BAGGED SEPERATLY IN POLY BAGS WITH BAR CODE LABEL ATTACHED TO OUTSIDE OF BAG.
- ASSEMBLY IS RoHS COMPLIANT

S1

1	BROWN
2	BLACK
3	GREY
4	GREEN/YELLOW

CUSTOMER PRODUCTION APPROVAL
 APPROVED BY: _____
 DATE: _____
 MUST BE SIGNED AND RETURNED BEFORE PRODUCTION WILL BEGIN.

WIRING DIAGRAM

ITEM	QTY	DESCRIPTION	MATERIAL	FINISH
9	1	WARNING LABEL	MYLAR	N/A
8	1	LABEL	MYLAR	BLACK/YELLOW
7	1	FRICITION RING	NYLON	NATURAL
6	1	FEMALE INSERT	PVC	BLACK
5	1	FEMALE COUPLING NUT	ZINC ALLOY	BLACK
4	4	SOCKET SLEEVE	STAINLESS STEEL	
3	4	SOCKET CONTACT	CU ALLOY	GOLD PLATE
2	1	OVERMOLD	PVC	BLACK
1	SEE TABLE	CABLE 2.5mm ² , (14AWG) 4 COND.	PVC	GREY

ADD 30M LENGTH	EC NO: IPG2013-1201	2013/02/05
DRWN: BRUPERT	CHKD: JFMURPHY	2013/04/27
APPR: JFMURPHY	DESCRIPTION	
REV		

QUALITY SYMBOLS	GENERAL TOLERANCES (UNLESS SPECIFIED)
▽=0	mm INCH
▽=0	4 PLACES ± --- ± ---
	3 PLACES ± --- ± ---
	2 PLACES ± 0.05 ± ---
	1 PLACE ± 0.10 ± ---
	0 PLACE ± --- ± ---
	ANGULAR ± .5 °
	DRAFT WHERE APPLICABLE MUST REMAIN WITHIN DIMENSIONS

DIMENSION STYLE		SCALE	DESIGN UNITS	THIRD ANGLE PROJECTION
IN/MM		1:1	INCH	☉ □
DRAWN BY	DATE	TITLE		
BRUPERT	2013/02/05	MC 4P FEM/STR ALT KEY		
CHECKED BY	DATE	2.5MM ² (14AWG)		
		GREY PVC CABLE		
APPROVED BY	DATE	molex		
JFMURPHY	2013/04/27	DOCUMENT NO. SD-130062-235		
MATERIAL NO.	SIZE	SHEET NO. 1 OF 1		
SEE CHART	C	THIS DRAWING CONTAINS INFORMATION THAT IS PROPRIETARY TO MOLEX INCORPORATED AND SHOULD NOT BE USED WITHOUT WRITTEN PERMISSION		