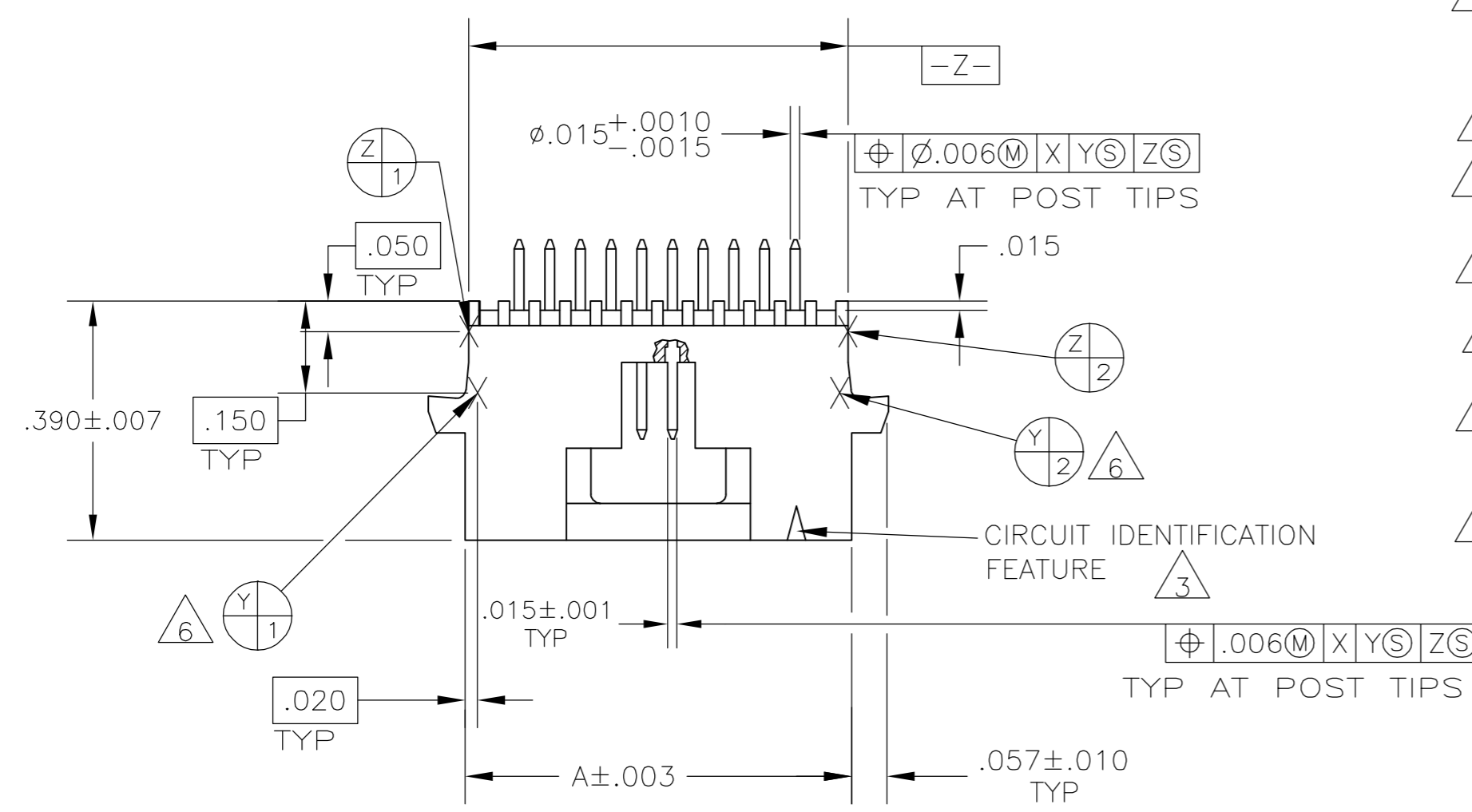
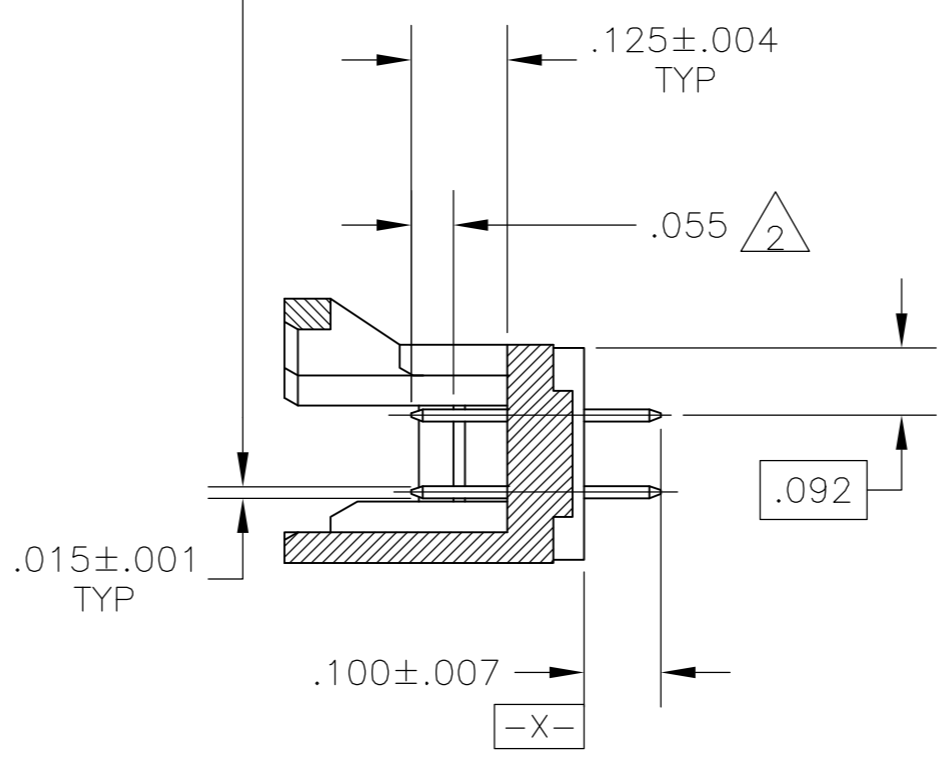
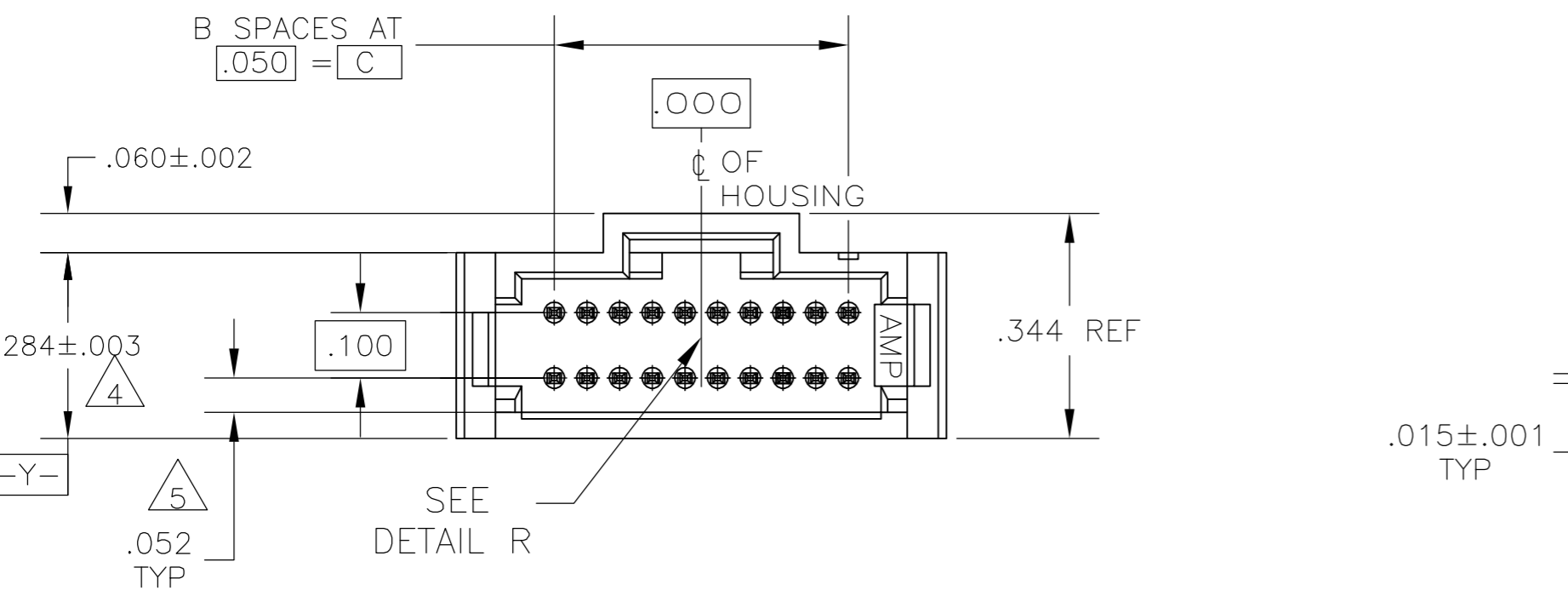


THIS DRAWING IS UNPUBLISHED. RELEASED FOR PUBLICATION
 © COPYRIGHT BY TYCO ELECTRONICS CORPORATION. ALL RIGHTS RESERVED.

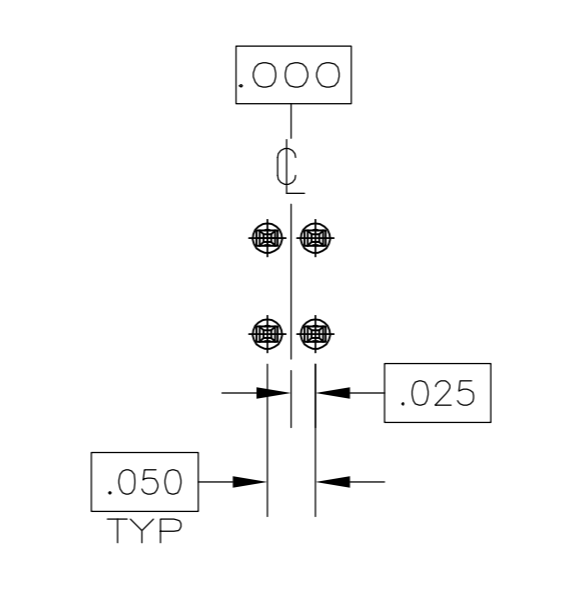
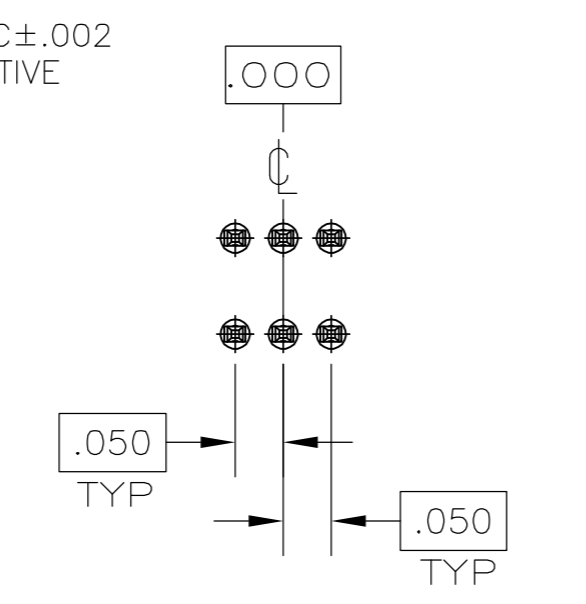
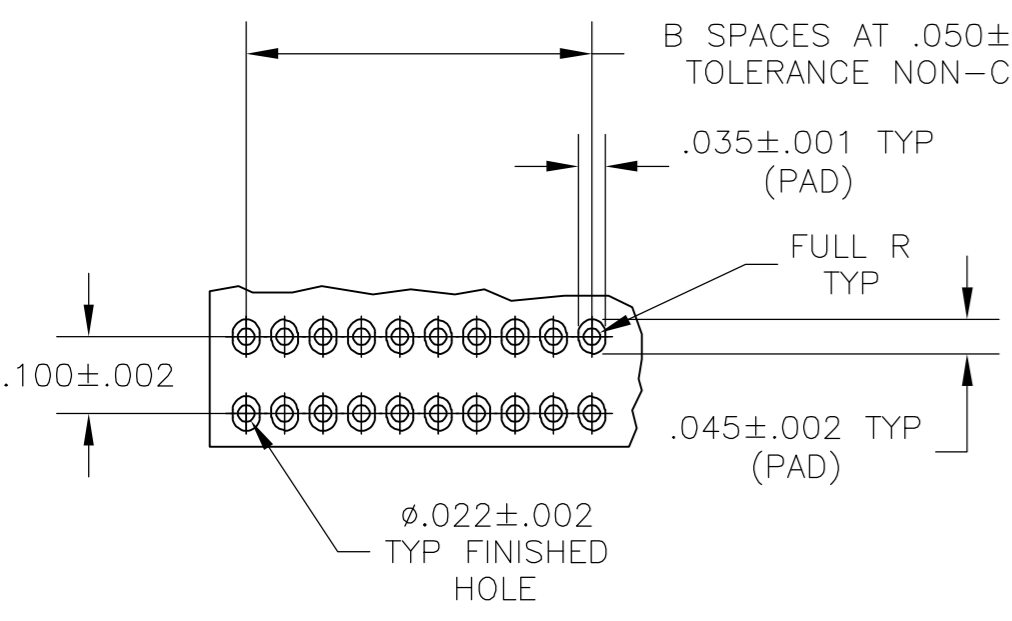
| LOC | | DIST | | REVISIONS | | | |
|-----|----|------|-----|------------------------------|---------|-----|------|
| AD | 00 | P | LTR | DESCRIPTION | DATE | DWN | APVD |
| | | N | | ECR-05-000991, ECR-05-003293 | 01JUN05 | MB | DLS |



- 1 CONTACT AREA PLATED WITH .000030 MIN GOLD; SOLDER TAILS PLATED WITH .000150 MIN TIN-LEAD, ALL OVER .000050 MIN NICKEL
- 2 POINT OF MEASUREMENT FOR PLATING THICKNESS
- 3 CIRCUIT IDENTIFICATION FEATURE OMITTED ON 8,10,12 AND 14 POSN HEADER ASSEMBLIES
- 4 DIMENSION APPLIES AT BASE OF SHROUD
- 5 THE NOTED DIMENSIONS APPLY AT THE INTERSECTION OF THE POST AND HOUSING
- 6 $\begin{matrix} Y \\ \text{---} \\ 3 \end{matrix}$ $\begin{matrix} Y \\ \text{---} \\ 4 \end{matrix}$ ARE LOCATED THE SAME AS $\begin{matrix} Y \\ \text{---} \\ 1 \end{matrix}$ $\begin{matrix} Y \\ \text{---} \\ 2 \end{matrix}$ EXCEPT ON OPPOSITE SIDE OF HOUSING.
- 7 CONTACT AREA PLATED WITH .000030 MIN. GOLD; SOLDER TAILS PLATED WITH .000150 MIN TIN; ALL OVER .000050 MIN NICKEL



| | | | | | | |
|-------------|--------|----|-------|-----|------------|-------------|
| PRELIMINARY | 1.650 | 33 | 1.830 | 68 | 6-104068-8 | |
| | 2.450 | 49 | 2.630 | 100 | 6-104068-7 | |
| | 1.950 | 39 | 2.130 | 80 | 6-104068-6 | |
| | 1.750 | 35 | 1.930 | 72 | 6-104068-5 | |
| | 1.050 | 21 | 1.230 | 44 | 6-104068-4 | |
| | .800 | 16 | .980 | 34 | 6-104068-3 | |
| | .600 | 12 | .780 | 26 | 6-104068-2 | |
| | .550 | 11 | .730 | 24 | 6-104068-1 | |
| | .350 | 7 | .530 | 16 | 6-104068-0 | |
| | .300 | 6 | .480 | 14 | 5-104068-9 | |
| OBSOLETE | .250 | 5 | .430 | 12 | 5-104068-8 | |
| | .150 | 3 | .330 | 8 | 5-104068-7 | |
| | 1.450 | 29 | 1.630 | 60 | 5-104068-6 | |
| | 1.200 | 24 | 1.380 | 50 | 5-104068-5 | |
| | .950 | 19 | 1.130 | 40 | 5-104068-4 | |
| | .700 | 14 | .880 | 30 | 5-104068-3 | |
| | .200 | 4 | .380 | 10 | 5-104068-2 | |
| | .450 | 9 | .630 | 20 | 5-104068-1 | |
| | 1.650 | 33 | 1.830 | 68 | 1-104068-8 | |
| | 2.450 | 49 | 2.630 | 100 | 1-104068-7 | |
| FINISH | 1.950 | 39 | 2.130 | 80 | 1-104068-6 | |
| | 1.750 | 35 | 1.930 | 72 | 1-104068-5 | |
| | 1.050 | 21 | 1.230 | 44 | 1-104068-4 | |
| | .800 | 16 | .980 | 34 | 1-104068-3 | |
| | .600 | 12 | .780 | 26 | 1-104068-2 | |
| | .550 | 11 | .730 | 24 | 1-104068-1 | |
| | .350 | 7 | .530 | 16 | 1-104068-0 | |
| | .300 | 6 | .480 | 14 | 104068-9 | |
| | .250 | 5 | .430 | 12 | 104068-8 | |
| | .150 | 3 | .330 | 8 | 104068-7 | |
| | 1.450 | 29 | 1.630 | 60 | 104068-6 | |
| | 1.200 | 24 | 1.380 | 50 | 104068-5 | |
| | .950 | 19 | 1.130 | 40 | 104068-4 | |
| | .700 | 14 | .880 | 30 | 104068-3 | |
| | .200 | 4 | .380 | 10 | 104068-2 | |
| | .450 | 9 | .630 | 20 | 104068-1 | |
| | FINISH | C | B | A | NO OF POS | PART NUMBER |



BASIC DIMENSIONS FOR EVEN NO OF SPACES (SEE TABLE)

BASIC DIMENSIONS FOR ODD NO OF SPACES (SEE TABLE)

DETAIL R

THIS DRAWING IS A CONTROLLED DOCUMENT.

| | | | |
|--------------------|--|-------------------------------|---|
| DIMENSIONS: INCHES | TOLERANCES UNLESS OTHERWISE SPECIFIED: | DWN 10-3-88 D. CLOUSER | Tyco Electronics Corporation Harrisburg, Pa 17105-3608 |
| | 0 PLC ± - | CHK 10-3-88 T. ZOLA | |
| | 1 PLC ± - | APVD 10-3-88 T. ZOLA | |
| | 2 PLC ± - | PRODUCT SPEC 108-1093 | |
| | 3 PLC ± - | APPLICATION SPEC 114-25031 | NAME |
| | 4 PLC ± - | WEIGHT | SIZE |
| | ANGLES ± - | CUSTOMER DRAWING | CAGE CODE |
| | FINISH SEE TABLE | SCALE 4:1 | DRAWING NO |
| | | SHEET 1 OF 1 | RESTRICTED TO |