

PLEASE CHECK WWW.MOLEX.COM FOR LATEST PART INFORMATION

Part Number: [1040040501](#)
Status: **Active**
Overview: [HSAutoLink Interconnect Systems](#)
Description: 0.80mm Pitch USCAR Mini B Vertical Header, Through Hole, 5 Circuit, Type A

Documents:

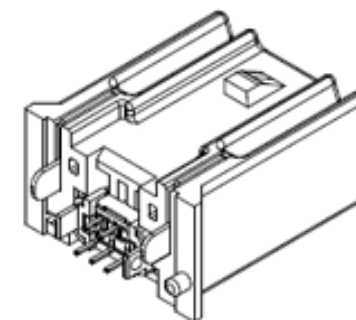
3D Model	Packaging Specification PK-104004-001-001 (PDF)
Drawing (PDF)	Packaging Specification PK-104004-004-001 (PDF)
3D Model (PDF)	RoHS Certificate of Compliance (PDF)
Product Specification PS-49616-001 (PDF)	

General

Product Family	PCB Headers
Series	104004
3D Viewer	Yes
Application	Automotive, Signal, Wire-to-Board
CURRENT-MAX-NUMERIC	1.0
Comments	Higher current rating achievable, please contact PM for additional technical information., Higher current rating achievable, please contact PM for additional technical information.
Overview	HSAutoLink Interconnect Systems
PITCH-MATING-NUMERIC	0.80
Product Name	HSAutoLink
UPC	883906580117

Physical

Breakaway	No
Circuits (Loaded)	5
Circuits (maximum)	5
Color - Resin	Black
Durability (mating cycles max)	25
First Mate / Last Break	No
Glow-Wire Capable	No
Guide to Mating Part	No
Keying to Mating Part	None
Lock to Mating Part	Yes
Material - Metal	Copper Alloy
Material - Plating Mating	Gold
Material - Plating Termination	Tin
Material - Resin	High Temperature Thermoplastic
Net Weight	3.458/g
Number of Rows	1
Orientation	Vertical
PCB Locator	Yes
PCB Retention	Yes
PCB Thickness - Recommended	1.60mm
Packaging Type	Tray
Pitch - Mating Interface	0.80mm
Pitch - Termination Interface	0.80mm
Plating min - Mating	0.762µm
Plating min - Termination	3.810µm
Polarized to Mating Part	Yes
Polarized to PCB	Yes
Shrouded	No
Stackable	No
Temperature Range - Operating	-40° to +85°C



Series image - Reference only

EU ELV

Compliant

EU RoHS

Compliant

REACH SVHC

Not Contained Per - ED/71/2019 (16 July 2019)

Halogen-Free

Status

Low-Halogen

For more information, please visit [Contact US](#)

China ROHS

ELV

RoHS Phthalates

China RoHS

Green Image

Compliant

Not Contained

Search Parts in this Series

[104004](#) Series

Mates With

HS AutoLink Cable Assembly [111014](#) , [111015](#) , [111005](#) , [111041](#) , [111019](#) , [111020](#)

Termination Interface: Style

Through Hole

Electrical

Current - Maximum per Contact

1.0A

Voltage - Maximum

5V (RMS)

Material Info

Reference - Drawing Numbers

Packaging Specification

PK-104004-001-001, PK-104004-004-001

Product Specification

PS-49616-001

Sales Drawing

SD-104004-001

This document was generated on 11/05/2019

PLEASE CHECK WWW.MOLEX.COM FOR LATEST PART INFORMATION