

# 103 Series - Contactor

## SPST , 300 Amp

The 103, 300 Amp contactor is a heavy duty relay. Similar to the smaller 100 amp B101 the contactor uses a single pole with double make or double break switching. Contacts are protected in a molded plastic cover. Panel mounting is standard. The powerful electromagnetic structure produces high contact pressure which results in very reliable low resistance contacts for long life. The 103 series are ideally suited for applications in telecommunications, hoist and elevator industries, rail mass transit and others.

### GENERAL SPECIFICATIONS (@ 25° C)

#### Contacts:

Contact Configuration	SPST-NO-Double Make
Contact Material	Silver Alloy
Contact Rating	300 Amp
120 / 240VAC Resistive	300 Amp
28VDC Resistive	
Motor 120VAC 1 Phase	
Motor 240VAC 1 Phase	
Contact Resistance, Initial	50 milliohms max @ 6VDC

#### Coil:

Coils Available	AC and DC
Nominal Coil Power	32VA 11.6W
Input Voltage Tolerance - AC	85% to 110% of nominal
Input Voltage Tolerance - DC	80% to 110% of nominal
Drop-out voltage	10% of nominal
Duty	Continuous

#### Timing:

Operate Time (max)	60ms
Release Time (max)	30ms

#### Dielectric:

Across Open Contacts	1500 VRMS
Between Mutually Insulated Points	1500 VRMS
Insulation Resistance	1000 megohms @ 500VAC

#### Temperature:

Operating	-45 to 65°C (-49 to 149°F)
Storage	-40 to 105°C (-40 to 221°F)

#### Life Expectancy:

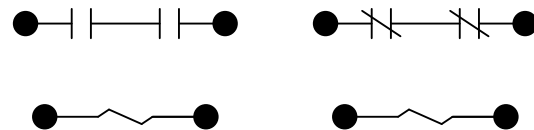
Electrical (full load operations)	100,000
Mechanical (no load operations)	500,000

#### Miscellaneous:

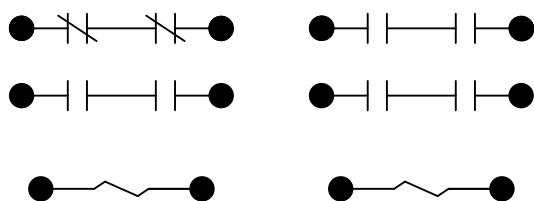
Mounting Position	Vertical
Enclosure	Plastic Contact Cover
Weight	42.0oz (1.2k grams)



103 Wire Diagram  
(Top View)



HXX (SPST N.O. Double Make)      XXH (SPST N.C. - Double Break)



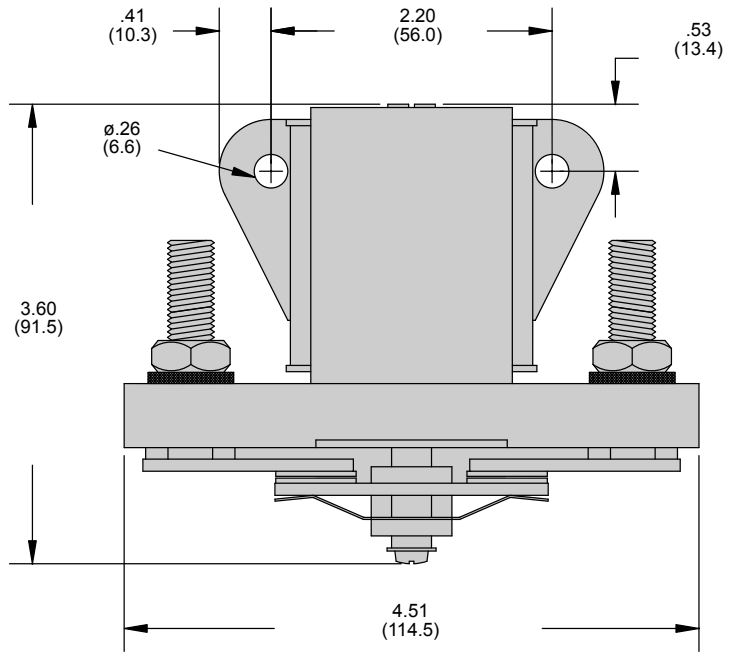
HXH (DPST 1N.O. - Double Break 1N.C. - Double Make)      JXX (DPST N.O. - Double Make)

# Power Relays

## 30 - 300 Amp

### Outline Dimensions

Dimensions shown in inches & (millimeters)



### Coil Specification

#### DC Coil

Nominal voltage	Resistance ohms ±10%
12	17
28	75
48	290

**Ordering Code** 103 HXX -28VDC

**Series**  
103

#### Contact Arrangement

- HXX (1 pole Double Make - N.O.)
- HXH (DPST - 1 N.O. - double make  
1 N.C. - double break)
- JXX (2 pole Double Make - N.O.)
- XXH (1 pole - Double Break - 1 N.C.)

#### Coil Voltage

- AC: 120, 240 (Add VAC)
- DC: 12, 28, 115-125 (Add VDC)

103JXX

