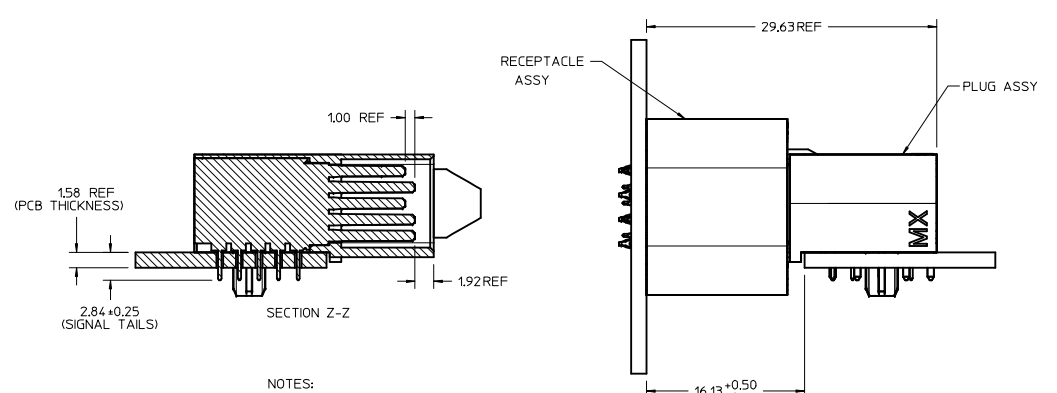
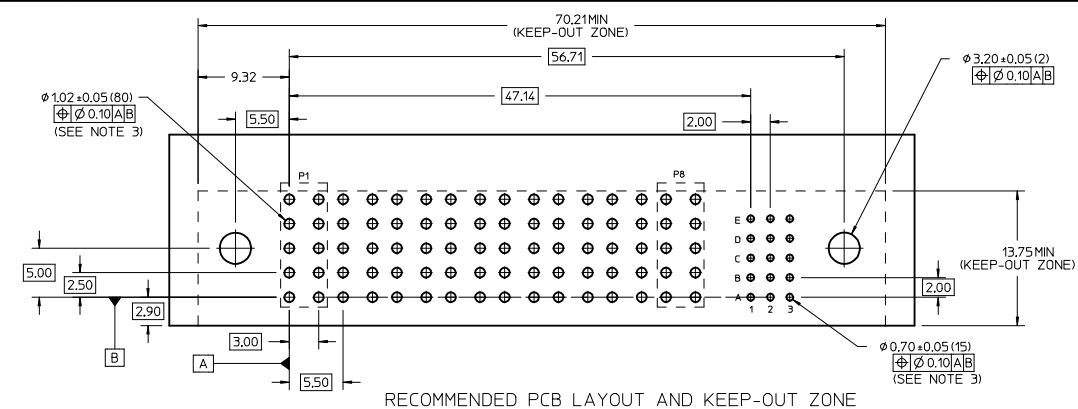


P/N: 46437-1559



- NOTES:
- MATERIAL:
 - HOUSINGS: LCP UL94, V-0, COLOR : BLACK
 - TERMINALS: HIGH CONDUCTIVITY COPPER ALLOY
 - PLATING: 1.27 MICROMETER (50 MICROINCH) NICKEL OVERALL WITH 2.54 MICROMETER (100 MICROINCH) SELECTIVE TIN ON TAILS AND 0.762 MICROMETER (30 MICROINCH) SELECTIVE GOLD ON CONTACT AREA
 - PACKAGING: ASSEMBLIES TO BE TRAY PACKED PER PACKAGING SPEC: TBD
 - PLATED THRU HOLE SIZE, REFER TO PS-46436-100 FOR DETAILS
 - PRODUCT SPEC: PS-46436-100
 - APPLICATION SPEC: AS-46436-100
 - PRODUCT TO MEET RoHS REQUIREMENTS
 - ASSEMBLY MATES TO MOLEX RECEPTACLE ASSEMBLY P/N 46562-1559 OR 46436-1559
 - TAIL DESIGN: SOLDER TAIL
 - SIGNAL CONTACTS ARE LUBRICATED

INITIAL RELEASE IEC NO. UICP2013-4623 2013/04/23 DRAWN BY CHYDKLEE 2013/4/23 APPR: APATEL 2013/09/05	QUALITY SYMBOLS	GENERAL TOLERANCES (UNLESS SPECIFIED)	DIMENSION STYLE	SCALE	DESIGN UNITS	THIRD ANGLE PROJECTION	
	$\nabla=0$ $\nabla=0$ $\nabla=0$	4 PLACES ±--- ±--- 3 PLACES ±--- ±--- 2 PLACES ±0.25 ±--- 1 PLACE ±0.25 ±--- 0 PLACE ±--- ±---	mm INCH ±--- ±--- ±0.25 ±--- ±0.25 ±--- ±--- ±---	MM ONLY	4:1	METRIC	
	DRAFT WHERE APPLICABLE MUST REMAIN WITHIN DIMENSIONS	ANGULAR ±1/2° MATERIAL NO. 46437-1559	DRAWN BY KLEE01 DATE 2013/04/23 CHECKED BY KLEE DATE 2013/4/23 APPROVED BY APATEL DATE 2013/09/05	TITLE R/A PLUG ASSY G-8DC-15S-G TEN60 POWER FAMILY molex	DOCUMENT NO. SD-46437-1559	SHEET NO. 1 OF 1	