

CATALOG LISTING 102TL226 SERIES CHART 1  
 M 102TL226 SERIES CHART 1  
 PAGE 1 OF 1  
 ISSUE 4  
 REVISIONS  
 A CO-93153 JJA 5 MAY 99  
 B CO-93999 JJA 7 JULY 99  
 C 201413 CSL 3 OCT 00  
 DRAWN RASTER FO-82851-A  
 CHECKED KLS 23 JUN 94  
 CHECKED KLS 23 JUN 94  
 102TL226 SERIES CHART 1  
 RELEASE NO. CO-78465 REPLACE

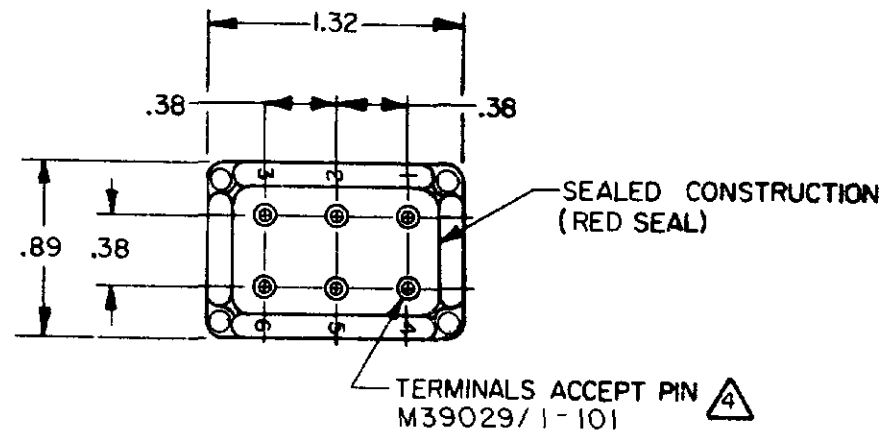
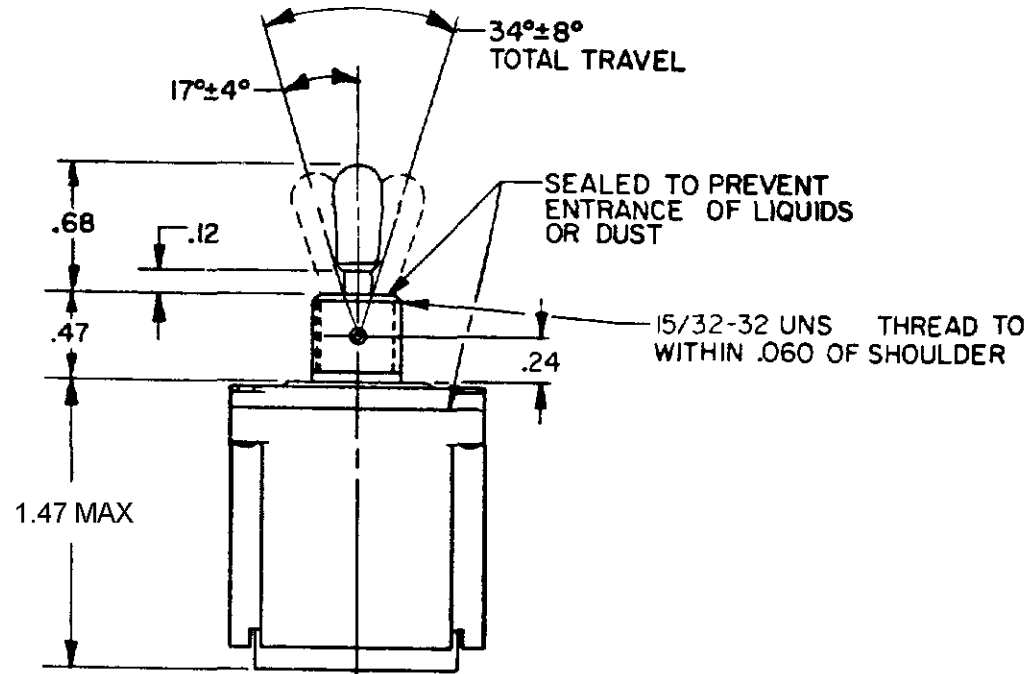
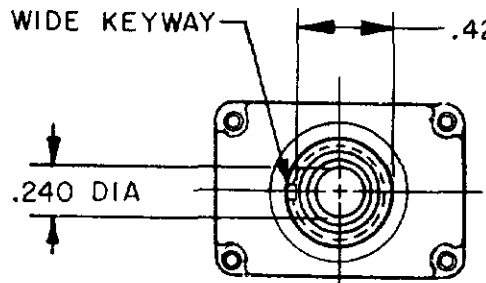
**MICRO SWITCH**  
 FREEPORT ILLINOIS U S A  
 A DIVISION OF HONEYWELL  
 FED MFG CODE 91928

**SWITCH-TOGGLE**

CATALOG LISTING  
**102TL226 SERIES**  
**CHART 1**

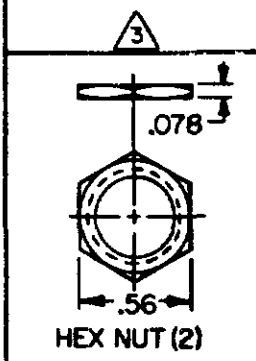
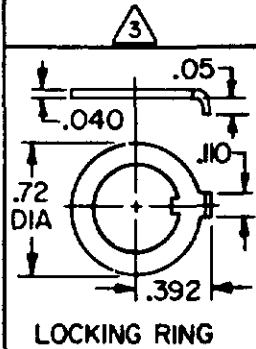
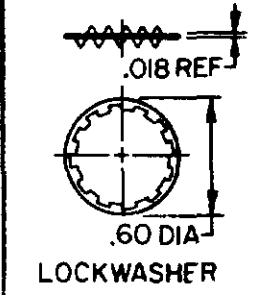
Furnished under United States Government Contract No. \_\_\_\_\_ Shall not be either released outside the Government, or used, duplicated or disclosed in whole or in part for manufacture or procurement, without the written permission of MICRO SWITCH, A Division of Honeywell, except for (I) emergency repair or overhaul work by or for the Government, where the item or process concerned is not otherwise reasonably available to enable timely performance of the work; or (II) release to a foreign government, as the interests of the United States may require; provided that in either case the release, use duplication or disclosure hereof shall be marked on any reproduction hereof in whole or in part.

.076 ± .008 WIDE KEYWAY .427



SCALE FULL  
 DO NOT SCALE PRINT  
 UNLESS OTHERWISE NOTED  
 DIMENSIONS ARE IN INCHES  
**TOLERANCES ARE**  
 ONE PLACE (.0) ± .030  
 TWO PLACE (.00) ± .018  
 THREE PLACE (.000) ± .008  
 ANGLES  
 WEIGHT .135 LB MAX

CATALOG LISTING	CIRCUIT MADE WITH TOGGLE LEVER IN			CURRENT CAPACITY (AMPS)								
	KEYWAY SIDE (1-2,4-5)	CENTER (1-2,4-5)	OPPOSITE KEYWAY (2-3,5-6)	RESISTIVE LOAD				LAMP LOAD		INDUCTIVE LOAD		
				DC VOLTS	AC VOLTS	28 VDC	125 VAC	28 VDC	125 VAC			
102TL226-1	ON	OFF	ON									
102TL226-2	OFF	NONE	ON									
(A) 102TL226-21	ON	NONE	ON	7.5	.75	.5	7.5	6	7	4	7.5	7.5
102TL226-31	NONE	OFF	ON									
102TL226-31	NONE	ON	ON									
102TL226-4	MOM OFF	NONE	ON									
102TL226-5	MOM ON	OFF	ON									
102TL226-6	MOM ON	NONE	OFF									
102TL226-7	MOM ON	OFF	MOM ON	7.5	.75	.5	7.5	6	5	2	7.5	7.5
102TL226-8	MOM ON	NONE	ON									
102TL226-51	NONE	ON	MOM ON									
102TL226-61	MOM ON	OFF	NONE									



**NOTES**

- SWITCHES ARE CAPABLE OF WITHSTANDING A TEMPERATURE OF 160°F CONTINUOUSLY AT FULL RATED LOAD
- CIRCUIT DESIGNATION AND MICRO SWITCH CATALOG LISTING STAMPED ON SIDE OF SWITCH
- FURNISHED UNASSEMBLED
- THE SEALING GROMMET SHALL SEAL ON A SMOOTH WIRE INSULATION OF .040 TO .083 DIAMETER (16-20 GAGE)
- APPLIES TO "ON" AND "MOMENTARY ON" POSITIONS
- UNUSED TERMINAL HOLES MAY BE SEALED WITH PLUGS M83723/28-20
- TOGGLE AND BUSHING - COVER ARE NICKEL PLATED