

**MICRO SWITCH**

FREEPORT, ILLINOIS, U.S.A.  
A DIVISION OF HONEYWELL  
FED. MFG. CODE 91929

**SWITCH-TOGGLE**

CATALOG LISTING  
**102TL2 SERIES**

**CHART 1**

MS NUMBER

CATALOG LISTING

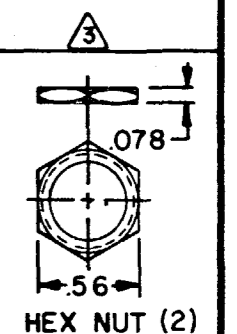
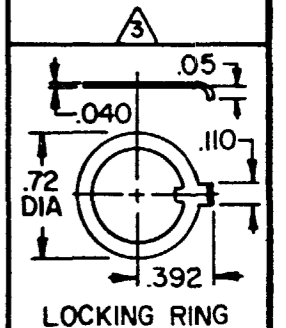
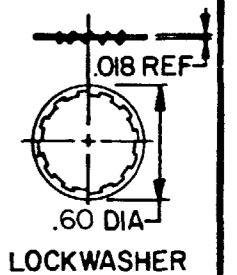
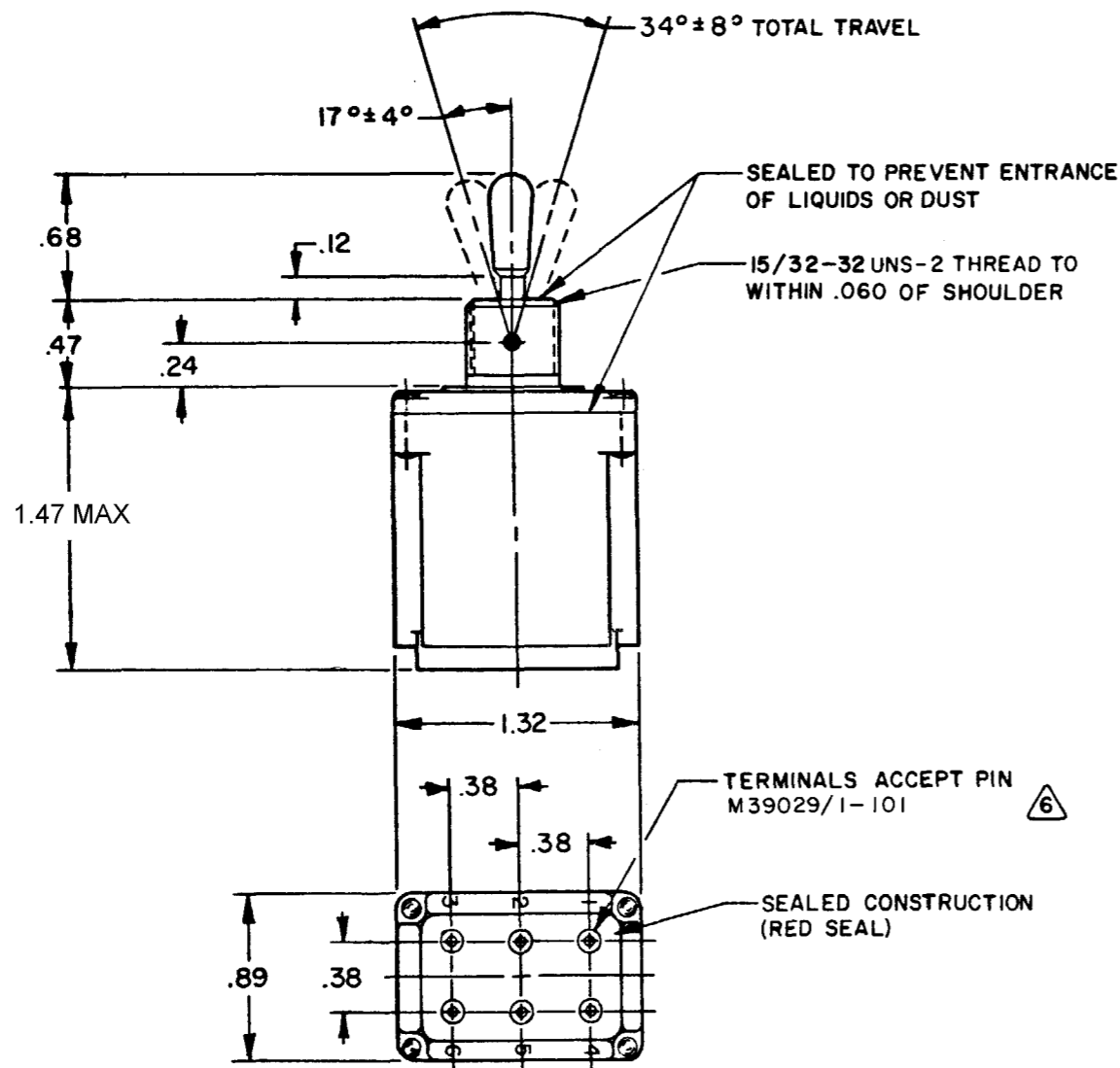
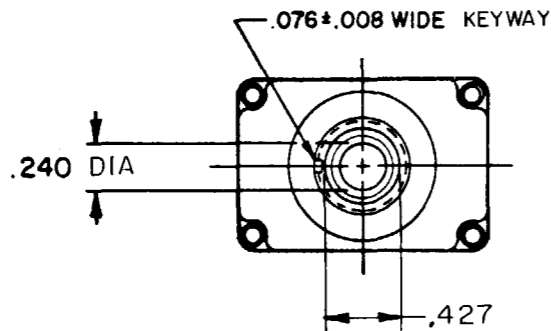
CIRCUIT MADE WITH TOGGLE LEVER IN  
KEYWAY SIDE (1-2,4-5) CENTER (1-2,4-5) OPPOSITE KEYWAY (2-3,5-6)

MILITARY RATING (AMPS)

RESISTIVE LOAD DC VOLTS			LAMP LOAD AC VOLTS			INDUCTIVE LOAD	
28	125	250	28 VDC	125 VAC	250 VAC	28 VDC	125 VAC

THIS DRAWING COVERS A PROPRIETARY ITEM AND IS THE PROPERTY OF MICRO SWITCH, A DIVISION OF HONEYWELL. THIS DRAWING IS NOT TO BE COPIED OR USED WITHOUT THE APPROVAL OF MICRO SWITCH.

MS 27785-21	102TL2-1	ON	OFF	ON	7.5	.75	.5	7.5	6	7	4	7.5	7.5
MS 27785-22	102TL2-2	OFF	NONE	ON									
MS 27785-23	102TL2-3	ON	NONE	ON									
MS 27785-24	102TL2-21	NONE	OFF	ON									
MS 27785-33	102TL2-31	NONE	ON	ON	7.5	.75	.5	7.5	6	5	2	7.5	7.5
MS 27785-29	ⓐ	MOM OFF	NONE	ON									
MS 27785-31	102TL2-5	MOM ON	OFF	ON									
MS 27785-30	ⓑ	MOM ON	NONE	OFF									
MS 27785-27	102TL2-7	MOM ON	OFF	MOM ON									
MS 27785-26	102TL2-8	MOM ON	NONE	ON									
MS 27785-32	102TL2-51	NONE	ON	MOM ON	7.5	.75	.5	7.5	6	5	2	7.5	7.5
MS 27785-28	102TL2-61	MOM ON	OFF	NONE									



**NOTES**

- 1 - SWITCHES ARE CAPABLE OF WITHSTANDING A TEMPERATURE OF 160°F CONTINUOUSLY AT FULL RATED LOAD
- 2 - CIRCUIT DESIGNATION, MICRO SWITCH CATALOG LISTING, DATE CODE AND MS NUMBER IDENTIFIED ON SIDE OF SWITCH
- ⓐ FURNISHED UNASSEMBLED
- 4 - UNUSED TERMINAL HOLES MAY BE SEALED WITH PLUGS M83723/28-20
- ⓑ APPLIES ONLY TO "ON" AND "MOMENTARY ON" POSITIONS
- ⓓ THE SEALING GROMMET SHALL SEAL ON A SMOOTH WIRE INSULATION OF .040 TO .083 DIAMETERS (16-20 GAGE)
- 7 THESE SWITCHES ARE QUALIFIED UNDER MIL - DTL - 3950

CATALOG LISTING  
**M 102TL2 SERIES CHART 1**  
PAGE 1 OF 1

ISSUE  
**29**

REVISIONS  
L 0057247  
SSK  
06OCT09

RELEASE NO. PR-5108  
CHECK  
06OCT09  
CMH  
21 APR 78  
C E B  
13 FEB 78  
CHECK

SCALE FULL  
DO NOT SCALE PRINT  
UNLESS OTHERWISE NOTED  
DIMENSIONS ARE IN INCHES  
**TOLERANCES ARE:**  
ONE PLACE (.0) ±.030  
TWO PLACE (.00) ±.015  
THREE PLACE (.000) ±.005  
ANGLES ±.005  
WEIGHT .135 LB MAX

RASTER