

# MICRO SWITCH

FREEMONT, ILLINOIS, U.S.A.  
A DIVISION OF HONEYWELL  
FED. MFG. CODE 91929

## SWITCH-TOGGLE

CATALOG LISTING  
**102TL1 SERIES**  
**CHART 1**

MILITARY  
STANDARD  
NUMBER

CATALOG  
LISTING

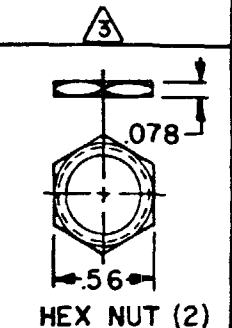
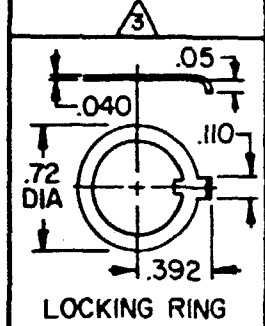
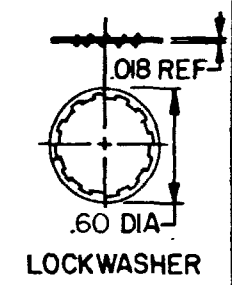
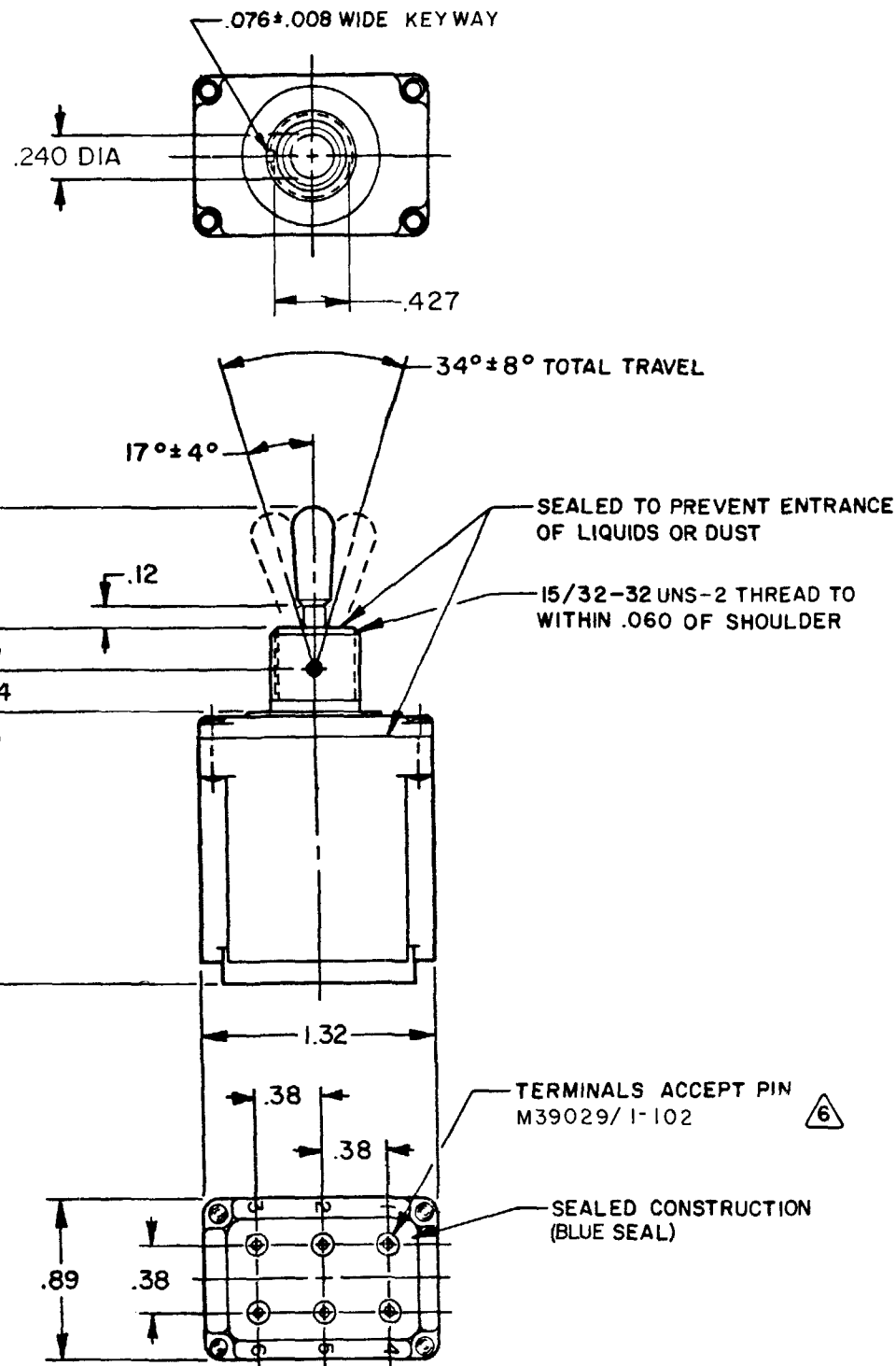
CIRCUIT MADE  
WITH TOGGLE LEVER IN

KEYWAY SIDE (1-2,4-5)	CENTER (1-2,4-5)	OPPOSITE KEYWAY (2-3,5-6)
ON	OFF	ON
OFF	NONE	ON
ON	NONE	ON
NONE	OFF	ON
NONE	ON	ON
MOM OFF	NONE	ON
MOM ON	OFF	ON
MOM ON	NONE	OFF
MOM ON	OFF	MOM ON
MOM ON	NONE	ON
NONE	ON	MOM ON
MOM ON	OFF	NONE

CURRENT CAPACITY (AMPS)

RESISTIVE LOAD					LAMP LOAD		INDUCTIVE LOAD	
DC VOLTS					AC VOLTS			
28	125	250	125	250	28 VDC	125 VAC	28 VDC	125 VAC
20	.75	.5	15	6	7	4	15	15
18	.75	.5	11	6	5	2	10	8

THIS DRAWING COVERS A PROPRIETARY ITEM AND IS THE PROPERTY OF MICRO SWITCH, A DIVISION OF HONEYWELL. THIS DRAWING IS NOT TO BE COPIED OR USED WITHOUT THE APPROVAL OF MICRO SWITCH.



### NOTES

- SWITCHES ARE CAPABLE OF WITHSTANDING A TEMPERATURE OF 160°F CONTINUOUSLY AT FULL RATED LOAD
- CIRCUIT DESIGNATION, MICRO SWITCH CATALOG LISTING, DATE CODE, AND "MS" NUMBER IDENTIFIED ON SIDE OF SWITCH
- FURNISHED UNASSEMBLED
- THESE SWITCHES ARE QUALIFIED UNDER MIL-S-3950
- APPLIES ONLY TO "ON" AND "MOMENTARY ON" POSITIONS
- THE SEALING GROMMET SHALL SEAL ON A SMOOTH WIRE INSULATION OF .068 TO .103 DIAMETERS (14-16 GAGE)
- UNUSED TERMINAL HOLES MAY BE SEALED WITH PLUGS M83723/28-16

CATALOG LISTING  
**M 102TL1 SERIES CHART 1**

ISSUE  
**21**

REVISIONS	DATE	BY	CHKD
A	CO 38392		
B	CO-49070		
C	CO 50496		
D	CO 56074		
E	CO 57478		
F	CO 92297		
G	CO 93999		
H	CO 95307		
J	201413		

SCALE FULL  
DO NOT SCALE PRINT  
UNLESS OTHERWISE NOTED  
DIMENSIONS ARE IN INCHES  
TOLERANCES ARE:  
ONE PLACE (.0) ±.030  
TWO PLACE (.00) ±.015  
THREE PLACE (.000) ±.005  
ANGLES  
WEIGHT .135 LBS MAX

RASTER  
DRAWN  
T M B FEB 78

REPLACES  
PAGE 1 OF 1  
RELEASE NO.  
CHECK  
1 APR 78  
DEF  
1 APR 78  
CEB  
21 APR 78  
CEB  
4 OCT 00