

102 Series - Metal Shielded Reed SPST - NO , 3 Amp

Many reed relays are limited to only 0.5 amps. Not the 102 series. It's rated up to 3 amps with life rated in the millions of cycles. Another limitation of other reeds is maximum DC voltage the switch can handle. Frequently the specified maximum is only 100 VDC. The 102 will handle two and a half times that-250VDC.

GENERAL SPECIFICATIONS (@ 25° C)

Contacts:

Contact Configuration	SPST-NO
Contact Material	Rhodium
Contact Rating	
Load (maximum)	100VA
Switching Voltage (maximum)	250VDC
Switching Current (maximum)	3 Amp
Carry Current (maximum)	3.5 Amp
Contact Resistance, Initial	200 milliohms max @ 6VDC

Coil:

Coils Available	DC
Coil Power	580mW
Input Voltage Tolerance - DC	80% to 110% of nominal
Drop-out voltage	10% of nominal
Duty	Continuous

Timing:

Operate Time	2ms
(typical w/o suppression)	
Release Time	2ms
(typical w/o suppression)	

Dielectric Strength:

Across Open Contacts	450 to 700VDC
Between Mutually Insulated Points	1000VDC
Insulation Resistance	1000 megohms @ 500VAC

Capacitance:

Across Open Contacts	1.5pf
----------------------	-------

Temperature:

Operating	-40 to 85°C (-40 to 185°F)
Storage	-40 to 105°C (-40 to 221°F)

Life Expectancy:

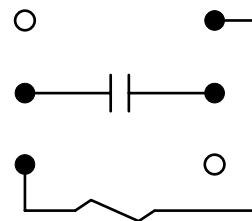
Electrical (full load operations)	20,000,000
Mechanical (no load operations)	200,000,000

Miscellaneous:

Shock	30 grams, 11ms, 1/2 Size wave
Vibration	10 grams, 10Hz to 1,000Hz
Mounting Position	Any
Weight	Varies



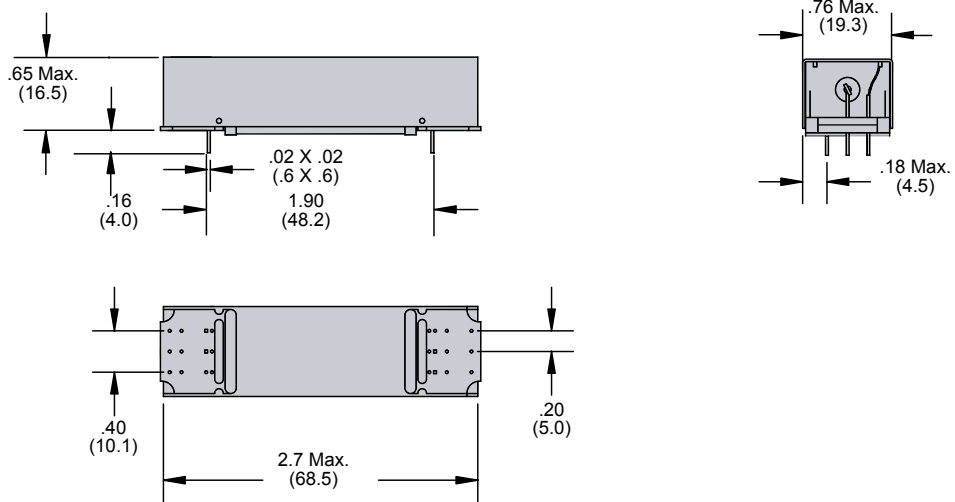
102 Wire Diagram
(Top View)



Reed Relays

Outline Dimensions

Dimensions Shown in inches & (millimeters)



102 Open Reed Part Number Chart

Part number	Nominal input voltage	Maximum pull-in	Minimum dropout	Nominal resistance (ohms)	Nominal power (mW)	Maximum Contact Rating		
						Maximum switching load	Switching current and voltage	Carry current (Amps)
SPDT - N.O. 1 Amps								
102MPCX-7	12	9	1	250	580mW	15VA	1 AMP	2
102MPCX-8	24	18	2	1000			250VDC	
DPST - N.O.								
102RMPCX-2	12	9	1	250	580mW	100VA	3 AMP	3.5
102RMPCX-3	24	18	2	1000			250VDC	