

PLEASE CHECK WWW.MOLEX.COM FOR LATEST PART INFORMATION

Part Number: [0010181040](#)
Status: **Active**
Overview: Standard .093" Pin and Socket Connectors
Description: 2.36mm Diameter Standard .093" Pin and Socket Header, Shrouded, 4 Circuits, 1 Female Terminal, 1 Male Terminal

Documents:

[3D Model](#) [Packaging Specification PK-3099-002-001 \(PDF\)](#)
[Drawing \(PDF\)](#) [RoHS Certificate of Compliance \(PDF\)](#)

Agency Certification

CSA LR19980
 UL E29179

General

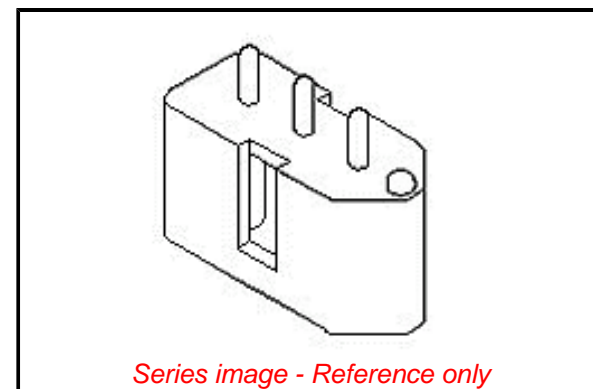
Product Family PCB Headers
 Series 3099
 Application Power, Wire-to-Board
 Comments Solder Type|Round Pin
 Overview [Standard .093" Pin and Socket Connectors](#)
 Product Name Standard .093"
 UPC 800754984812

Physical

Breakaway No
 Circuits (Loaded) 4
 Circuits (maximum) 4
 Color - Resin Black
 Durability (mating cycles max) 25
 Flammability 94V-2
 Glow-Wire Compliant No
 Lock to Mating Part Yes
 Material - Metal Phosphor Bronze
 Material - Plating Mating Tin
 Material - Plating Termination Tin
 Material - Resin Polyester
 Net Weight 1.641/g
 Number of Rows 1
 Orientation Vertical
 PC Tail Length 4.32mm
 PCB Locator Yes
 PCB Retention None
 PCB Thickness - Recommended 1.60mm
 Packaging Type Bag
 Pitch - Mating Interface 5.03mm
 Plating min - Mating 1.270µm
 Plating min - Termination 1.270µm
 Polarized to PCB Yes
 Shrouded Fully
 Stackable No
 Surface Mount Compatible (SMC) No
 Temperature Range - Operating -40°C to +105°C
 Termination Interface: Style Through Hole

Electrical

Current - Maximum per Contact 5.0A
 Voltage - Maximum 250V



EU ELV

Not Reviewed

EU RoHS

Not Reviewed

REACH SVHC

Not Reviewed

Halogen-Free

Status

Not Reviewed

Need more information on product environmental compliance?

Email productcompliance@molex.com
 Please visit the [Contact Us](#) section for any non-product compliance questions.

| | |
|-----------------|--------------|
| China ROHS | Not Reviewed |
| ELV | Not Reviewed |
| RoHS Phthalates | Not Reviewed |

Search Parts in this Series

[3099 Series](#)

Mates With

[03-09-1041](#) , [03-09-1042](#)

Material Info

Reference - Drawing Numbers

Packaging Specification
Sales Drawing

PK-3099-002-001
SDA-3099-*4**

This document was generated on 02/07/2017

PLEASE CHECK WWW.MOLEX.COM FOR LATEST PART INFORMATION