

1

2

3

4

10132797- A A B C D E F L F

AA	POSITION
01	2X05
02	2X10
03	2X15
04	2X20
05	2X25
06	2X30

B	DESCRIPTION
1	PLUG 1
2	PLUG 2
3	PLUG 3
4	PLUG 4
5	PLUG 5
6	PLUG 6
7	PLUG 7

D	POLARIZATION PEG	HOLD DOWN
0	YES	YES
1	NO	YES
2	YES	NO
3	NO	NO

E	PACKAGING
0	TAPE AND REEL WITHOUT CAP

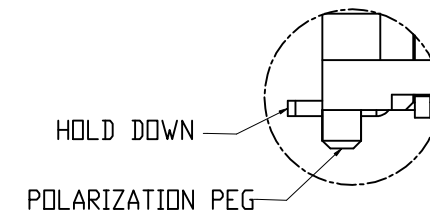
F	CUSTOMER CODE
BLANK	STANDARD P/N
√	APPLY FOR SPECIAL CUSTOMER



C	PLATING: CONTACT AREA/SOLDER TAIL AREA
1	1~3u"Au ON CONTACT AREA OVER 50u" Ni Min GOLD FLASH ON SOLDER TAIL OVER 50u" Ni Min

10132797 SERIES (PLUG SERIES)

COMBINATION OF MATED HEIGHT 3.0~4.5mm	Plug 1	Plug 2	Plug 3	Plug 4
COMBINATION OF MATED HEIGHT 5.0~6.0mm	Plug 5	Plug 6	Plug 7	



NOTE:

- MATERIAL:  
HOUSING: THERMOPLASTIC BLACK UL94V-0  
TERMINAL: COPPER ALLOY  
HOLD DOWN: COPPER ALLOY
- PLATING:  
TERMINAL: 1~3u"Au ON CONTACT AREA OVER 50u" Ni Min  
GOLD FLASH ON SOLDER TAIL OVER 50u" Ni Min  
HOLD DOWN: 100u" Tin Min ON SOLDER TAIL OVER 50u" Ni Min
- SEE GS-12-1298 FOR PRODUCT SPEC.
- PACKAGING: TAPE AND REEL WITHOUT CAP.
- THIS PRODUCT MEETS THE EUROPEAN UNION DIRECTIVES AND OTHER COUNTRY REGULATIONS AS DESCRIBED IN GS-22-008.

spec ref	dr Yuan-Yuan Bao 2018/10/17	projection	mm	size A3	scale 1:1
tolerance std	eng Yuan-Yuan Bao 2018/10/17		←→	ecn no	rel level
TOLERANCES UNLESS OTHERWISE SPECIFIED	chr -				
	appr Tim Yao 2018/10/17	title		0132797	rev C
	surface	linear	0.X ±0.2	0.XX ±0.15	0.XXX ±0.10
www.fci.com		cat. no.		Product - Customer drw	



0.5mm PITCH BTB CONNECTOR PLUG

10132797

rev C

Product - Customer drw sheet 1 of 3

Amphenol FCI

Copyright FCI

1

2

3

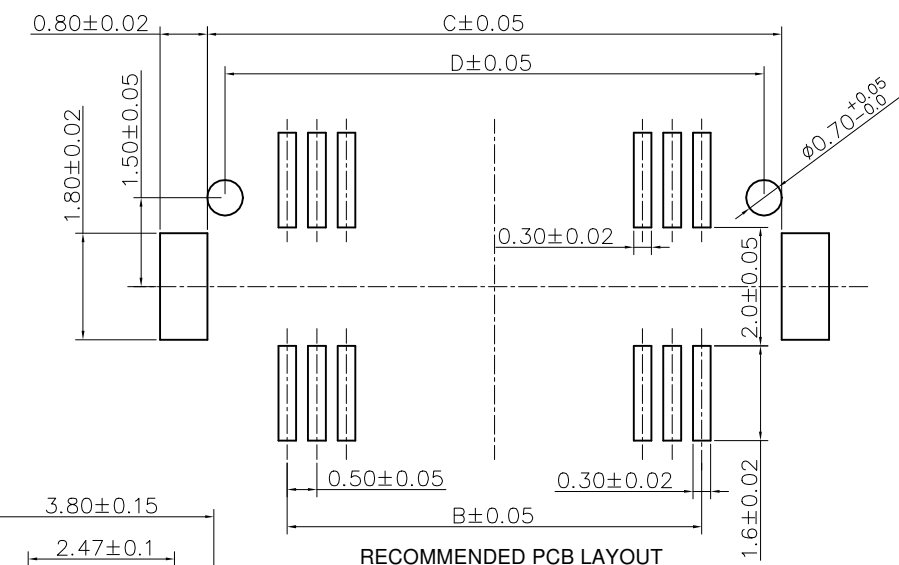
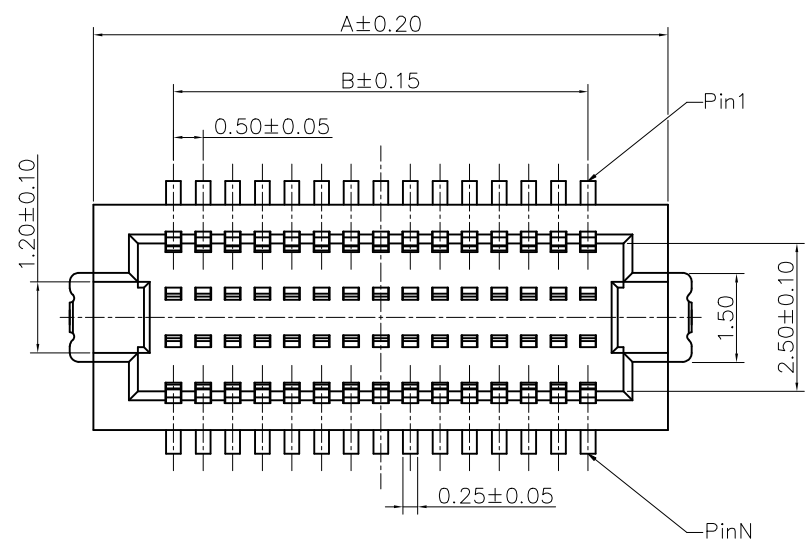
4

A

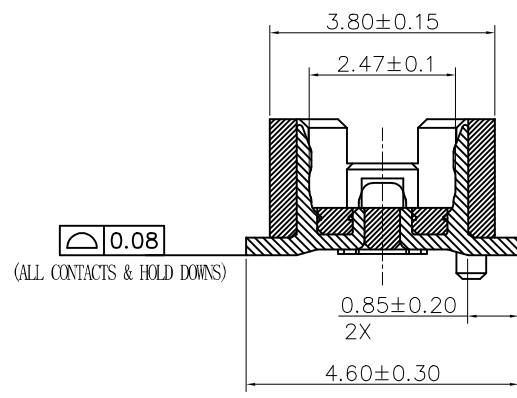
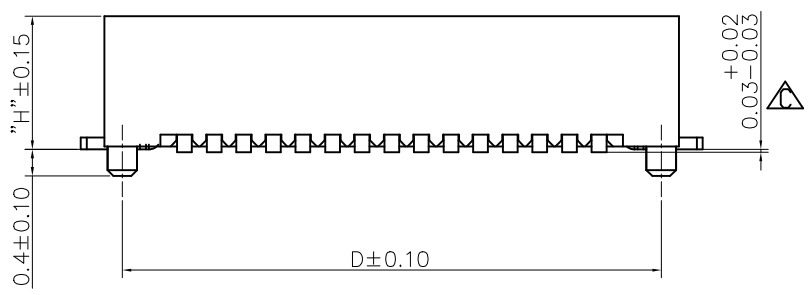
B

A

B



pin.No.	A	B	C	D	E
10	4.70	2.00	4.70	4.10	5.50
20	7.20	4.50	7.20	6.60	8.00
30	9.70	7.00	9.70	9.10	10.50
40	12.20	9.50	12.20	11.60	13.00
50	14.70	12.00	14.70	14.10	15.50
60	17.20	14.50	17.20	16.60	18.00

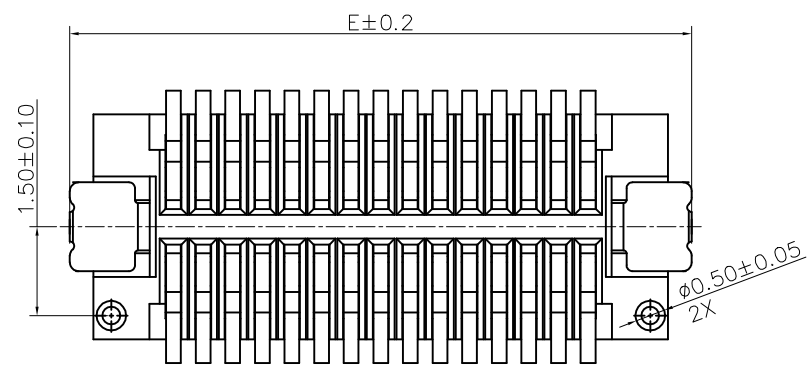


TYPE	"H"
PLUG 1	2.30
PLUG 2	2.80
PLUG 3	3.30
PLUG 4	3.80

Amphenol FCI

Copyright FCI

D



PLUG 1~4

dr	Yuan-Yuan Bao	2018/10/17	projection	mm	size	A3	scale	1:1
eng	Yuan-Yuan Bao	2018/10/17			ecr no			
chr	-	-	product family	Bergstak	rel level	RELEASE		
appr	Tim Yao	2018/10/17						
Amphenol FCI			title		0.5mm PITCH BTB CONNECTOR		rev	
www.fci.com			cat. no.		-		Product - Customer drw	
			dwg no		10132797		sheet 2 of 3	
			cat. no.		-		C	

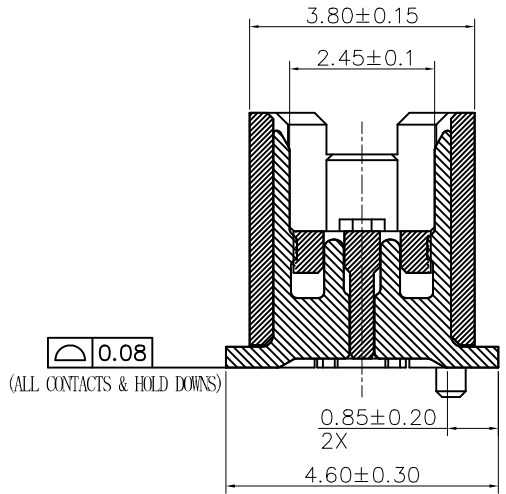
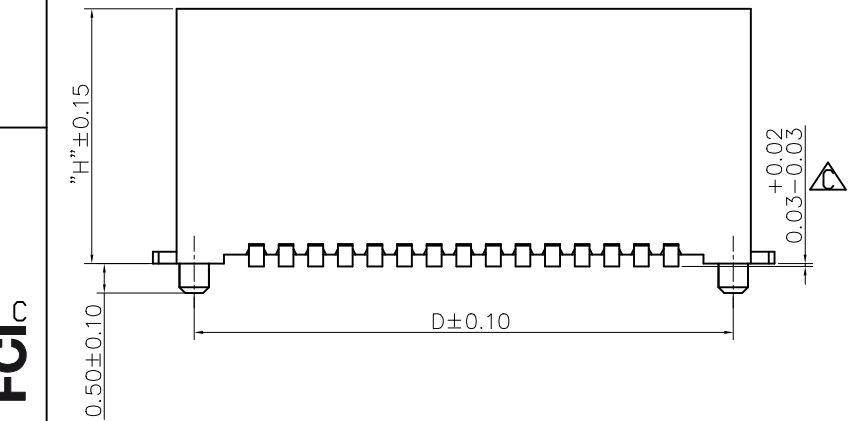
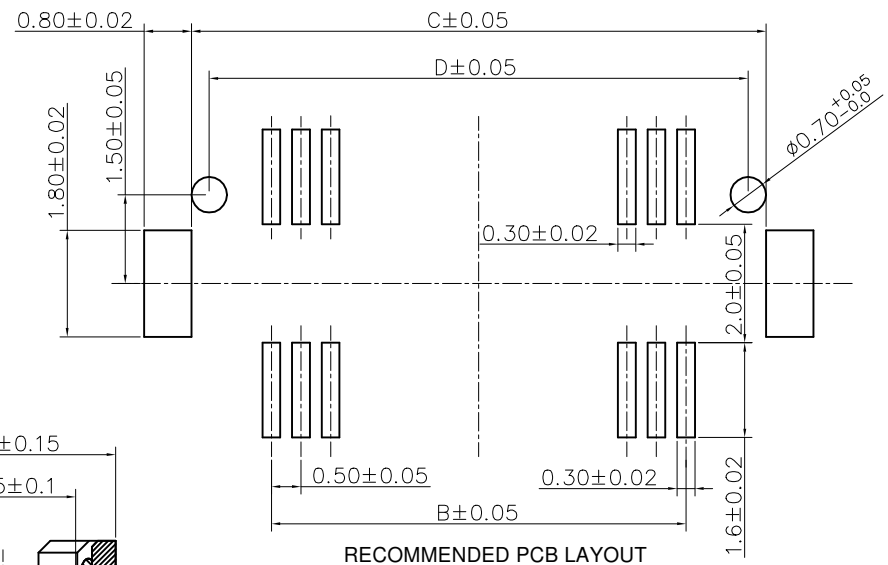
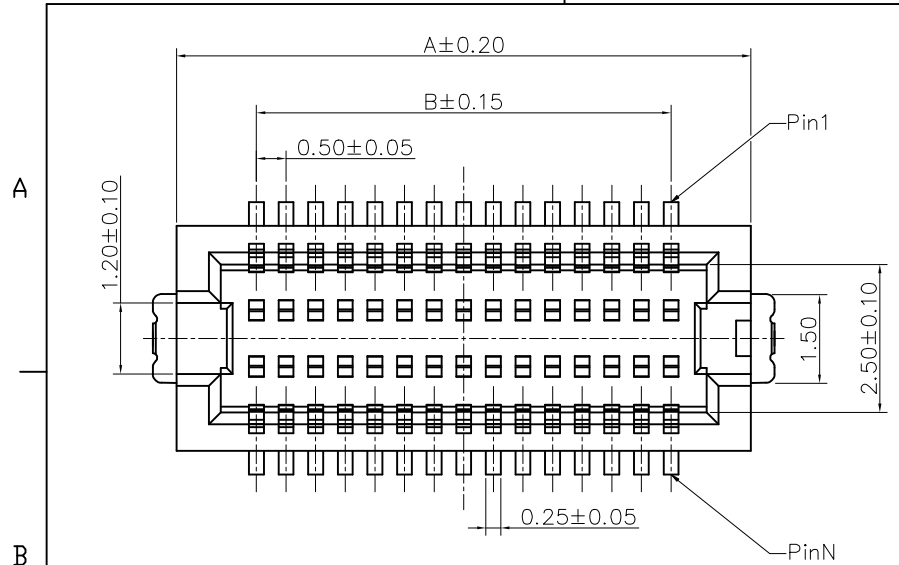
1

2

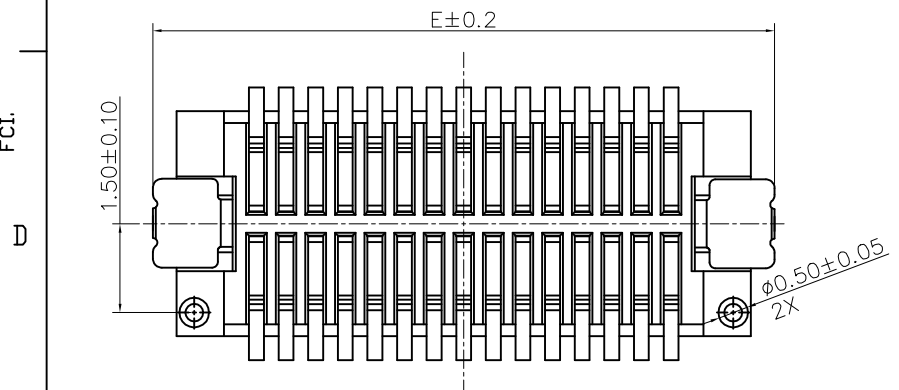
PDS: Rev :C

STATUS:Released 3 Printed: Nov 28, 2018

4



pin.No.	A	B	C	D	E
10	4.70	2.00	4.70	4.10	5.50
20	7.20	4.50	7.20	6.60	8.00
30	9.70	7.00	9.70	9.10	10.50
40	12.20	9.50	12.20	11.60	13.00
50	14.70	12.00	14.70	14.10	15.50
60	17.20	14.50	17.20	16.60	18.00



TYPE	"H"
PLUG 5	4.30
PLUG 6	4.80
PLUG 7	5.30

PLUG 5~7

dr	Yuan-Yuan Bao	2018/10/17	projection	mm	size	A3	scale	1:1	
eng	Yuan-Yuan Bao	2018/10/17			ecr no				
chr	-	-			rel level	RELEASE			
appr	Tim Yao	2018/10/17	product family	Bergstak					
Amphenol FCI title			0.5mm PITCH BTB CONNECTOR PLUG		dwg no	10132797		rev	C
www.fci.com cat. no.			-		Product - Customer drw			sheet 3 of 3	

Copyright FCI Amphenol