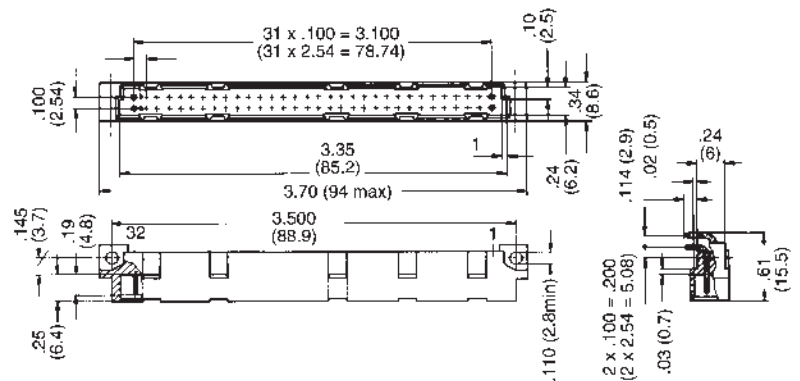
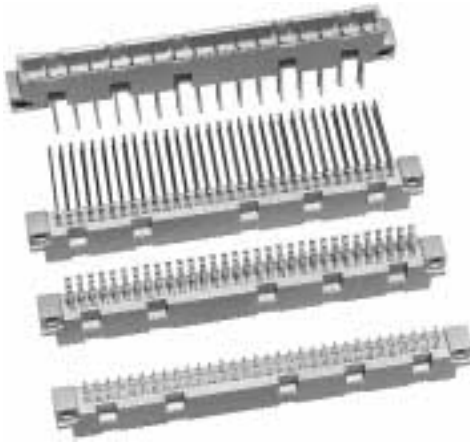
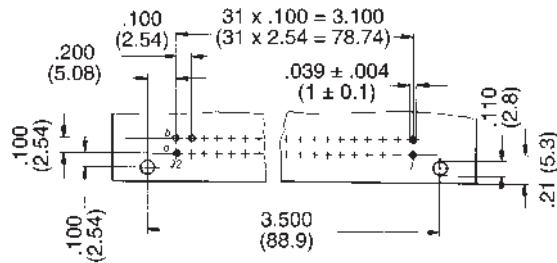


**Type B —
Series 100**

**32 and 64 Male Connectors
— Two Row**



Printed Circuit Layout

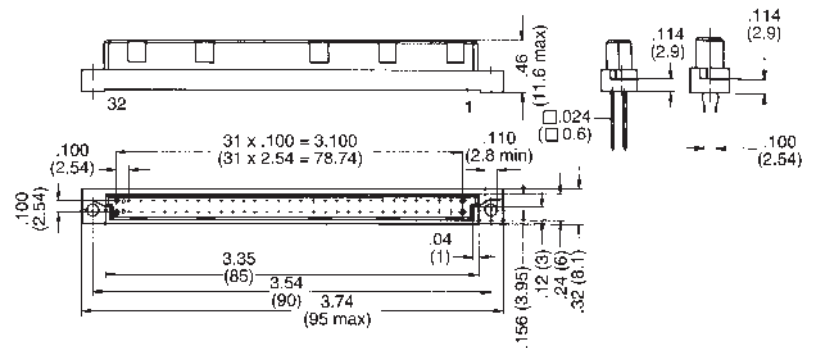


Part Numbers

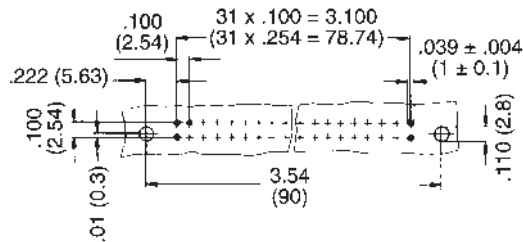
No. of Contacts	Contact Arrangement	Performance Level	Termination Methods			
32	Row a + b All Even Numbers	2	100-532-033	—	—	—
		3	100-532-053	—	—	—
64	Fully Equipped	2	100-064-033	100-064-133	100-064-031	100-064-134
		3	100-064-053	100-064-153	100-064-051	100-064-154

**Type B —
Series 100**

**32 and 64 Contact Female
Connectors — Two Row**



Printed Circuit Layout

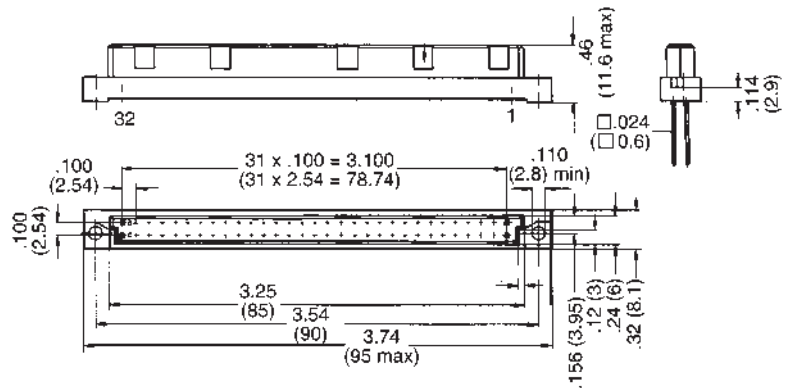


Part Numbers

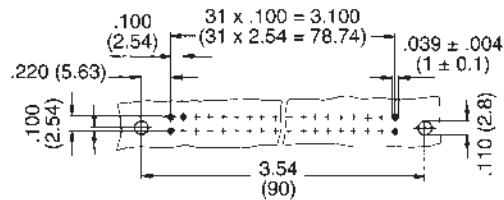
No. of Contacts	Contact Arrangement	Performance Level	Termination Methods					
32	Row a + b All Even Numbers	2	—	—	100-532-433	—	—	—
		3	—	—	100-532-453	—	—	—
64	Fully Equipped	2	100-064-431	100-064-432	100-064-433	100-064-439	100-064-434	100-064-533
		3	100-064-451	100-064-452	100-064-453	100-064-459	100-064-454	100-064-553

**Type B —
Series 100**

**Press-Fit
64 Contact Female
Connectors — Two Row**



Printed Circuit Layout



Press-Fit Technical Specifications

Compliant Pin	
P.C.B. Thickness	.06 - .13 (1.6 - 3.2 mm)
Finished Hole Size	.037 - .043 (0.94 - 1.09 mm)
Drill Size	.045 ± .0004 (1.15 ^{±0.01} mm)
Copper	100μ" - 300μ" (25-76μm)
Tin-Lead	30μ" (6μm min)

Part Numbers

No. of Contacts	Contact Arrangement	Performance Level	Press-Fit			Press-Fit Insertion Die
64	Fully Equipped	2	100-064-932	100-064-931	—	—
		3	100-064-952	100-064-951	—	200-022-081