

## Female connector - V-RC/TWUM 11/KVD 11/LBL 12 - 1000043

Please be informed that the data shown in this PDF Document is generated from our Online Catalog. Please find the complete data in the user's documentation. Our General Terms of Use for Downloads are valid (<http://phoenixcontact.com/download>)

M23 socket, 12-pos., angled, freely configurable, with solder connection, for external cable diameter of 8 mm ... 12 mm



### Key Commercial Data

Packing unit	1 pc
GTIN	 4 017918 399856
GTIN	4017918399856
Weight per Piece (excluding packing)	169.200 g
Custom tariff number	85366990
Country of origin	Germany

### Technical data

#### General

Rated voltage	150 V
Total rated current	8 A (with 1 mm <sup>2</sup> conductor cross section)
Number of positions	12
Flammability rating according to UL 94	V0
Note	The connector is designed for use on sensor/actuator boxes with an M23 plug-in connection.

#### Ambient conditions

Degree of protection	IP65
	IP67
Ambient temperature (operation)	-20 °C ... 80 °C

#### Master cable data/connection data

## Female connector - V-RC/TWUM 11/KVD 11/LBL 12 - 1000043

### Technical data

#### Master cable data/connection data

Connection method	M23 screw locking
Conductor cross section max. (signal)	1 mm <sup>2</sup>
Conductor cross section max. (energy)	1 mm <sup>2</sup>
External cable diameter min.	8 mm
External cable diameter max.	12 mm

#### Insulation material

Housing material	GD-Zn
Housing surface material	Nickel-plated
Contact material	CuZn
Contact surface material	gold-plated
Contact carrier material	PBT

#### Connection assignment

Slot/position = pin = conductor color	1 / 4 (A) = 1 = WH
	2 / 4 (A) = 2 = GN
	3 / 4 (A) = 3 = YE
	4 / 4 (A) = 4 = GY
	5 / 4 (A) = 5 = PK
	6 / 4 (A) = 6 = RD
	7 / 4 (A) = 7 = BK
	8 / 4 (A) = 8 = VT
	1-8 / 1 (+ 120 V) = 11 = BN
	1-8 / 3 (0 V) = 9+10 = BU
	1-8 / 5 (PE) = 12 = GN/YE

#### Standards and Regulations

Flammability rating according to UL 94	V0
--	----

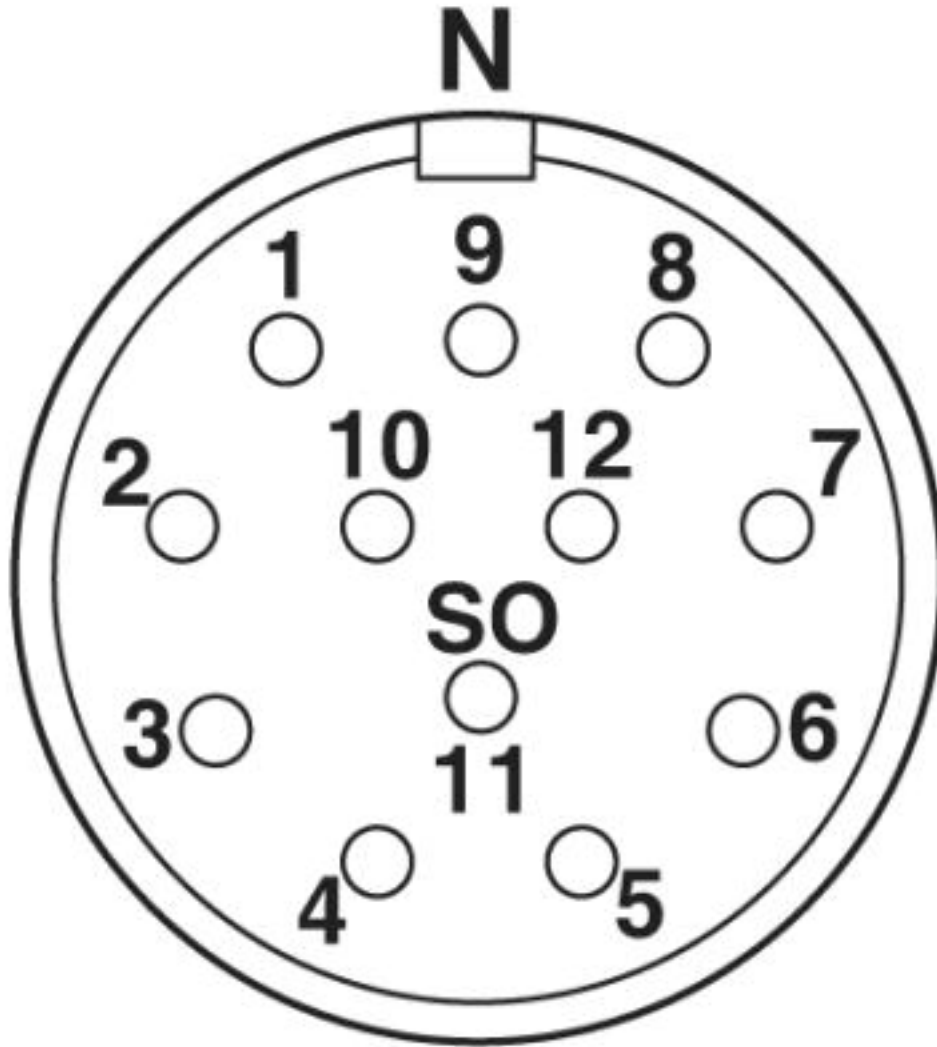
#### Environmental Product Compliance

	Lead 7439-92-1
China RoHS	Environmentally Friendly Use Period = 50
	For details about hazardous substances go to tab "Downloads", Category "Manufacturer's declaration"

### Drawings

# Female connector - V-RC/TWUM 11/KVD 11/LBL 12 - 1000043

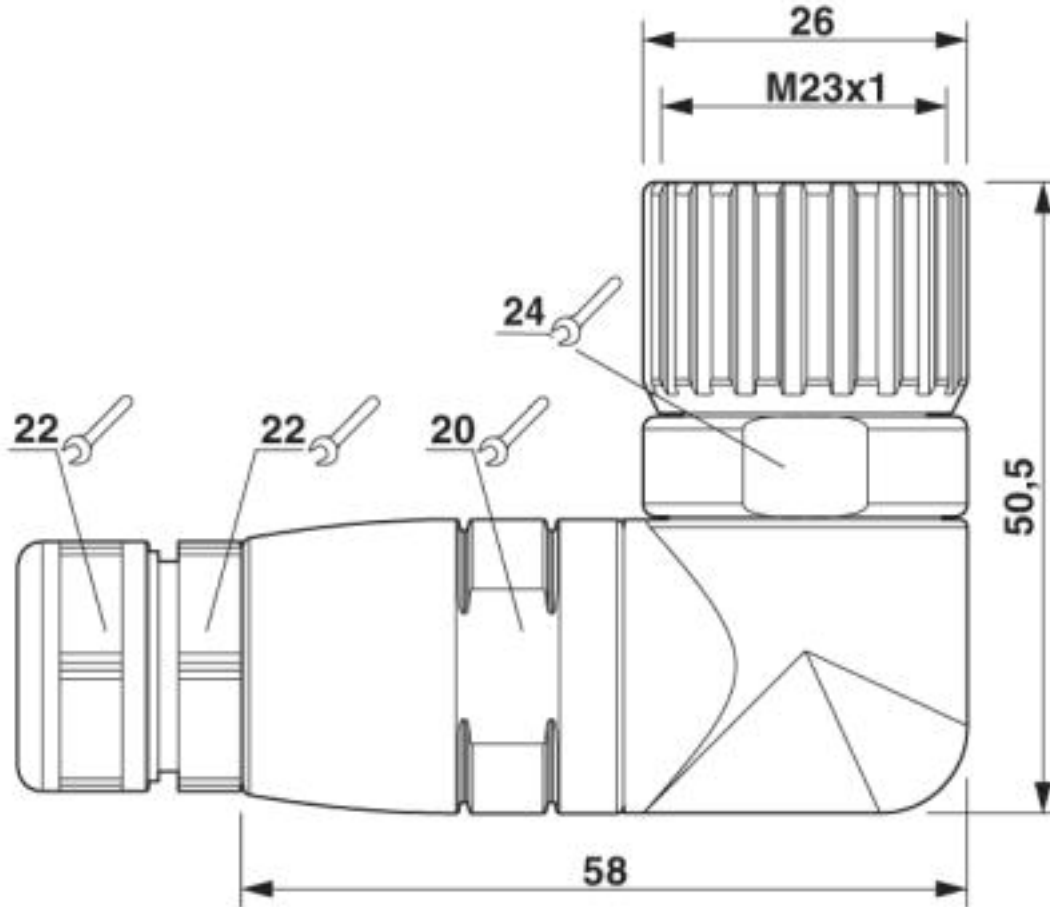
Schematic diagram



Pin assignment M23 socket, 12-pos., female side view

## Female connector - V-RC/TWUM 11/KVD 11/LBL 12 - 1000043

Dimensional drawing



### Classifications

eCl@ss

eCl@ss 4.0	27260700
eCl@ss 4.1	27260700
eCl@ss 5.0	27260700
eCl@ss 5.1	27260700
eCl@ss 6.0	27260700
eCl@ss 7.0	27440102
eCl@ss 8.0	27440102
eCl@ss 9.0	27440103

ETIM

ETIM 2.0	EC000437
----------	----------

# Female connector - V-RC/TWUM 11/KVD 11/LBL 12 - 1000043

## Classifications

### ETIM

ETIM 3.0	EC001121
ETIM 4.0	EC001121
ETIM 5.0	EC002635
ETIM 6.0	EC002061

### UNSPSC

UNSPSC 6.01	31261502
UNSPSC 7.0901	31261502
UNSPSC 11	31261502
UNSPSC 12.01	31261502
UNSPSC 13.2	39121413
UNSPSC 18.0	39121413
UNSPSC 19.0	39121413
UNSPSC 20.0	39121413
UNSPSC 21.0	39121413

## Approvals

### Approvals

---

Approvals

EAC

---

Ex Approvals

---

### Approval details

EAC		B.01742
-----	---	---------

## Accessories

### Accessories

## Female connector - V-RC/TWUM 11/KVD 11/LBL 12 - 1000043

### Accessories

Pipe spanner - PLUSCON-RCS - 1665062



Special pipe spanner, tool for mounting the M23 connector housing (with assembly), for coupling and sleeve housing