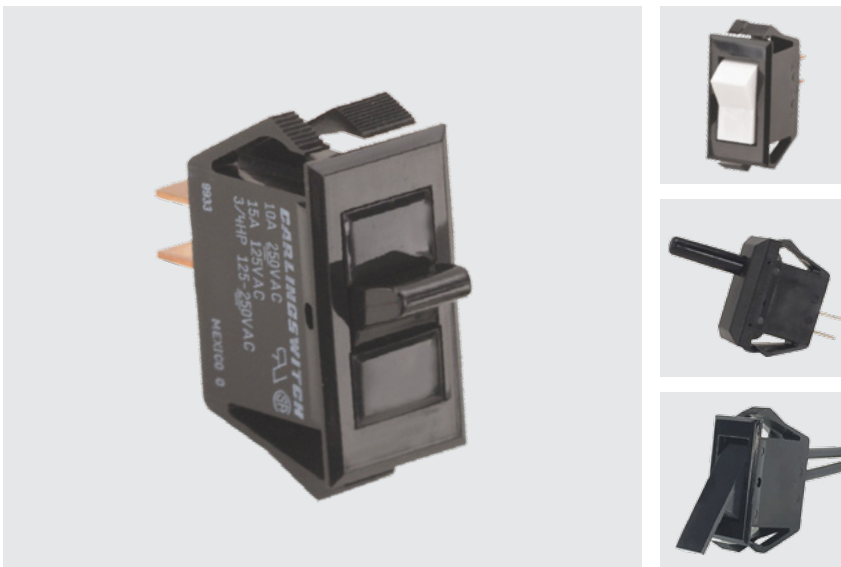


# T-Series

## T-Series

### SINGLE POLE ROCKER & PADDLE SWITCHES

The predecessor to the Corvette series whose versatility has allowed it to stand the test of time. Traditional styling coupled with self cleaning contacts, integrated wire leads, a multitude of circuits, ratings, and actuator choices has made the TA/LTA-Series appeal to a wide range of markets.



#### Product Highlights:

- ◆ Ratings Up To 20A
- ◆ Rocker, Paddle, Plunger or Door Interlock Actuators
- ◆ Integrated Wire Lead Construction
- ◆ Self-Cleaning Wiping Style Contacts

#### Typical Applications:

- ◆ Appliance
- ◆ HVAC
- ◆ Food Service
- ◆ Transportation



### Dielectric Strength

UL/CSA:  
1000V - live to dead metal parts

### Electrical Life

100,000 cycles

### Mechanical Life

100,000 cycles

### Operating Temperature

32°F to 185°F (0°C to 85°C)

**TA201 - T B - B**

<sup>1</sup>  
Base Part Number

<sup>2</sup>  
Actuator Style

<sup>3</sup>  
Actuator Color

<sup>4</sup>  
Bezel Color/Style

#### 1 BASE PART NUMBER: SERIES / CIRCUITRY / RATING <sup>4</sup> / TERMINATION

10A 250 VAC, 15A 125 VAC, 3/4 HP 125-250 VAC  
Solder Lugs .250 Tabs Wire Leads

**Standard Base**  
ON-NONE-OFF TA200 TA201 TA205  
ON-NONE-ON TB200 TB201 TB205  
ON-OFF-ON TC200 TC201 TC205

5A 250 VAC, 10A 125 VAC, 1/2 HP 125-250 VAC  
(ON)-NONE-OFF TA10A TA10B TA10F  
(ON)-NONE-(OFF) TA10L TA10M TA10T  
ON-NONE-(ON) TB10A TB10B TB10F

#### T-SERIES WITH PLUNGER ACTUATOR<sup>1,2</sup>

10A 250 VAC, 16A 125 VAC, 1/2 HP 125-250 VAC  
OFF-NONE-(ON) - TA25B-PLB-B TA25F-PLB-B  
ON-NONE-(OFF) - - TA25T-PLB-B

#### T-SERIES WITH MOMENTARY ROCKER ACTUATOR

10A 250 VAC, 15A 125 VAC, 20A 125-250 VAC "H", 3/4 HP 125-250 VAC  
(ON)-NONE-OFF - TA22B-TLB-B -  
ON-NONE-(OFF) - TA22M-TLB-B -

#### 2 ACTUATOR STYLE

T Rocker PS Short Paddle  
P Paddle

#### 3 ACTUATOR COLOR <sup>5</sup>

B Black W White

#### 4 BEZEL COLOR <sup>5</sup>

B Black W White

#### Notes:

Imprinting is available. Consult factory.

1 Optional plunger support option is available for applications requiring extensive lateral travel, consult factory for details.

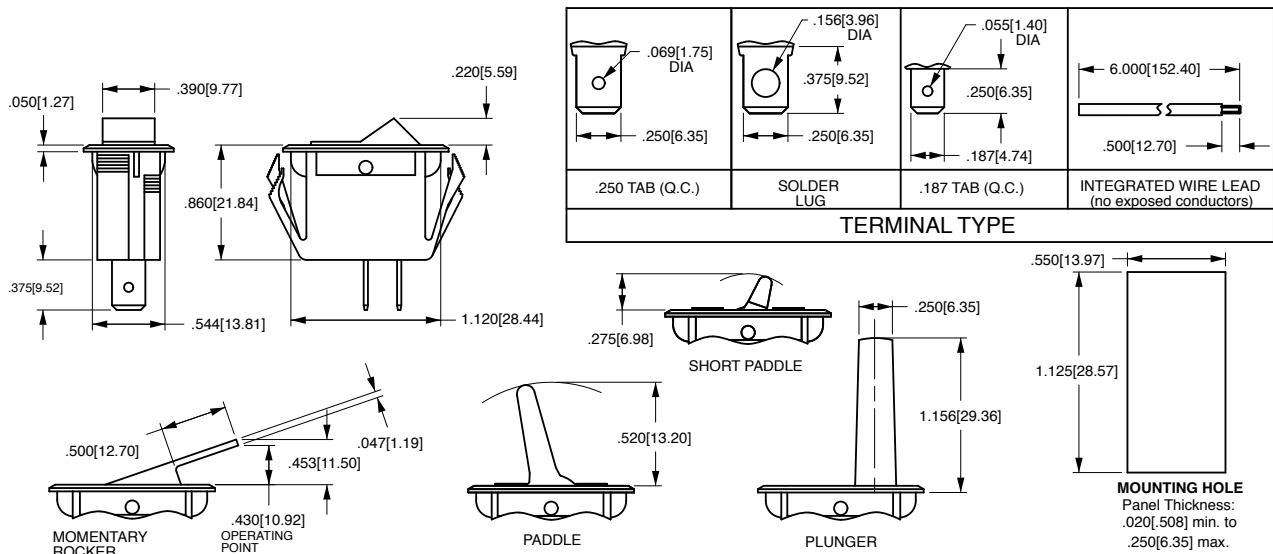
2 Maintained circuit not available with TA22 and TA25 Series.

3 .187 tab terminals also available. Consult factory for catalog number callout.

4 Additional ratings are available. Consult factory.

5 Additional colors are available. Consult factory.

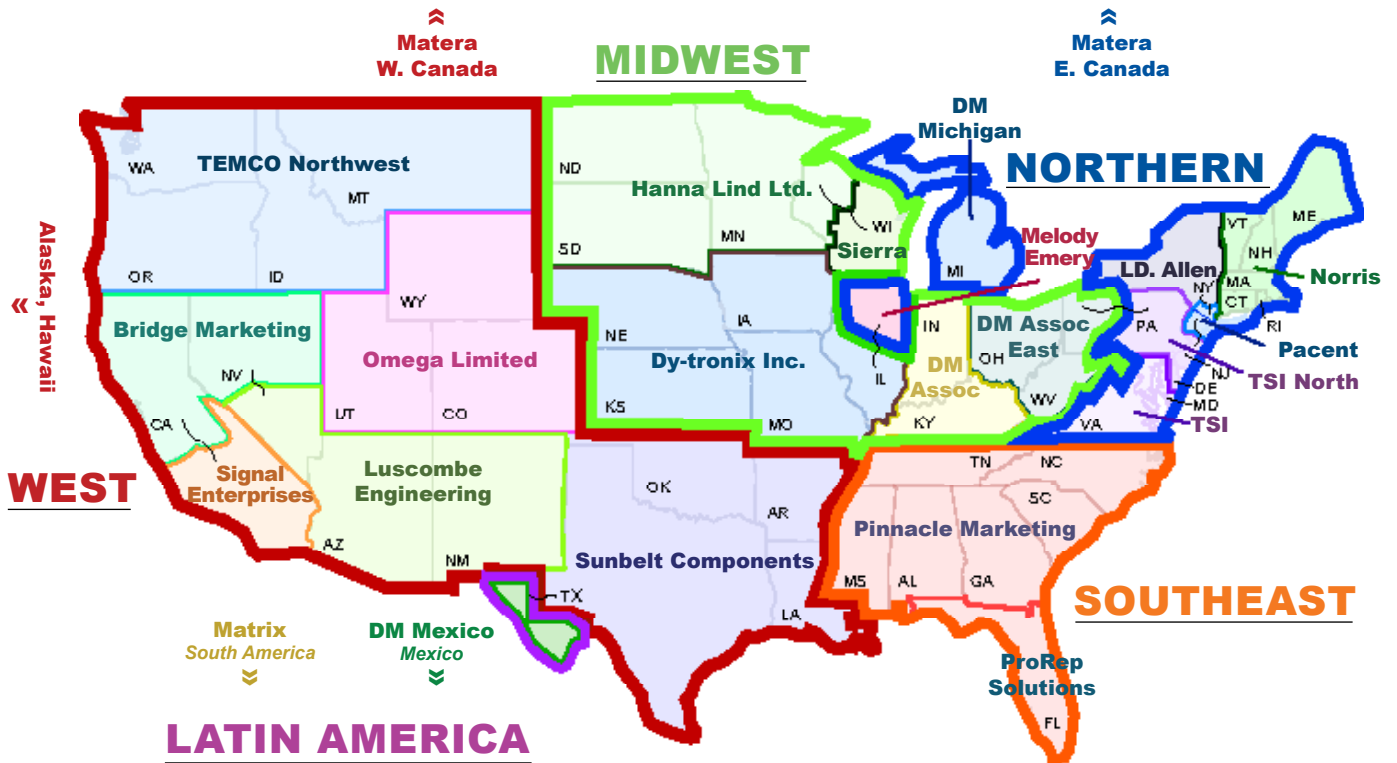
( ) Indicates momentary function.



\*Manufacturer reserves the right to change product specification without prior notice.

## Authorized Sales Representatives

Click on the group name on the map below to find your local representative or visit [www.carlingtech.com/findarep](http://www.carlingtech.com/findarep).



## About Carling

Founded in 1920, Carling Technologies is a leading manufacturer of electrical and electronic switches and assemblies, circuit breakers, electronic controls, power distribution units, and multiplexed power distribution systems. With four ISO registered manufacturing facilities and technical sales offices worldwide, Carling Technologies Sales, Service and Engineering teams do much more than manufacture electrical components, they engineer powerful solutions! To learn more about Carling please visit [www.carlingtech.com/company-profile](http://www.carlingtech.com/company-profile).

To view all of Carling’s environmental, quality, health & safety certifications please visit [www.carlingtech.com/environmental-certifications](http://www.carlingtech.com/environmental-certifications)

## **Worldwide Headquarters**

Carling Technologies, Inc.  
60 Johnson Avenue, Plainville, CT 06062  
**Phone:** 860.793.9281 **Fax:** 860.793.9231  
**Email:** sales@carlingtech.com

**Northern Region Sales Office:** nrsm@carlingtech.com  
**Southeast Region Sales Office:** sersm@carlingtech.com  
**Midwest Region Sales Office:** mrrsm@carlingtech.com  
**West Region Sales Office:** wrsm@carlingtech.com  
**Latin America Sales Office:** larsm@carlingtech.com

## **Asia-Pacific Headquarters**

Carling Technologies, Asia-Pacific Ltd.,  
Kowloon, Hong Kong  
**Phone:** Int + 852-2737-2277 **Fax:** Int + 852-2736-9332  
**Email:** sales@carlingtech.com.hk

**Shenzhen, China:** shenzhen@carlingtech.com  
**Shanghai, China:** shanghai@carlingtech.com  
**Pune, India:** india@carlingtech.com  
**Kaohsiung, Taiwan:** taiwan@carlingtech.com  
**Yokohama, Japan:** japan@carlingtech.com

## **Europe | Middle East | Africa Headquarters**

Carling Technologies LTD  
4 Airport Business Park, Exeter Airport,  
Clyst Honiton, Exeter, Devon, EX5 2UL, UK  
**Phone:** Int + 44 1392.364422 **Fax:** Int + 44 1392.364477  
**Email:** ltd.sales@carlingtech.com

**Germany:** gmbh@carlingtech.com  
**France:** sas@carlingtech.com



**Carling Technologies™**

Innovative Designs. Powerful Solutions.