

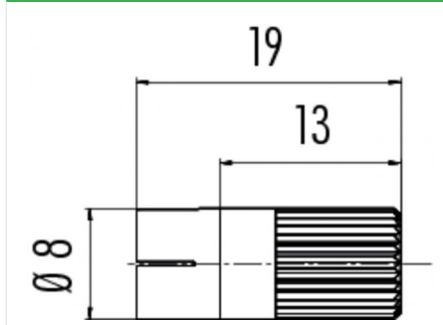
Product description **Snap-In IP40 cable connector, Contacts: 4, 3.6 mm, Shielding is not possible, solder, IP40**

Area **Snap-In IP40 series 719**
Order number **09 9767 00 04**

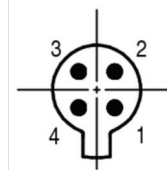
Illustration



Scale drawing



Contact arrangement



	X	Y
1	1,06	-1,06
2	1,06	1,06
3	-1,06	1,06
4	-1,06	-1,06

You can find the component part drawing on the next page.

Technical data

General values

Connector design	cable connector
Connector locking system	snap
Termination	solder
Wire gauge (mm)	0.25 mm ²
Wire gauge (AWG)	24
Cable outlet	3.6 mm
Upper limit temperature	70 °C
Lower limit temperature	- 25 °C
Customs tariff number	85369010

Electrical values

Rated current (40 °C)	3 A
Rated voltage	60 V
Rated impulse voltage	800 V
Pollution degree	1
Overvoltage category	II
Insulating material group	III
Insulation resistance	≥ 10 ¹⁰ Ω
EMC compliance	Shielding is not possible
Degree of protection	IP40
Mechanical operation	> 100 Mating cycles

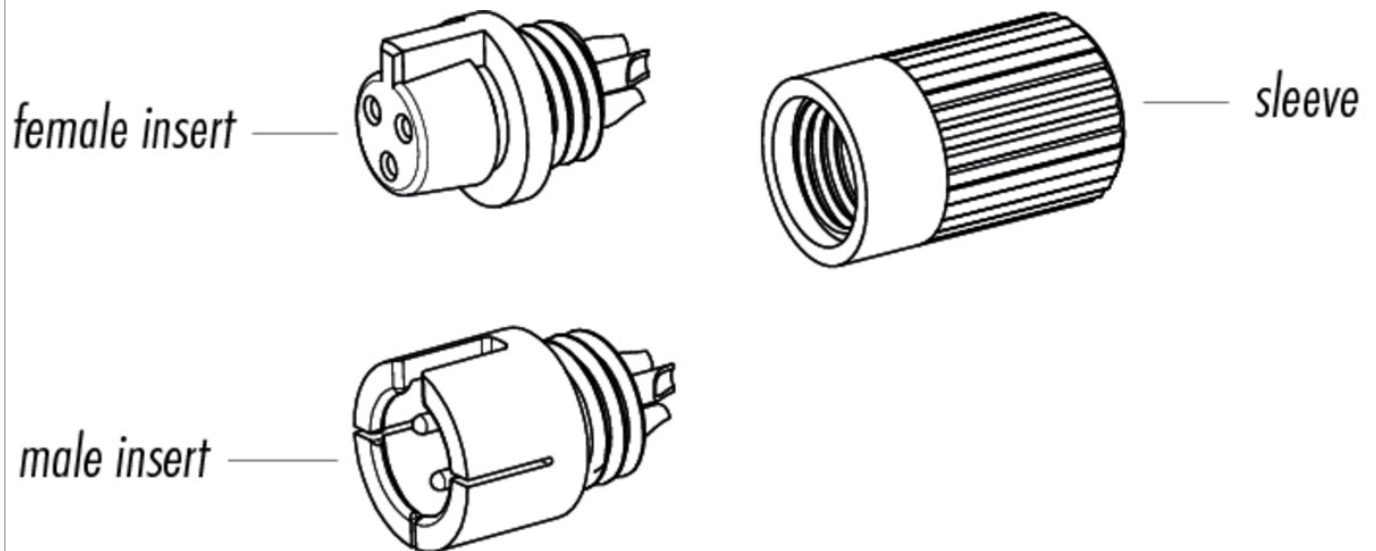
Material

Contact material	CuZn (brass)
Contact plating	Au (gold)
Contact body material	PA
Housing material	PA

Product description **Snap-In IP40 cable connector, Contacts: 4, 3.6 mm, Shielding is not possible, solder, IP40**

Area **Snap-In IP40 series 719**
Order number **09 9767 00 04**

Component part drawing



Product description	Snap-In IP40 cable connector, Contacts: 4, 3.6 mm, Shielding is not possible, solder, IP40
Area	Snap-In IP40 series 719
Order number	09 9767 00 04

Security notices

The connectors are designed for use in plant, control system and electrical equipment. The end user is responsible for checking whether the connectors are suitable for use in other applications.