

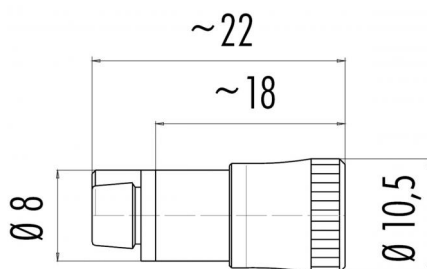
Product description Snap-In IP40 female cable connector, Contacts: 3, 3.5 - 5.0 mm, solder, IP40

Area Snap-In IP40 series 719  
Order number 09 9748 71 03

### Illustration



### Scale drawing



### Contact arrangement (Plug-in side)



	X	Y
1	-1,20	-0,70
2	0,00	1,40
3	1,20	-0,70

You can find the component part drawing on the next page.

## Technical data

### General features

Order number	09 9748 71 03
Connector design	female cable connector
Version	connector female straight
Connector locking system	snap
Termination	solder
Degree of protection	IP40
Cross-sectional area	0.25 mm <sup>2</sup> / AWG 24
Cable outlet	3.5 - 5.0 mm
Temperature range from/to	-25 °C / 70 °C
Mechanical operation	> 100 Mating cycles
Weight (g)	1.205
Customs tariff number	85369010

### Declarations of conformity

Low Voltage Directive	2014/35/EU (EN 60204-1:2018;EN 60529:1991)
-----------------------	--------------------------------------------

### Electrical parameters

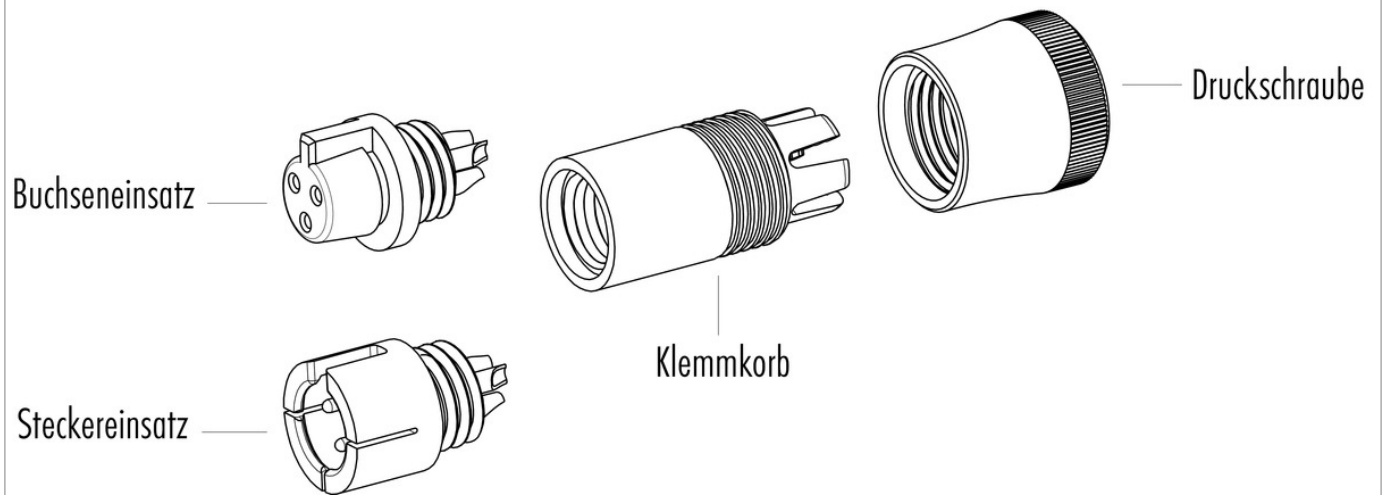
Rated voltage	60 V
Rated impulse voltage	800 V
Rated current (40 °C)	3 A
Insulation resistance	≥ 10 <sup>10</sup> Ω
Pollution degree	I
Overvoltage category	II
Insulating material group	III

### Material

Housing material	PA
Contact body material	PA
Contact material	CuSn (bronze)
Contact plating	Au (gold)
REACH SVHC	CAS 7439-92-1 (Lead)

Product description	Snap-In IP40 female cable connector, Contacts: 3, 3.5 - 5.0 mm, solder, IP40
Area	Snap-In IP40 series 719
Order number	09 9748 71 03

### Component part drawing



Product description	Snap-In IP40 female cable connector, Contacts: 3, 3.5 - 5.0 mm, solder, IP40
Area	Snap-In IP40 series 719
Order number	09 9748 71 03

## Security notices

The connectors have been developed for applications in plant engineering, control and electrical equipment construction. The user is responsible for checking whether the connectors can also be used in other areas of application.