

Business Unit: Electric
Product range: Han / smart Han
Author: Ralf Reicks
Title: Han-Modular(R) Surge Protection Modules

PI/17/086/C+N
Date: 2017-11-27



Dear Ladies and Gentlemen,

We would like to announce the new Surge Protection Modules in Han-Modular®.

Background

The transmission quality of signals from measuring, control and regulation technology depends both on the connector used as well as on the presence of protective devices within signal circuits. In order to save space, time and finally costs, miniaturization and modularization plays an important role.

For this reasons, HARTING developed together with the company DEHN + SÖHNE a surge protection module for sensitive control equipment which fits in a rectangular connector.

Two different versions of the module protect different control signals like analogue signals, digital signals and within limits differential signals from bus applications.

The application of surge protection modules reduces the number of operating faults, increase the life of the production line and ultimately increase system availability.

Product features

The surge protection modules work inly as combination of socket + plug module

Type 1 – Han-Modular® SP SO DM2 (Socket) + Han-Modular® SP PL DM2 (Plug)

Differential Mode



- Surge protection for two pairs of balanced signals
- Protects symmetric signals interfaces with electrical isolation
- Fits in a Han-Modular® connector system
- Nominal voltage: 24VDC
- Nominal current: max. 0.5A

Type 2 – Han-Modular® SP SO CM4 (Socket) + Han-Modular® SP PL CM4 (Plug)

Common Mode



- Surge protection for four single lines
- Protects signals with common ground
- Fits in a Han-Modular® connector system
- Nominal voltage: 24VDC
- Nominal current: max. 0.5A

Customers benefits



No DIN hat rail Surge Protection device necessary, saves space in the cabinet



No wiring in the cabinet, less assembly time



UL listed (in process)– Safe for public use (UL497B / UL94 V-0)



Connect and protect simultaneously

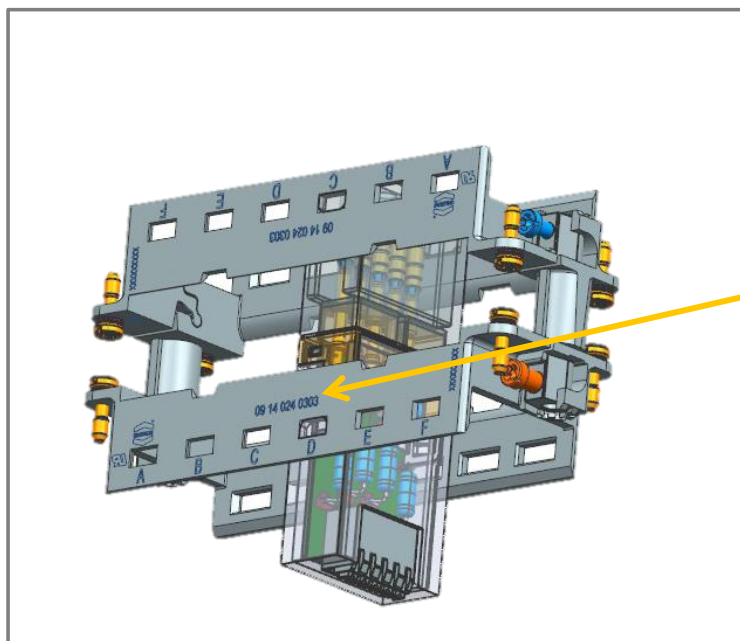


Overvoltage stops at the cabinet

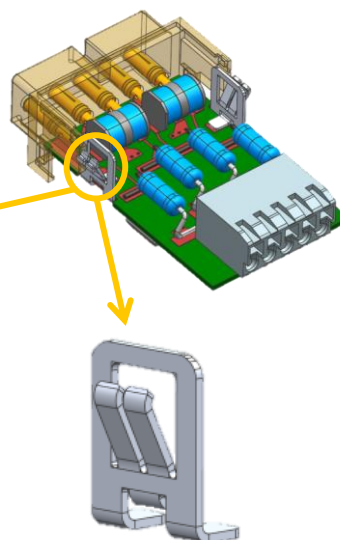


Flexible use, for different kind of signals

Installation in an Han® connector and discharge of the surge pulse

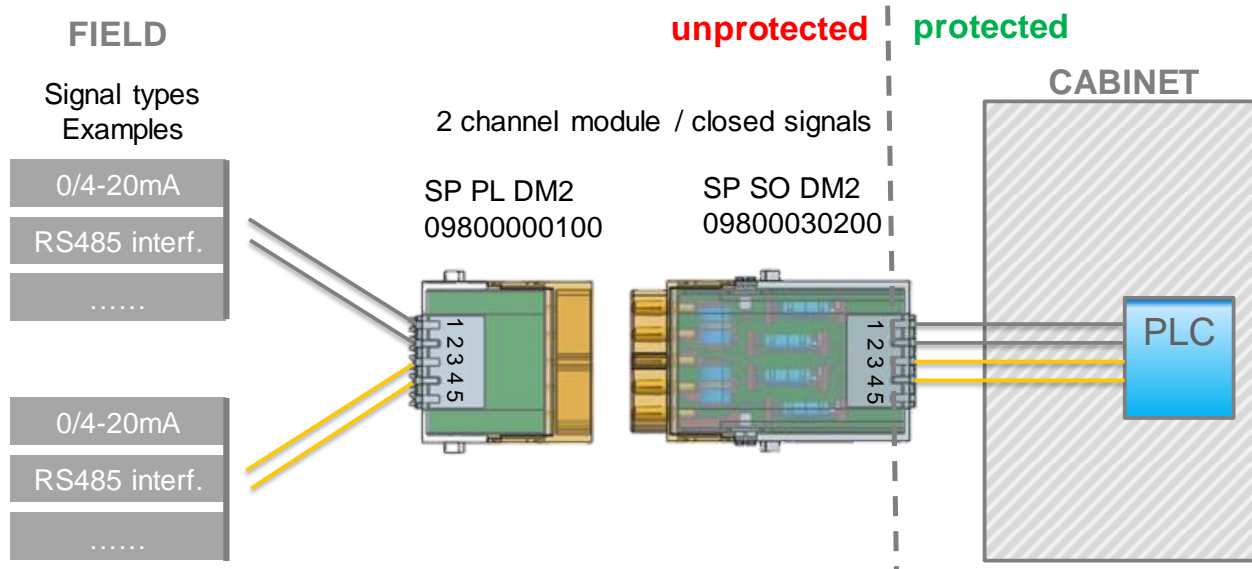


Grounding concept

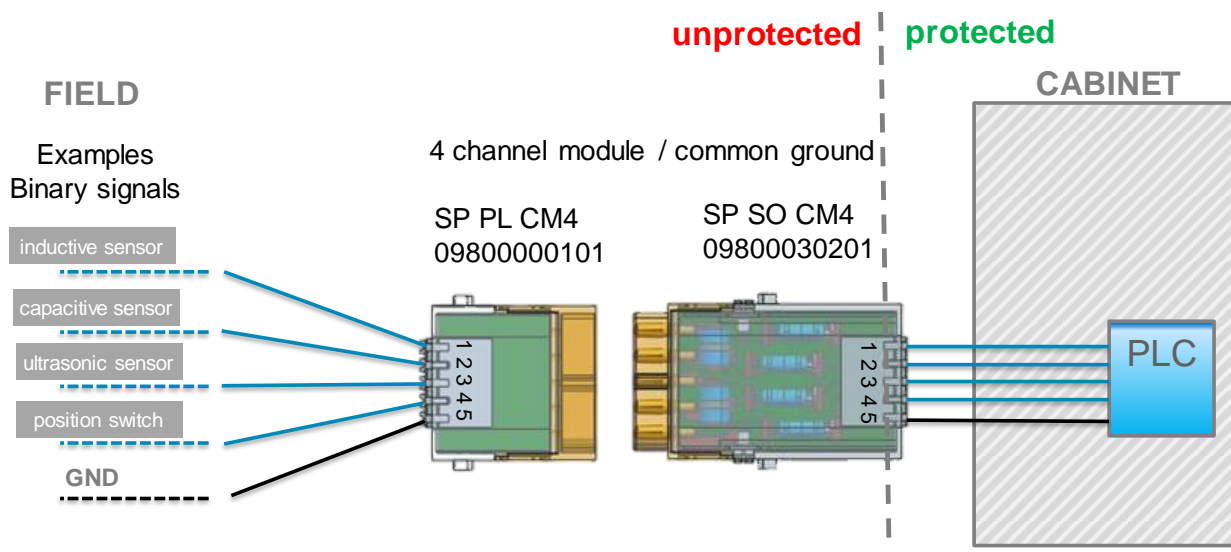


The hinged frame must be connected with an earthing cable $>6\text{mm}^2$ resp. $<\text{AWG}10$

Application example – Differential Mode



Application example – Common Mode









Pushing Performance

HARTING Product Information

PI

Part numbers

Part number	Designation	Note	eCatalogue
09800000100	Han-Modular® SP PL DM2	Male	 eCatalogue
09800030200	Han-Modular® SP SO DM2	Female	 eCatalogue
09800000101	Han-Modular® SP PL CM4	Male	 eCatalogue
09800030201	Han-Modular® SP SO CM4	Female	 eCatalogue

Availability

The serial production will start in January 2018.

Prices

The SAP workflows are existing and the transfer prices are listed in SAP.

Best regards,

Ralf Reicks
Product Manager
E-Mail: Ralf.Reicks@HARTING.com
Phone: +49 (5772)47-7075
<http://www.HARTING.com>