

5

4

3

2

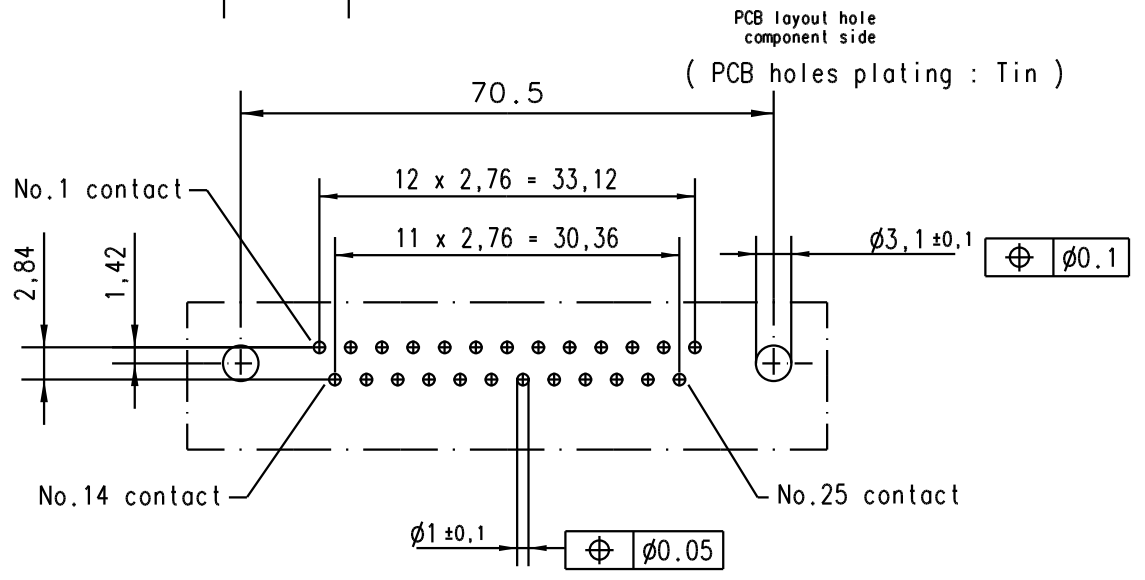
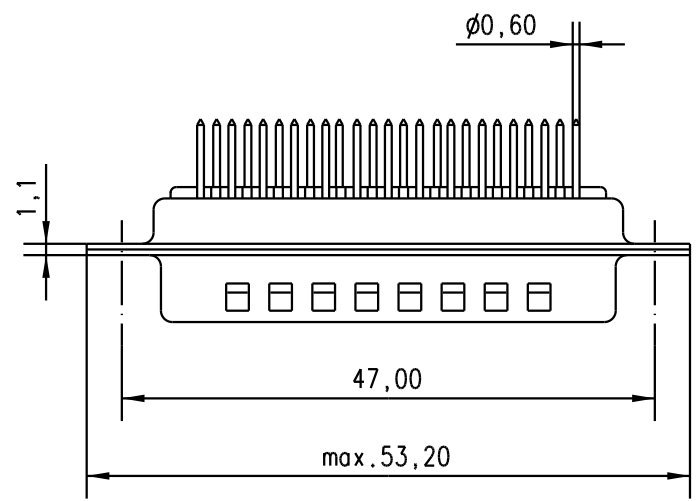
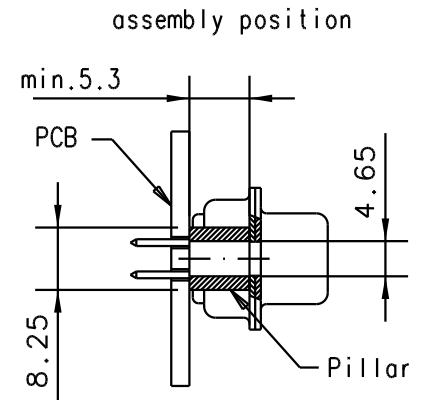
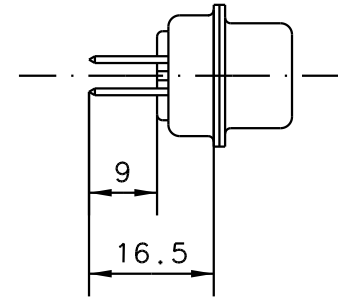
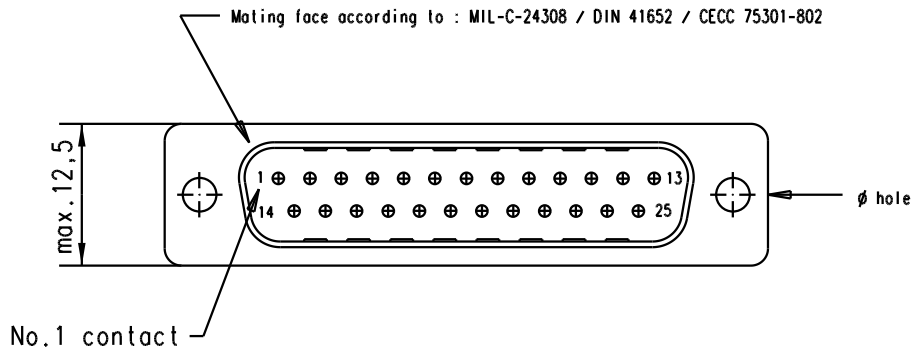
1

D

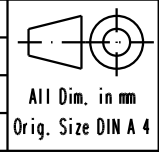
C

B

A



Part number	ϕ hole	Performance level	Mod.	Dat.	Name	Dat.	Name
09 67 025 5656	3.1 ± 0.1	1	32991	01/09/05	JMDR	Detail. 07/feb/01	jfb
09 67 025 5655	3.1 ± 0.1	2	27993	04/04/01	AF	Insp.	
09 67 025 5654	3.1 ± 0.1	3	27974	07/feb/01	jfb	Stand.	
						HARTING EURL F-95972 Paris	



All Dim. in mm
Orig. Size DIN A 4



D-Sub, Male, Straight, 25 Poles
with turned solder contacts
and hole

TB 0967025565x

Sub.

No Mstab/
Scale
1.5:1

Blatt/ Page
1/2