

5

4

3

2

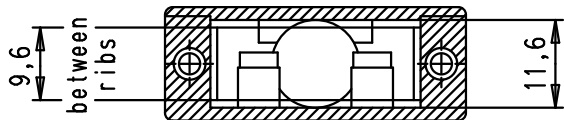
1

D

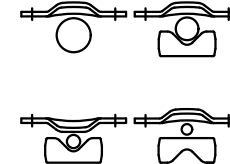
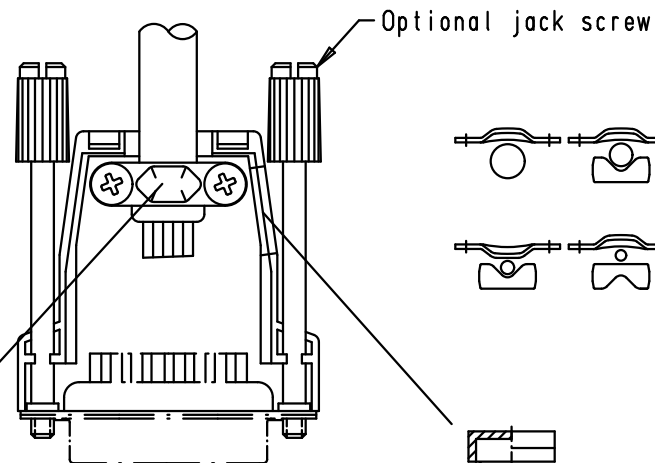
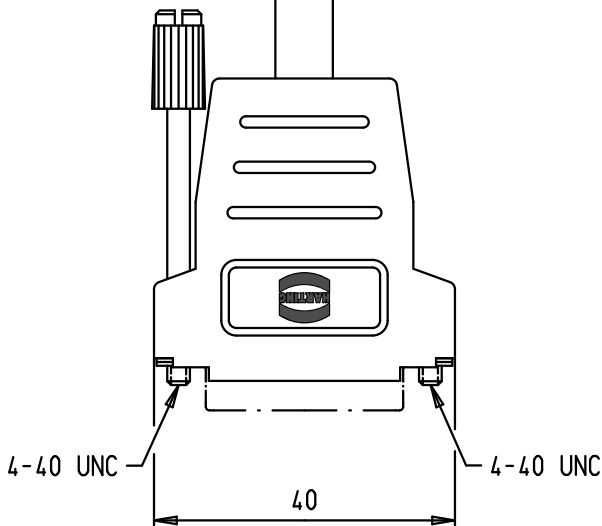
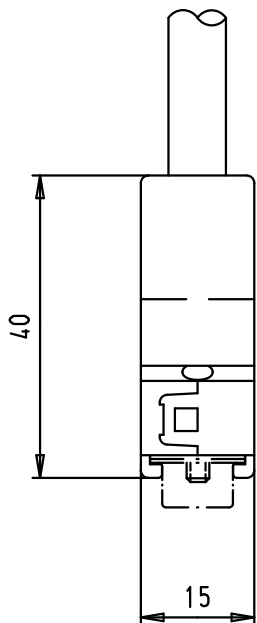
C

B

A



Max ϕ 11,5



Cover in place of grommet

				Dot.	Name	<p>All Dim. in mm Orig. Size DIN A 4</p>	D-Sub, top and side entry hood with knurled screws, 15 poles, thermoplastic black	Maßstab/ Scale	
				Detail.	28/03/02			CV	1:1
				Insp.					
				Stand.					
34784	13/02/08	PK	HARTING EURL F-95972 Paris				TB 09 67 015 0434	Blatt/ Page	
29760	28/03/02	CV						1 / 1	
Mod.	Dot.	Name						Sub.	