

5

4

3

2

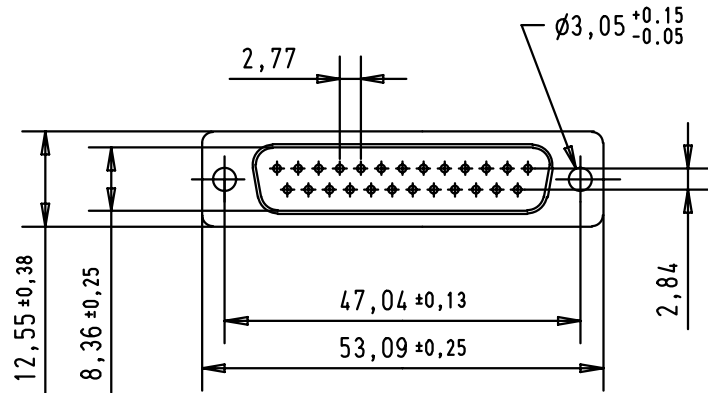
1

D

C

B

A



RECOMMENDED PANEL CUTOUT DIMENSIONS

13,03±0,13-front mount
11,4±0,13-rear mount

6,52±0,13-front mount
5,71±0,13-rear mount

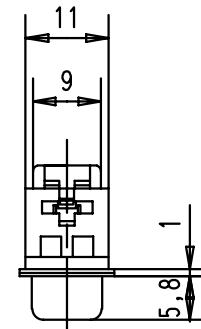
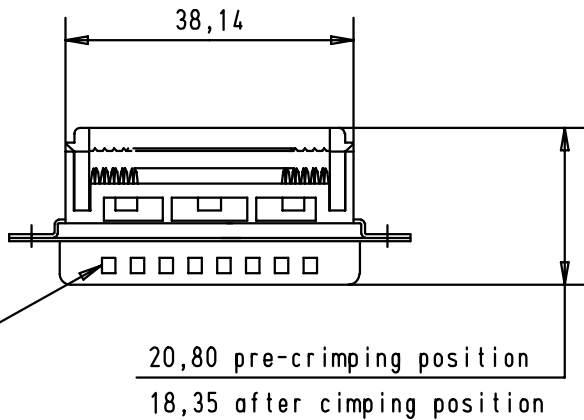
44,27±0,13-front mount
42,52±0,13 rear mount

R3,5 max for front mounting

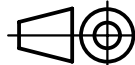

47,04

Ø3,04 ± 0,05

10° Typ. optional
(rear mount only)



1.27 mm pitch flat cable stranded, wire sizes : AWG 26 to 28

09 66 328 7700	25	3						Dat.	Name	 All Dim. in mm Orig. Size DIN A 4	D-Sub male connector Insulation displacement termination through holes fixing	Maßstab/ Scale 1 : 1
09 66 328 6700	25	2					Detail.	03-JUL-01	SH			
09 66 328 5700	25	0.76 µm Au						Insp.				
					29771	16-APR-02	CV	Stand.				
					29756	19-MAR-02	CV					
part number	No of contact	performance level			29692	03-JUL-01	SH					
					Mod.	Dat.	Name	HARTING ELEKTRONIK F-95972 Paris			TB 0966 328 x700 Sub.	Blatt/ Page 1 /