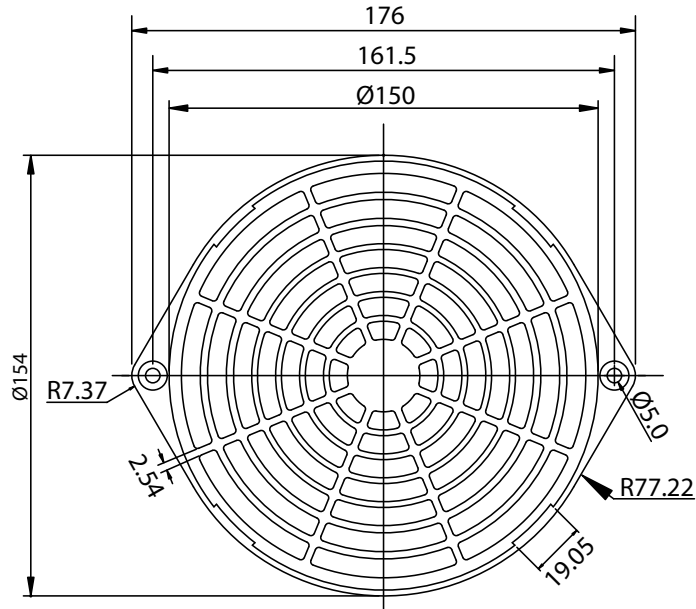
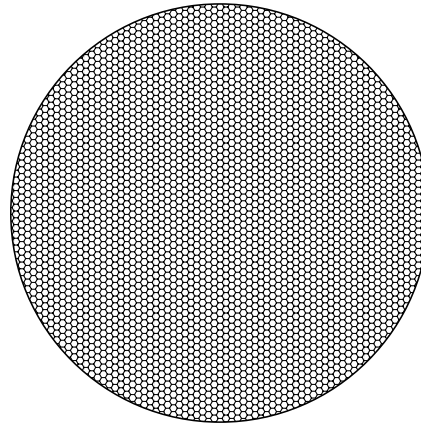


REVISION			
REV.	DESCRIPTION	DATE	APPROVED
B	RoHS Compliancy	06-01-06	DP

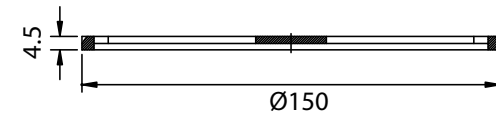
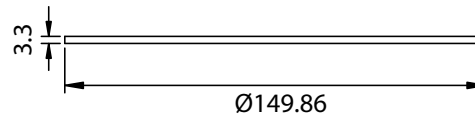
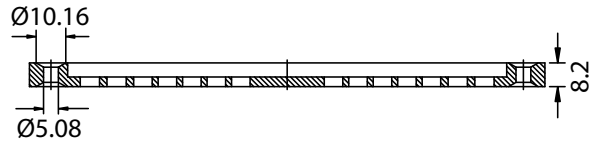
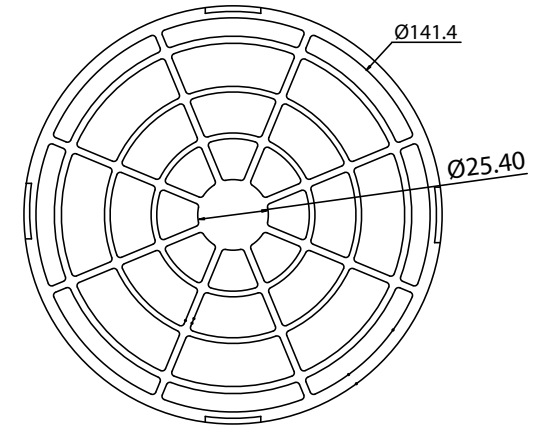
### FAN GUARD



### MEDIA



### RETAINER



#### NOTES:

MEDIA\* AVAILABLE IN:

- XX=30 PPI \*\*
- 45 PPI \*\*
- 60 PPI \*\*
- 100 PPI \*\*

\* UL 900 CLASS II

\*\* Pores Per Inch  
RoHS COMPLIANT

THESE DRAWINGS ARE THE PROPERTY OF QUALTEK ELECTRONICS AND NOT TO BE REPRODUCED FOR OR COMMUNICATED TO A THIRD PARTY WITHOUT THE EXPRESS WRITTEN PERMISSION OF AN OFFICER OF QUALTEK ELECTRONICS.

**CONTROLLED**

Dim range (mm)		Tolerance +/- (mm)	Qualtek Electronics Corp. FAN-S DIVISION	
0-5	0.1	Part Number: 09650-F/XX		RoHS Compliant
5-16	0.15	Description: PLASTIC FAN FILTER ASSEMBLY		
16-64	0.2	UNIT: mm		REV: B
64-250	0.4	Checked / Date		Approved / Date
250-1000	0.5	B. ZHANG 05-06-02		JJH / 05-06-02
1000-1500	1.0	05-06-02		