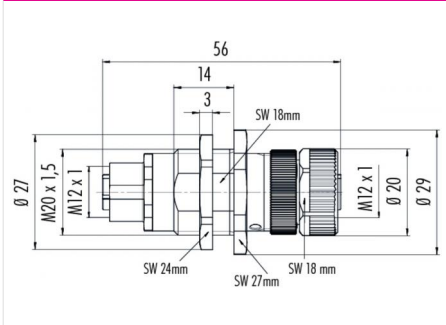


Product description	<b>M12-D adapter, Contacts: 4, shielded, pluggable, IP67, UL</b>
Area	<b>M12-D series 876</b>
Order number	<b>09 5246 00 04</b>

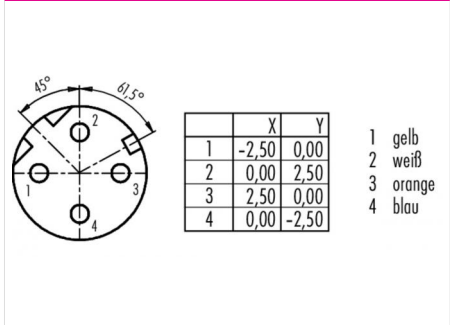
**Illustration**



**Scale drawing**



**Contact arrangement**



You can find the assembly instructions on the next page.

**Technical data**

**General values**

Connector design	adapter
Connector locking system	screw
Termination	pluggable
Upper limit temperature	85 °C
Lower limit temperature	- 40 °C
Customs tariff number	85369010
Packaging Unit	50

**Cable data**

Approval 1	UL
------------	----

**Electrical values**

Rated current (40 °C)	4 A
Rated voltage	250 V
Rated impulse voltage	2500 V
Pollution degree	3
Overvoltage category	II
Insulating material group	II
Insulation resistance	> 10 <sup>8</sup> Ω
EMC compliance	shielded
Degree of protection	IP67
Mechanical operation	> 100 Mating cycles

**Material**

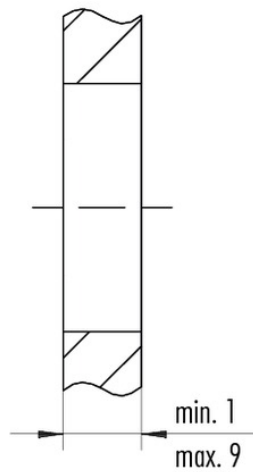
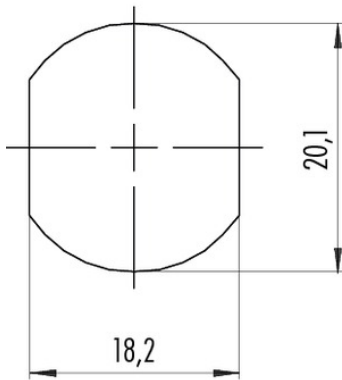
Contact material	CuZn (brass)
Contact plating	Au (gold)
Contact body material	PA

Product description **M12-D adapter, Contacts: 4, shielded, pluggable, IP67, UL**

Area **M12-D series 876**  
Order number **09 5246 00 04**

Assembly instructions / Panel cut-out

Schaltschrankdurchführung mit Durchgangsbohrung  
*Lead-through for control cabinet with bore hole*



Anzugsdrehmoment/Tightening moment  
1-1,2 Nm

Product description	<b>M12-D adapter, Contacts: 4, shielded, pluggable, IP67, UL</b>
Area	<b>M12-D series 876</b>
Order number	<b>09 5246 00 04</b>

## Security notices

The connector must not be connected or separated under load. Non-observance and incorrect use can result in personal injury.

The connectors are designed for use in plant, control system and electrical equipment. The end user is responsible for checking whether the connectors are suitable for use in other applications.

Connectors with degree of protection IP 67 and IP 68 are not suitable for use under water. When used outdoors, the connectors must be separately protected against corrosion. For further information about IP degrees of protection refer to 'Technical support' in the Download Centre.

To lock the cable connector to the equipment connector, the threaded ring is tightened until it is 'finger-tight' (approx. 50 cNm).